



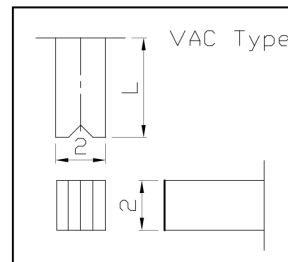
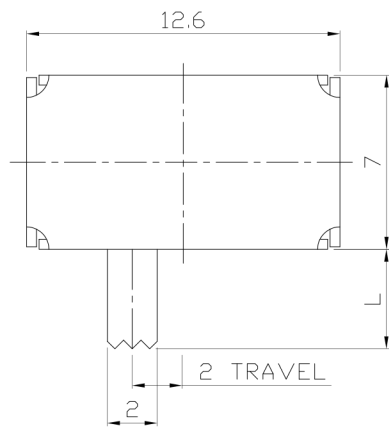
RoHS Compliant
2002/95/EC

MODEL CODE

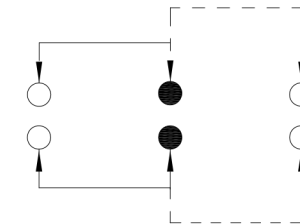
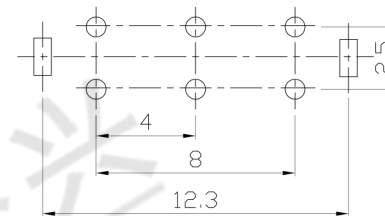
SK-22H07-GFB

REV.	ECN. NO.	APPD.

DIMENSIONS

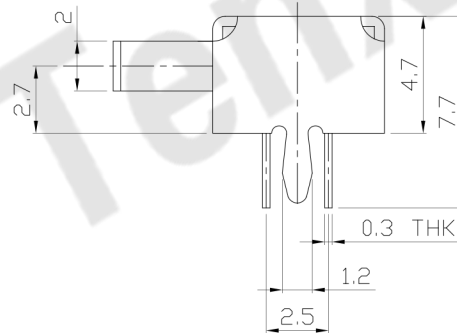
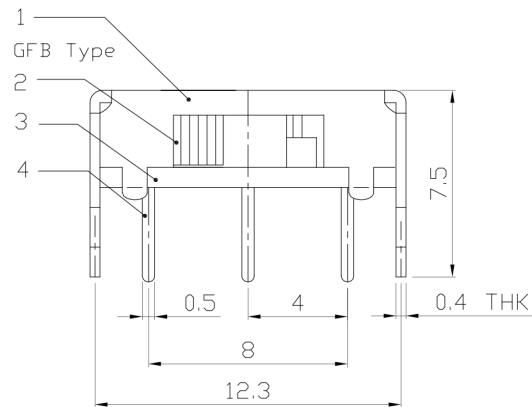


Knob Type	L(mm)
GFB	~
VAC	~



P.C.B LAYOUT
BOTTOM VIEW

CIRCUIT DIAGRAM



ELECTRO-MECHANICAL CHARACTERISTICS

Refer to additional specifications

RATING	0.3A 50V DC
CIRCUIT	2P2T
CONTACT RESISTANCE	100mΩ MAX.
TIMING	NON-SHORTING
TRAVEL	2mm
OPERATING FORCE	300±100gf
OPERATING LIFE(cycles)	10,000

8					WITHIN 1.5mm: ±0.1mm	UNITS mm
7					OVER 1.5mm: ±0.2mm	MAT'L
6	SPRING PLATE	PBS STRIP	1	NATURAL		SEE NOTE
5	CONTACT CLIP	PBS STRIP	2	Ag PLATED		
4	TERMINAL	BRASS STRIP	6	Ag PLATED		FINISH
3	BASE	PHENOLIC RESIN	1	NATURAL		SEE NOTE
2	FRAME	STEEL STRIP	1	Ni PLATED		Q'TY
1	KNOB	POM	1	BLACK		
NO.	PARTS	MATERIAL	Q'TY	FINISHING		

THESE DRAWINGS AND SPECIFICATIONS ARE THE PROPERTY OF ACCURATE INNO TECH INC AND SHALL NOT BE REPRODUCED, COPIED OR USED IN ANY MANNER WITHOUT THE PRIOR WRITTEN CONSENT OF ACCURATE INNO TECH INC.

东莞市腾兴电子有限公司

TITLE:	SLIDE SWITCH / HORIZONTAL	PART NO.:	SK-22H07
DR:	Ricky 2016/06/21	DWG NO.:	ADL-22H07
CHKD:	Ricky 2016/06/21	SCALE	SHEET
APPD:		7:2	1/1
		REV.	A
		CUSTOMER DRAWING	