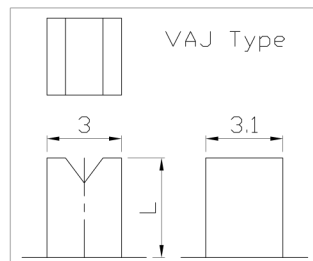
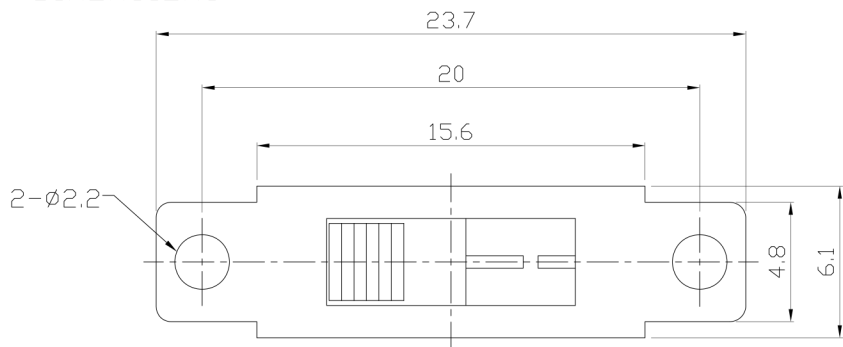




**RoHS Compliant**  
2002/95/EC

REV.	ECN. NO.	APPD.

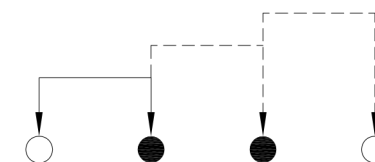
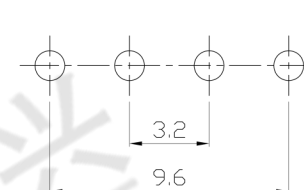
### DIMENSIONS



### MODEL CODE

SS-13F08-GFA

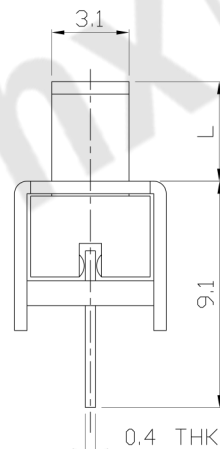
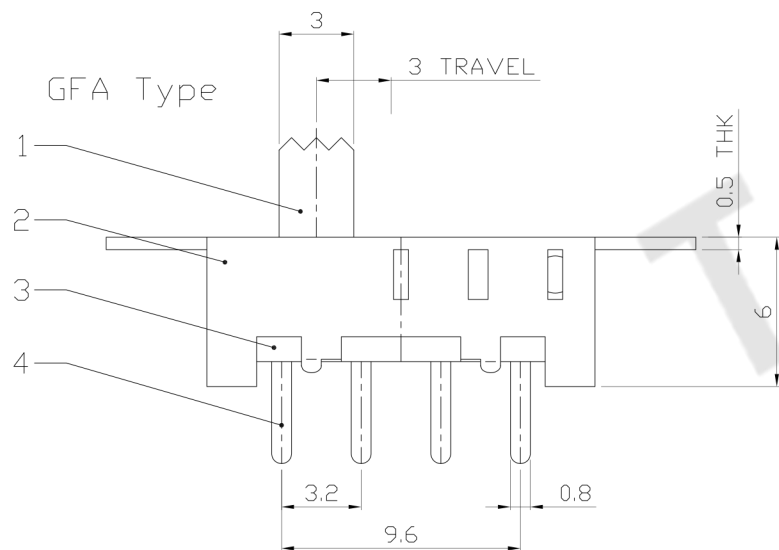
Knob Type	L(mm)
GFA	~
VAJ	



P.C.B LAYOUT  
BOTTOM VIEW

CIRCUIT DIAGRAM

GFA Type



### ELECTRO-MECHANICAL CHARACTERISTICS

Refer to additional specifications

RATING	0.5A 50V DC
CIRCUIT	1P3T
CONTACT RESISTANCE	100mΩ MAX.
TIMING	NON-SHORTING
TRAVEL	3mm
OPERATING FORCE	250±100gf
OPERATING LIFE(cycles)	10,000

NO.	PARTS	MATERIAL	Q'TY	FINISHING
8				
7	CONTACT CLIP	PBS STRIP	1	Ag PLATED
6	STEEL BALL	STEEL	1	NATURAL
5	SPRING	STEEL WIRE	1	TEMPER
4	TERMINAL	BRASS STRIP	4	Ag PLATED
3	BASE	PHENOLIC RESIN	1	NATURAL
2	FRAME	STEEL STRIP	1	Ni PLATED
1	KNOB	POM	1	BLACK
NO.	PARTS	MATERIAL	Q'TY	FINISHING

WITHIN 1.5mm: ±0.1mm  
OVER 1.5mm: ±0.2mm

THESE DRAWINGS AND SPECIFICATIONS ARE THE PROPERTY OF ACCURATE INNO TECH INC AND SHALL NOT BE REPRODUCED, COPIED OR USED IN ANY MANNER WITHOUT THE PRIOR WRITTEN CONSENT OF ACCURATE INNO TECH INC.

UNITS	mm	<b>东莞市腾兴电子有限公司</b>			
MAT'L	SEE NOTE				
FINISH	SEE NOTE	TITLE:	SLIDE SWITCH / VERTICAL		
Q'TY	SEE NOTE	DR:	Ricky 2015/07/14		
		CHKD:	Ricky 2015/07/14		
		APPD:			
		PART NO.:	SS-13F08		
		DWG NO.:	ADL-13F08		
		SCALE	SHEET	REV.	CUSTOMER DRAWING
		3:1	1/1	A	