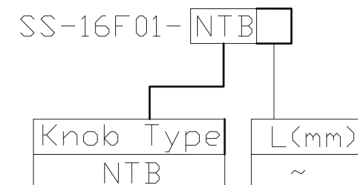




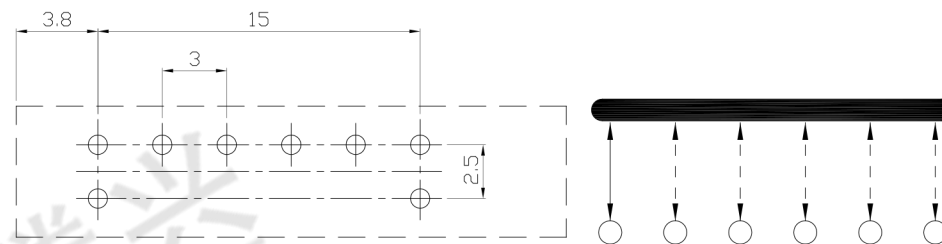
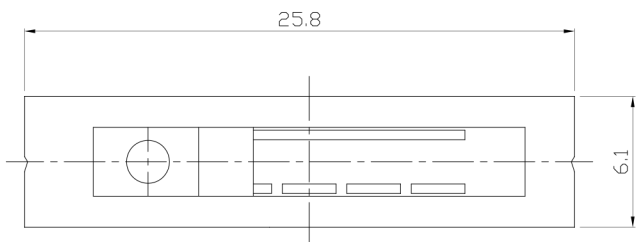
RoHS Compliant
2002/95/EC

REV.	ECN.	NO.	APPD.

MODEL CODE

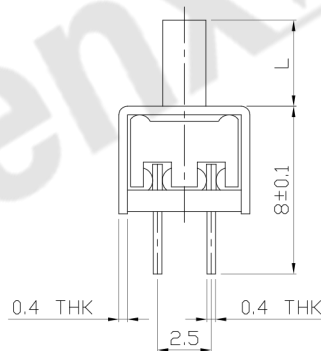
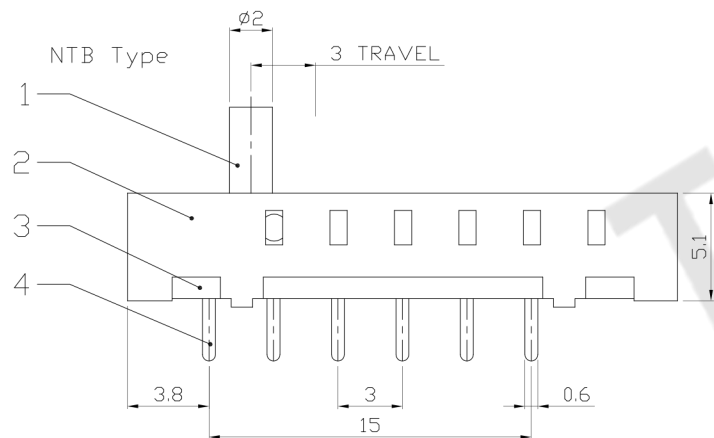


DIMENSIONS



P.C.B LAYOUT
BOTTOM VIEW

CIRCUIT DIAGRAM



ELECTRO-MECHANICAL CHARACTERISTICS

Refer to additional specifications

RATING	0.5A 50V DC
CIRCUIT	1P6T
CONTACT RESISTANCE	100mΩ MAX.
TIMING	SHORTING
TRAVEL	3mm
OPERATING FORCE	280±80gf
OPERATING LIFE(cycles)	10,000

NO.	PARTS	MATERIAL	Q'TY	FINISHING	UNITS	mm
8					WITHIN 1.5mm:	±0.1mm
7	CONTACT	BRASS STRIP	1	Ag PLATED	OVER 1.5mm:	±0.2mm
6	SPRING	STEEL WIRE	2	NATURAL		
5	STEEL BALL	STEEL	1	NATURAL		
4	TERMINAL	BRASS STRIP	8	Ag PLATED		
3	BASE	PHENOLIC RESIN	1	NATURAL		
2	FRAME	STEEL STRIP	1	Ni PLATED		
1	KNOB	POM	1	BLACK		

THESE DRAWINGS AND SPECIFICATIONS ARE THE PROPERTY OF ACCURATE INNO TECH INC AND SHALL NOT BE REPRODUCED, COPIED OR USED IN ANY MANNER WITHOUT THE PRIOR WRITTEN CONSENT OF ACCURATE INNO TECH INC.



东莞市腾兴电子有限公司

TITLE:	SLIDE SWITCH / VERTICAL	PART NO.:	SS-16F01
DR:	Ricky 2016/02/17	DWG NO.:	ADL-16F01
CHKD:	Ricky 2016/02/17	SCALE	5:2
APPD:		SHEET	1/1
		REV.	A
		CUSTOMER DRAWING	