



**RoHS Compliant**  
2002/95/EC

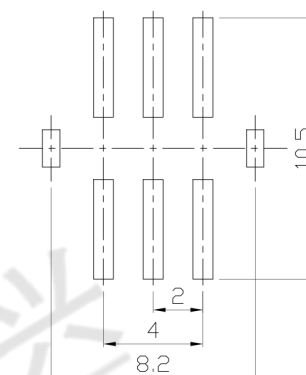
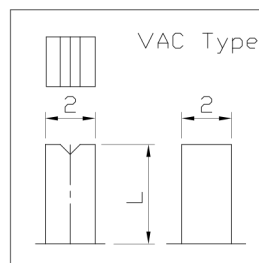
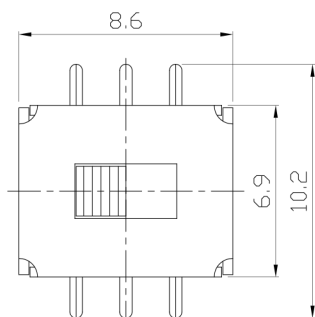
REV.	ECN.	NO.	APPD.

MODEL CODE

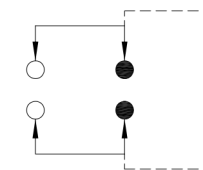
SS-22D10-**GFB**

Knob Type	L(mm)
GFB	~
VAC	

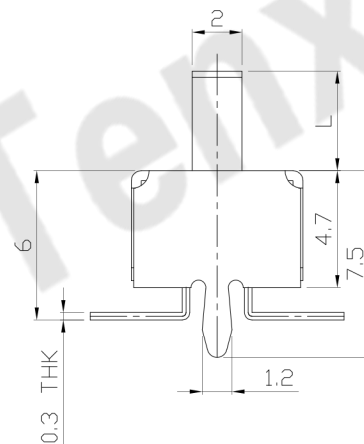
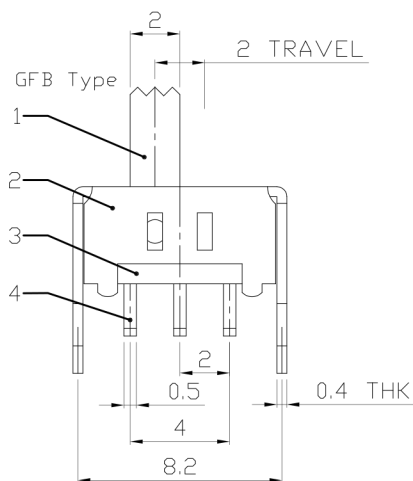
**DIMENSIONS**



P.C.B LAYOUT  
BOTTOM VIEW



CIRCUIT DIAGRAM



**ELECTRO-MECHANICAL CHARACTERISTICS**

Refer to additional specifications

RATING	0.3A 50V DC
CIRCUIT	2P2T
CONTACT RESISTANCE	100mΩ MAX.
TIMING	NON-SHORTING
TRAVEL	2mm
OPERATING FORCE	250±100gf
OPERATING LIFE(cycles)	10,000

8					
7					
6	SPRING PLATE	SUS	1	NATURAL	WITHIN 1.5mm: ±0.1mm
5	CONTACT CLIP	PBS STRIP	2	Ag PLATED	OVER 1.5mm: ±0.2mm
4	TERMINAL	BRASS STRIP	6	Ag PLATED	
3	BASE	PHENOLIC RESIN	1	NATURAL	
2	FRAME	STEEL STRIP	1	Ni PLATED	
1	KNOB	POM	1	BLACK	
NO.	PARTS	MATERIAL	Q'TY	FINISHING	

THESE DRAWINGS AND SPECIFICATIONS ARE THE PROPERTY OF ACCURATE INNOVATION INC AND SHALL NOT BE REPRODUCED, COPIED OR USED IN ANY MANNER WITHOUT THE PRIOR WRITTEN CONSENT OF ACCURATE INNOVATION INC.

UNITS	mm	<b>东莞市腾兴电子有限公司</b>			
MAT'L	SEE NOTE				
FINISH	SEE NOTE	TITLE:	SLIDE SWITCH / VERTICAL		
Q'TY	SEE NOTE	DR:	Ricky 2015/09/01		
		CHKD:	Ricky 2015/09/01		
		APPD:			
		PART NO.:	SS-22D10		
		DWG NO.:	ADL-22D10		
		SCALE	SHEET	REV.	CUSTOMER DRAWING
		4:1	1/1	A	