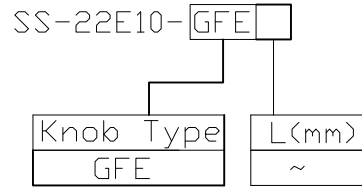




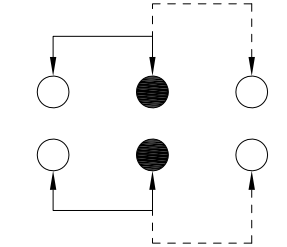
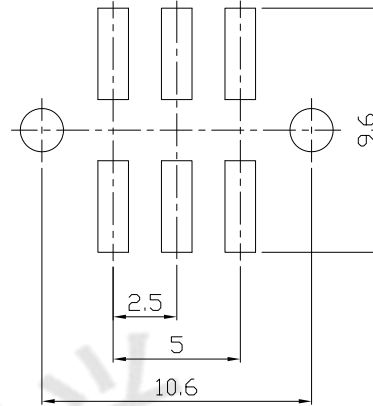
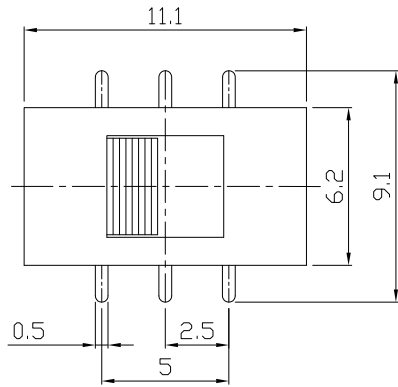
RoHS
Compliant
2002/95/EC

REV.	ECN.	NO.	APPD.

MODEL CODE

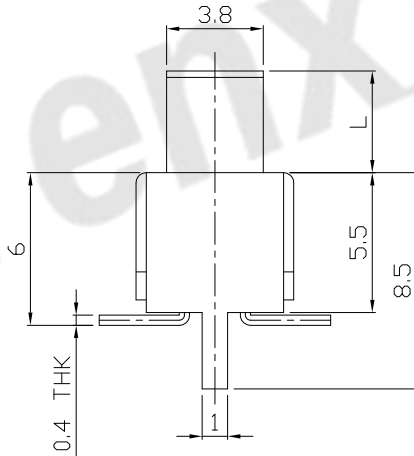
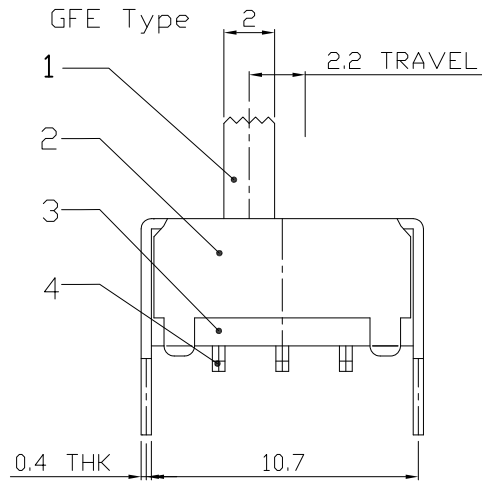


DIMENSIONS



P.C.B LAYOUT
BOTTOM VIEW

CIRCUIT DIAGRAM



ELECTRO-MECHANICAL CHARACTERISTICS

Refer to additional specifications

RATING	0.5A 50V DC
CIRCUIT	2P2T
CONTACT RESISTANCE	100mΩ MAX.
TIMING	NON-SHORTING
TRAVEL	2.2mm
OPERATING FORCE	180±80gf
OPERATING LIFE(cycles)	10,000

8					WITHIN 1.5mm: ±0.1mm	UNITS	mm	东莞市腾兴电子有限公司					
7					OVER 1.5mm: ±0.2mm	MAT'L							
6	SPRING	STEEL WIRE	2	NATURAL		SEE NOTE	TITLE:	SLIDE SWITCH / VERTICAL					
5	CONTACT	BRASS STRIP	2	Ag PLATED			PART NO.:	SS-22E10					
4	TERMINAL	BRASS STRIP	6	Ag PLATED			DR:	Ricky 2015/09/01		DWG NO.:		ADL-22E10	
3	BASE	PHENOLIC RESIN	1	NATURAL			CHKD:	Ricky 2015/09/01		SCALE	SHEET	REV.	CUSTOMER
2	FRAME	STEEL STRIP	1	Ni PLATED			APPD:			3:1	1/1	A	DRAWING
1	KNOB	POM	1	BLACK									
NO.	PARTS	MATERIAL	Q'TY	FINISHING									

THESE DRAWINGS AND SPECIFICATIONS ARE THE PROPERTY OF ACCURATE INNOTECH INC AND SHALL NOT BE REPRODUCED, COPIED OR USED IN ANY MANNER WITHOUT THE PRIOR WRITTEN CONSENT OF ACCURATE INNOTECH INC.

