



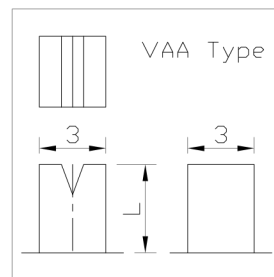
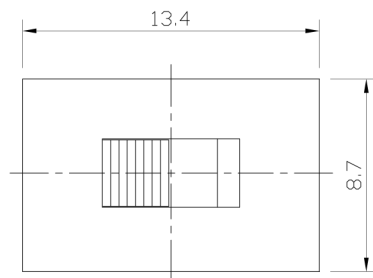
RoHS Compliant
2002/95/EC

MODEL CODE

SS-22F04-GBG

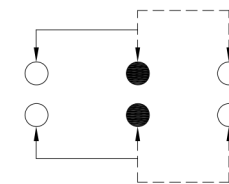
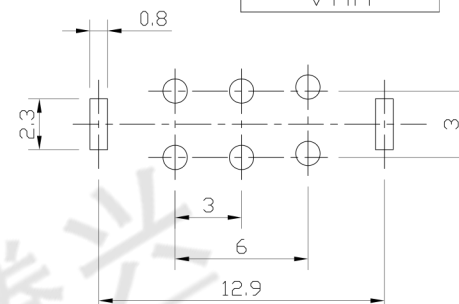
REV.	ECN. NO.	APPD.

DIMENSIONS



Knob Type
GBG
VAA

L(mm)
~



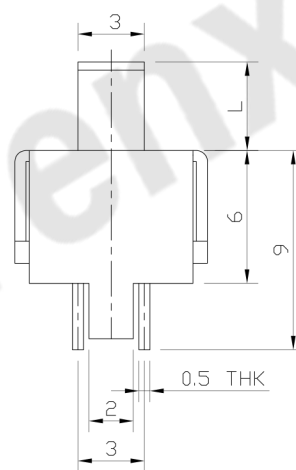
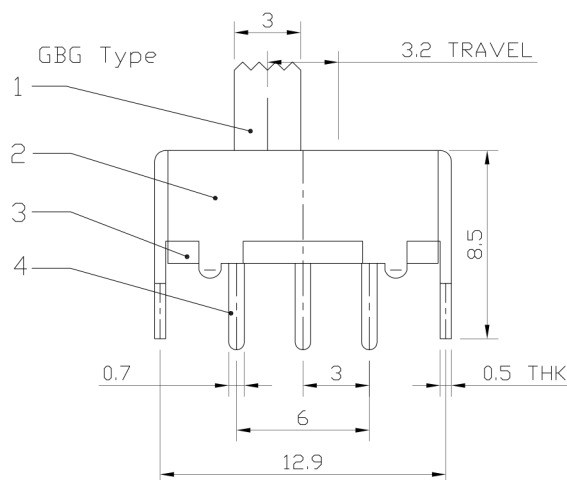
P.C.B LAYOUT
BOTTOM VIEW

CIRCUIT DIAGRAM

ELECTRO-MECHANICAL CHARACTERISTICS

Refer to additional specifications

RATING	0.5A 50V DC
CIRCUIT	2P2T
CONTACT RESISTANCE	100mΩ MAX.
TIMING	NO SHORTING
TRAVEL	3.2mm
OPERATING FORCE	180±100gf
OPERATING LIFE(cycles)	10,000



8					WITHIN 1.5mm: ±0.1mm	UNITS	mm	东莞市腾兴电子有限公司 TITLE: SLIDE SWITCH / VERTICAL PART NO.: SS-22F04 DR: Ricky 2015/05/26 DWG NO.: ADL-22F04 CHKD: Ricky 2015/05/26 APPD: SCALE: 3:1 SHEET: 1/1 REV: A CUSTOMER DRAWING
7					OVER 1.5mm: ±0.2mm	MAT'L		
6	SPRING	STEEL WIRE	2	NATURAL		SEE NOTE		
5	CONTACT	BRASS STRIP	2	Ag PLATED				
4	TERMINAL	BRASS STRIP	6	Ag PLATED		FINISH		
3	BASE	PHENOLIC RESIN	1	NATURAL		SEE NOTE		
2	FRAME	STEEL STRIP	1	Ni PLATED		Q'TY		
1	KNOB	POM	1	BLACK				
NO.	PARTS	MATERIAL	Q'TY	FINISHING				

THESE DRAWINGS AND SPECIFICATIONS ARE THE PROPERTY OF ACCURATE INNO TECH INC AND SHALL NOT BE REPRODUCED, COPIED OR USED IN ANY MANNER WITHOUT THE PRIOR WRITTEN CONSENT OF ACCURATE INNO TECH INC.

