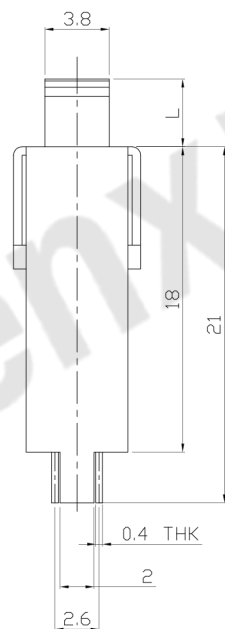
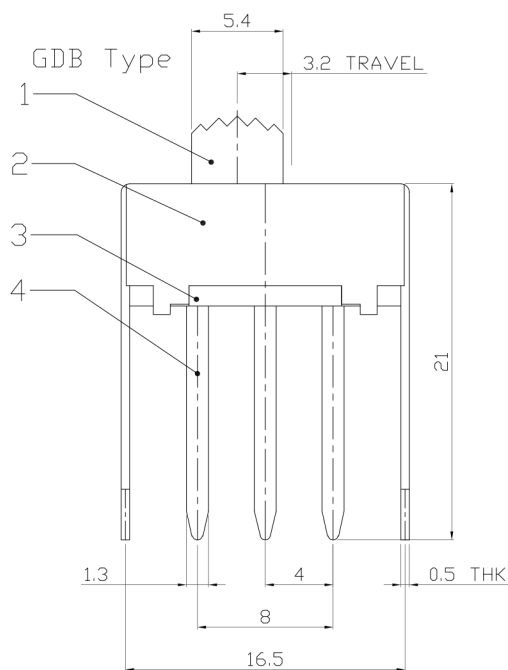
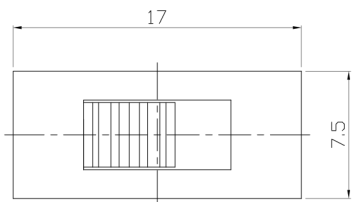




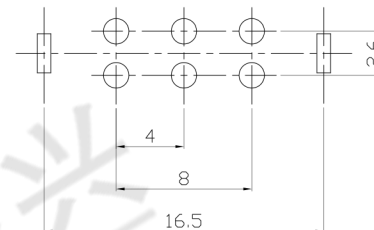
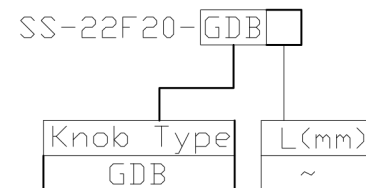
RoHS
Compliant
2002/95/EC

REV.	ECN.	NO.	APPD.

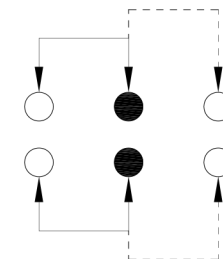
DIMENSIONS



MODEL CODE



P.C.B LAYOUT
BOTTOM VIEW



CIRCUIT DIAGRAM

ELECTRO-MECHANICAL CHARACTERISTICS

Refer to additional specifications

RATING	0.5A 50V AC
CIRCUIT	2P2T
CONTACT RESISTANCE	100mΩ MAX.
TIMING	NON-SHORTING
TRAVEL	3.2mm
OPERATING FORCE	180±80gf
OPERATING LIFE(cycles)	10,000

8					WITHIN 1.5mm: ±0.1mm	UNITS	mm	东莞市腾兴电子有限公司 TITLE: SLIDE SWITCH / VERTICAL PART NO.: SS-22F20 DR: Ricky 2015/09/02 DWG NO.: ADL-22F20 CHKD: Ricky 2015/09/02 APPD: SCALE: 2:1 SHEET: 1/1 REV: A CUSTOMER DRAWING
7					OVER 1.5mm: ±0.2mm	MAT'L		
6	SPRING	STEEL WIRE	2	NATURAL		SEE NOTE		
5	CONTACT	BRASS	2	Ag PLATED				
4	TERMINAL	BRASS STRIP	6	Ag PLATED				
3	BASE	PHENOLIC RESIN	1	NATURAL		FINISH		
2	FRAME	STEEL STRIP	1	Ni PLATED		SEE NOTE		
1	KNOB	POM	1	BLACK		Q'TY		
NO.	PARTS	MATERIAL	Q'TY	FINISHING				

THESE DRAWINGS AND SPECIFICATIONS ARE THE PROPERTY OF ACCURATE INNOVATECH INC AND SHALL NOT BE REPRODUCED, COPIED OR USED IN ANY MANNER WITHOUT THE PRIOR WRITTEN CONSENT OF ACCURATE INNOVATECH INC.

