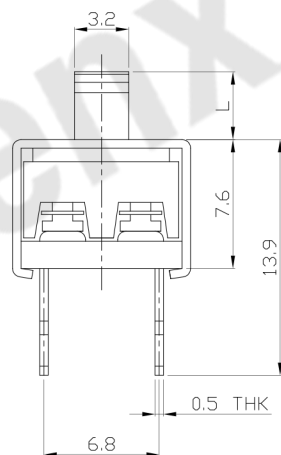
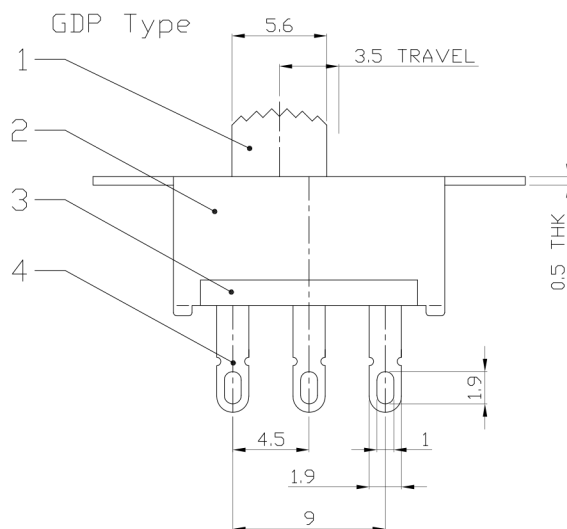
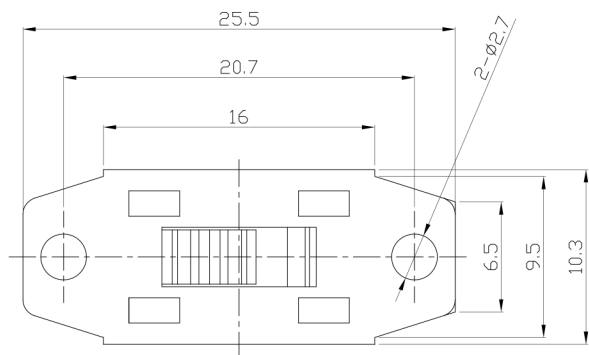




**RoHS Compliant**  
2002/95/EC

REV.	ECN. NO.	APPD.

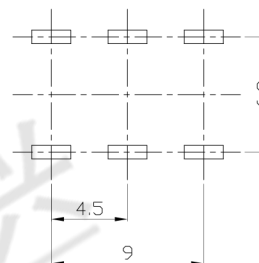
### DIMENSIONS



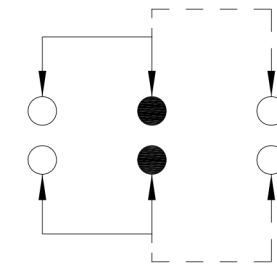
### MODEL CODE

SS-22G08- GDP

Knob Type	L(mm)
GDP	~



P.C.B LAYOUT  
BOTTOM VIEW



CIRCUIT DIAGRAM

### ELECTRO-MECHANICAL CHARACTERISTICS

Refer to additional specifications

RATING	1A 125V AC
CIRCUIT	2P2T
CONTACT RESISTANCE	100mΩ MAX.
TIMING	NON-SHORTING
TRAVEL	3.5mm
OPERATING FORCE	250±100gf
OPERATING LIFE(cycles)	10,000

8					WITHIN 1.5mm: ±0.1mm	UNITS	mm	<b>东莞市腾兴电子有限公司</b> TITLE: SLIDE SWITCH / VERTICAL PART NO.: SS-22G08 DR: Ricky 2015/09/02 DWG NO.: ADL-22G08 CHKD: Ricky 2015/09/02 APPD:
7					OVER 1.5mm: ±0.2mm	MAT'L		
6	SPRING PLATE	PBS STRIP	2	NATURAL		SEE NOTE		
5	CONTACT	COPPER STRIP	2	Ag PLATED				
4	TERMINAL	BRASS STRIP	6	Ag PLATED				
3	BASE	PHENOLIC RESIN	1	BLACK		FINISH		
2	FRAME	STEEL STRIP	1	Ni PLATED		SEE NOTE		
1	KNOB	POM	1	BLACK		Q'TY		
NO.	PARTS	MATERIAL	Q'TY	FINISHING				SCALE SHEET REV. CUSTOMER DRAWING
								2:1 1/1 A

THESE DRAWINGS AND SPECIFICATIONS ARE THE PROPERTY OF ACCURATE INNOVATION INC AND SHALL NOT BE REPRODUCED, COPIED OR USED IN ANY MANNER WITHOUT THE PRIOR WRITTEN CONSENT OF ACCURATE INNOVATION INC.

