



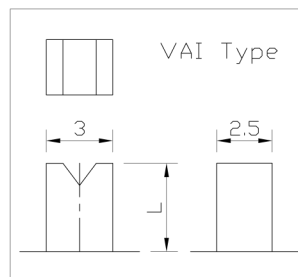
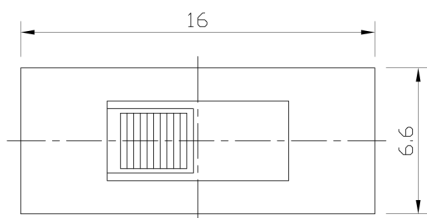
RoHS
Compliant
2002/95/EC

MODEL CODE

SS-22H05-GBF

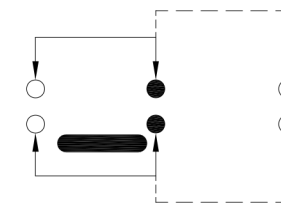
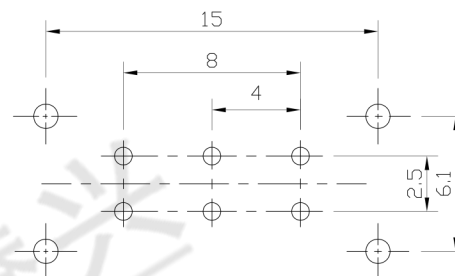
REV.	ECN. NO.	APPD.

DIMENSIONS



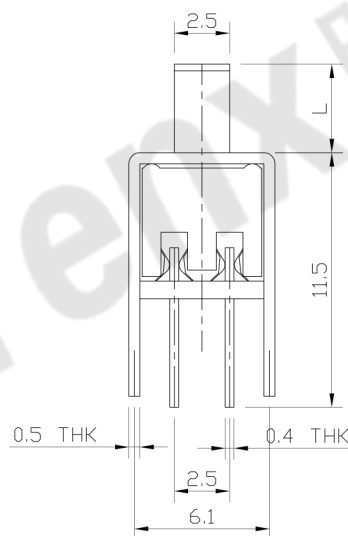
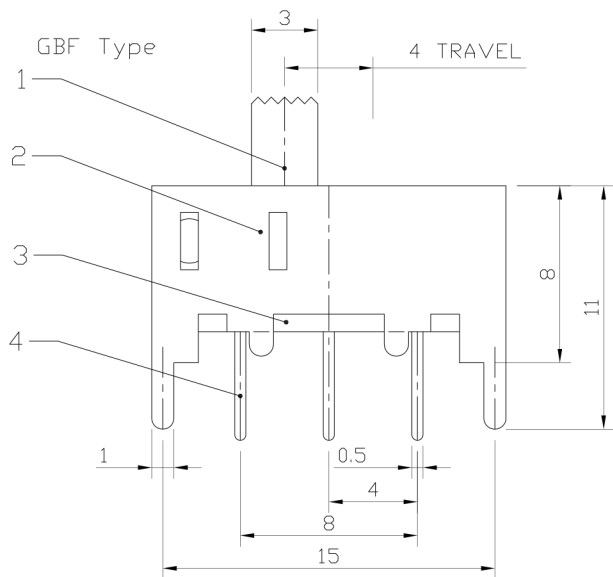
Knob Type
GBF
VAI

L(mm)
~



P.C.B LAYOUT
BOTTOM VIEW

CIRCUIT DIAGRAM



ELECTRO-MECHANICAL CHARACTERISTICS

Refer to additional specifications

RATING	0.3A 50V DC
CIRCUIT	2P2T
CONTACT RESISTANCE	100mΩ MAX.
TIMING	NON-SHORTING
TRAVEL	4mm
OPERATING FORCE	250±100gf
OPERATING LIFE(cycles)	10,000

NO.	PARTS	MATERIAL	Q'TY	FINISHING
8				WITHIN 1.5mm: ±0.1mm
7	STEEL BALL	STEEL	1	NATURAL
6	SPRING	STEEL WIRE	1	NATURAL
5	CONTACT CLIP	PBS STRIP	2	Ag PLATED
4	TERMINAL	BRASS STRIP	6	Ag PLATED
3	BASE	PHENOLIC RESIN	1	NATURAL
2	FRAME	STEEL STRIP	1	Ni PLATED
1	KNOB	POM	1	BLACK
NO.	PARTS	MATERIAL	Q'TY	FINISHING

THESE DRAWINGS AND SPECIFICATIONS ARE THE PROPERTY OF ACCURATE INNOVATION INC AND SHALL NOT BE REPRODUCED, COPIED OR USED IN ANY MANNER WITHOUT THE PRIOR WRITTEN CONSENT OF ACCURATE INNOVATION INC.

UNITS mm			
OVER 1.5mm: ±0.2mm			
MAT'L SEE NOTE			
FINISH SEE NOTE			
Q'TY			
东莞市腾兴电子有限公司 TITLE: SLIDE SWITCH / VERTICAL DR: Ricky 2015/05/28 CHKD: Ricky 2015/05/28 APPD:		PART NO.: SS-22H05	
		DWG NO.: ADL-22H05	
SCALE	SHEET	REV.	CUSTOMER DRAWING
3:1	1/1	A	