



RoHS Compliant
2002/95/EC

REV.	ECN. NO.	APPD.

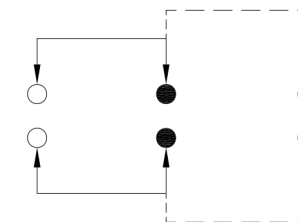
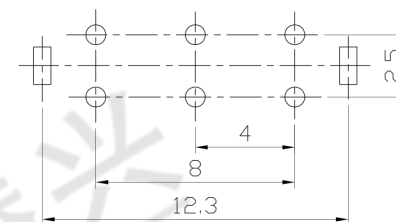
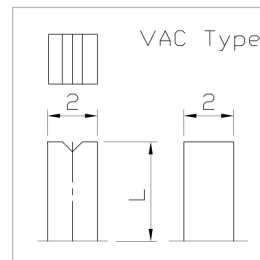
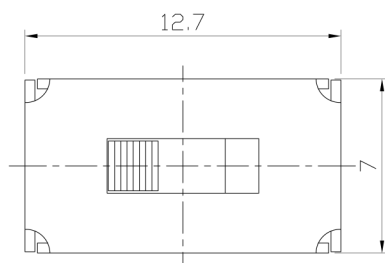
MODEL CODE

SS-22H06-GEE

Knob Type
GEE
VAC

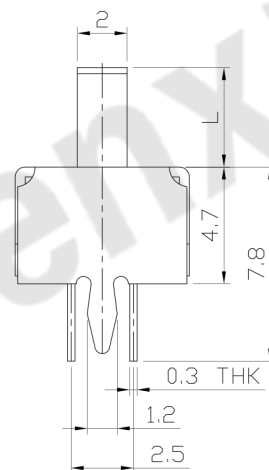
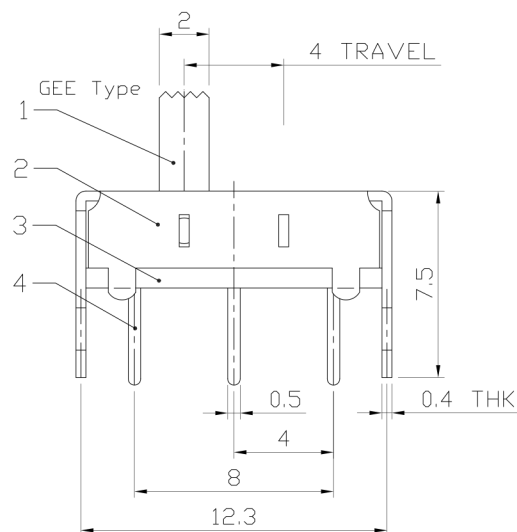
L(mm)
~

DIMENSIONS



P.C.B LAYOUT
BOTTOM VIEW

CIRCUIT DIAGRAM



ELECTRO-MECHANICAL CHARACTERISTICS

Refer to additional specifications

RATING	0.3A 50V DC
CIRCUIT	2P2T
CONTACT RESISTANCE	100mΩ MAX.
TIMING	NON-SHORTING
TRAVEL	4mm
OPERATING FORCE	200±50gf
OPERATING LIFE(cycles)	10,000

8					
7					
6	SPRING PLATED	SUS	1	NATURAL	WITHIN 1.5mm: ±0.1mm
5	CONTACT CLIP	PBS STRIP	2	Ag PLATED	OVER 1.5mm: ±0.2mm
4	TERMINAL	BRASS STRIP	6	Ag PLATED	
3	BASE	PHENOLIC RESIN	1	NATURAL	
2	FRAME	STEEL STRIP	1	Ni PLATED	
1	KNOB	POM	1	BLACK	
NO.	PARTS	MATERIAL	Q'TY	FINISHING	

THESE DRAWINGS AND SPECIFICATIONS ARE THE PROPERTY OF ACCURATE INNOVATION INC AND SHALL NOT BE REPRODUCED, COPIED OR USED IN ANY MANNER WITHOUT THE PRIOR WRITTEN CONSENT OF ACCURATE INNOVATION INC.

东莞市腾兴电子有限公司			
TITLE: SLIDE SWITCH / VERTICAL		PART NO.: SS-22H06	
DR: Ricky 2015/05/28		DWG NO.: ADL-22H06	
CHKD: Ricky 2015/05/28		SCALE: 7:2	SHEET: 1/1
APPD:		REV.: A	CUSTOMER DRAWING