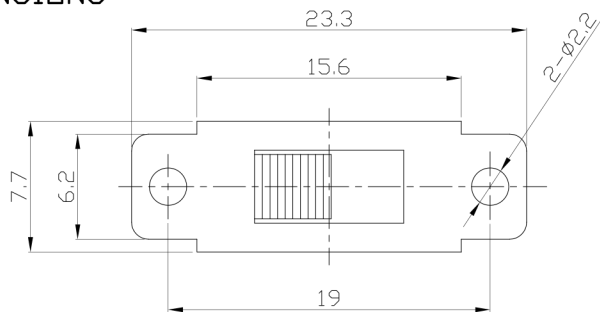




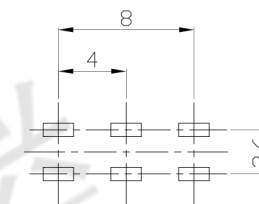
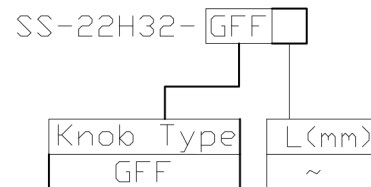
**RoHS Compliant**  
2002/95/EC

REV.	ECN.	NO.	APPD.

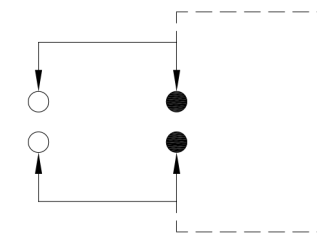
### DIMENSIONS



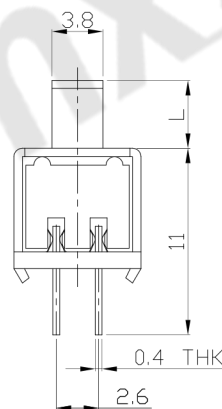
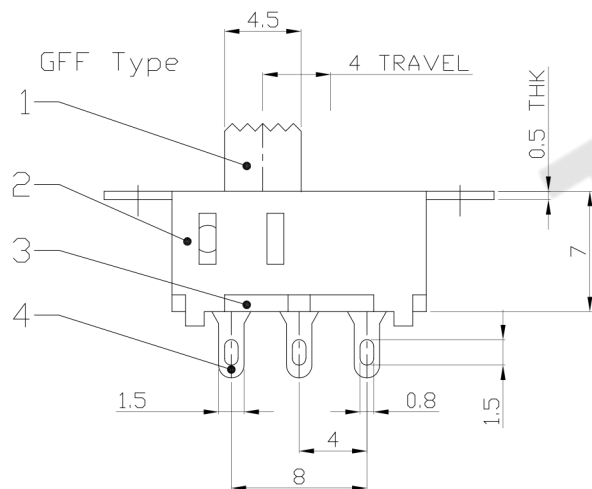
### MODEL CODE



P.C.B LAYOUT  
BOTTOM VIEW



CIRCUIT DIAGRAM



### ELECTRO-MECHANICAL CHARACTERISTICS

Refer to additional specifications

RATING	0.5A 50V DC
CIRCUIT	2P3T
CONTACT RESISTANCE	100mΩ MAX.
TIMING	NON-SHORTING
TRAVEL	4mm
OPERATING FORCE	250±100gf
OPERATING LIFE(cycles)	10,000

8					WITHIN 1.5mm: ±0.1mm	UNITS mm
7	STEEL BALL	STEEL	1	NATURAL	OVER 1.5mm: ±0.2mm	MAT'L
6	SPRING	STEEL WIRE	1	NATURAL		SEE NOTE
5	CONTACT CLIP	PBS STRIP	2	Ag PLATED		FINISH
4	TERMINAL	BRASS STRIP	6	Ag PLATED		SEE NOTE
3	BASE	PHENOLIC RESIN	1	NATURAL		Q'TY
2	FRAME	STEEL STRIP	1	BLACK		
1	KNOB	POM	1	BLACK		
NO.	PARTS	MATERIAL	Q'TY	FINISHING		

THESE DRAWINGS AND SPECIFICATIONS ARE THE PROPERTY OF ACCURATE INNOVATECH INC AND SHALL NOT BE REPRODUCED, COPIED OR USED IN ANY MANNER WITHOUT THE PRIOR WRITTEN CONSENT OF ACCURATE INNOVATECH INC.



## 东莞市腾兴电子有限公司

TITLE: SLIDE SWITCH / VERTICAL	PART NO.:	SS-22H32	
DR: <i>Ricky</i> 2015/09/03	DWG NO.:	ADL-22H32	
CHKD: <i>Ricky</i> 2015/09/03	SCALE	SHEET	REV.
APPD:	2:1	1/1	A
			CUSTOMER DRAWING