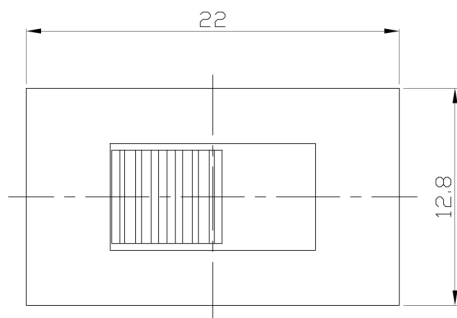




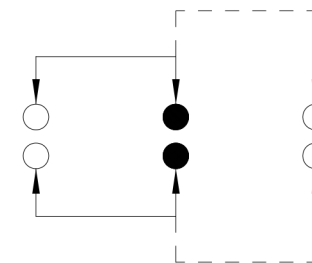
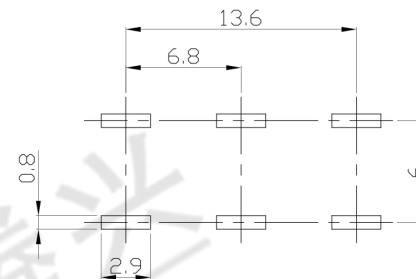
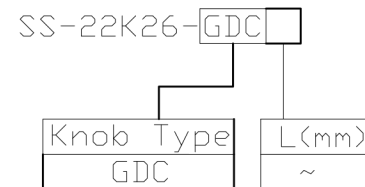
RoHS Compliant
2002/95/EC

REV.	ECN. NO.	APPD.

DIMENSIONS

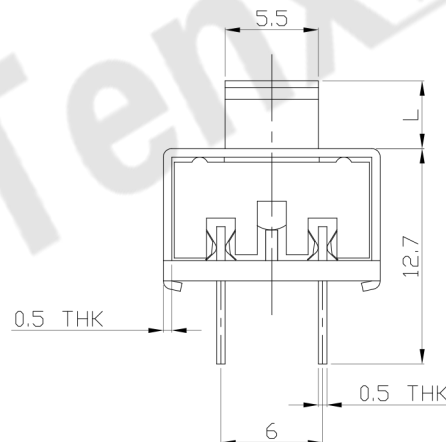
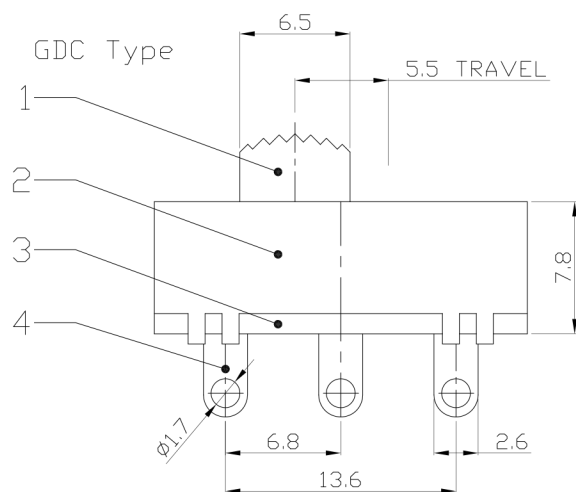


MODEL CODE



P.C.B LAYOUT
BOTTOM VIEW

CIRCUIT DIAGRAM



ELECTRO-MECHANICAL CHARACTERISTICS

Refer to additional specifications

RATING	0.3A 50V DC
CIRCUIT	2P2T
CONTACT RESISTANCE	100mΩ MAX.
TIMING	NON-SHORTING
TRAVEL	5.5mm
OPERATING FORCE	300±100gf
OPERATING LIFE(cycles)	10,000

8	CONTACT CLIP	PBS STRIP	2	Ag PLATED	WITHIN 1.5mm: ±0.1mm	UNITS	mm
7	POSITION PLATE	STEEL STRIP	1	Ni PLATED	OVER 1.5mm: ±0.2mm	MAT'L	SEE NOTE
6	STEEL BALL	STEEL	1	NATURAL		FINISH	SEE NOTE
5	SPRING	STEEL WIRE	1	NATURAL		Q'TY	
4	TERMINAL	BRASS STRIP	6	Ag PLATED			
3	BASE	PHENOLIC RESIN	1	NATURAL			
2	FRAME	STEEL STRIP	1	Ni PLATED			
1	KNOB	POM	1	BLACK			
NO.	PARTS	MATERIAL	Q'TY	FINISHING			

THESE DRAWINGS AND SPECIFICATIONS ARE THE PROPERTY OF ACCURATE INNO TECH INC AND SHALL NOT BE REPRODUCED, COPIED OR USED IN ANY MANNER WITHOUT THE PRIOR WRITTEN CONSENT OF ACCURATE INNO TECH INC.

东莞市腾兴电子有限公司

TITLE:	SLIDE SWITCH / VERTICAL	PART NO.:	SS-22K26
DR:	Ricky 2015/09/04	DWG NO.:	ADL-22K26
CHKD:	Ricky 2015/09/04	SCALE	2:1
APPD:		SHEET	1/1
		REV.	A
		CUSTOMER DRAWING	