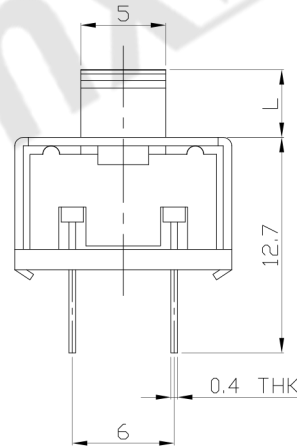
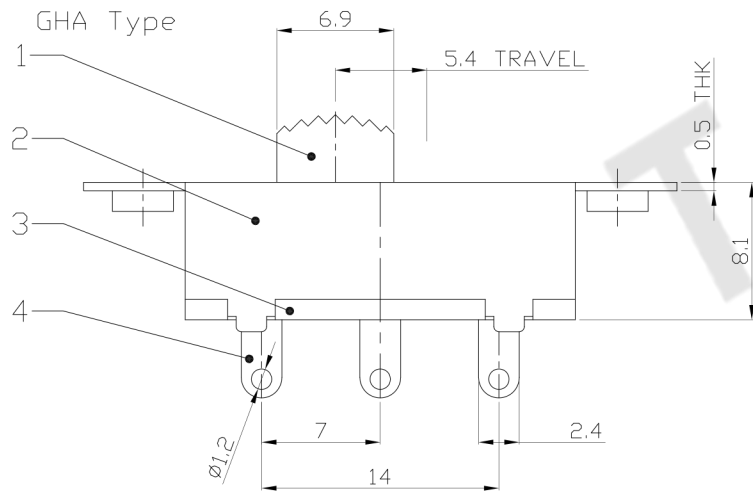
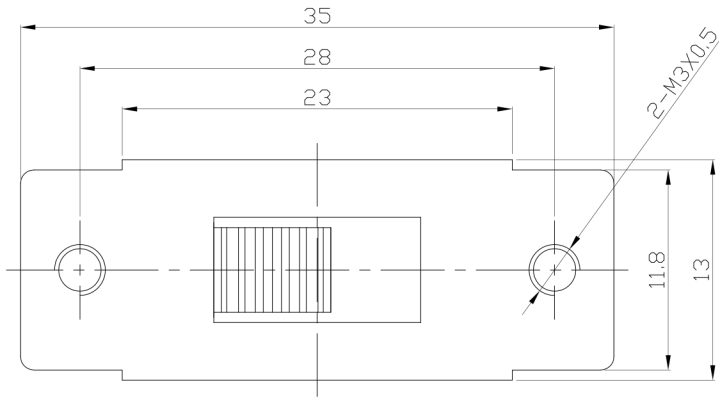




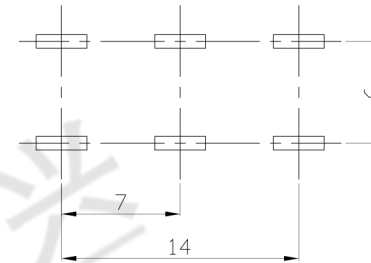
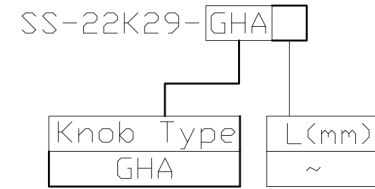
**RoHS Compliant**  
2002/95/EC

REV.	ECN. NO.	APPD.

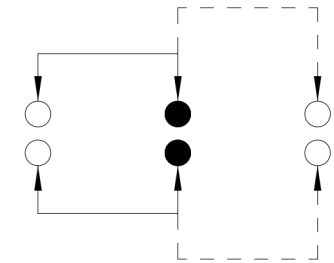
### DIMENSIONS



### MODEL CODE



P.C.B LAYOUT  
BOTTOM VIEW



CIRCUIT DIAGRAM

### ELECTRO-MECHANICAL CHARACTERISTICS

Refer to additional specifications

RATING	0.3A 50V DC
CIRCUIT	2P2T
CONTACT RESISTANCE	100mΩ MAX.
TIMING	NON-SHORTING
TRAVEL	5.4mm
OPERATING FORCE	300±100gf
OPERATING LIFE(cycles)	10,000

8					WITHIN 1.5mm: ±0.1mm	UNITS mm
7					OVER 1.5mm: ±0.2mm	MAT'L
6	CONTACT CLIP	BRASS STRIP	2	Ag PLATED		SEE NOTE
5	SPRING	STEEL WIRE	2	NATURAL		
4	TERMINAL	BRASS STRIP	6	Ag PLATED		FINISH
3	BASE	PHENOLIC RESIN	1	NATURAL		SEE NOTE
2	FRAME	STEEL STRIP	1	Ni PLATED		Q'TY
1	KNOB	POM	1	BLACK		
NO.	PARTS	MATERIAL	Q'TY	FINISHING		

THESE DRAWINGS AND SPECIFICATIONS ARE THE PROPERTY OF ACCURATE INNOVATECH INC AND SHALL NOT BE REPRODUCED, COPIED OR USED IN ANY MANNER WITHOUT THE PRIOR WRITTEN CONSENT OF ACCURATE INNOVATECH INC.



### 东莞市腾兴电子有限公司

TITLE:	SLIDE SWITCH / VERTICAL	PART NO.:	SS-22K29
DR:	Ricky 2015/09/04	DWG NO.:	ADL-22K29
CHKD:	Ricky 2015/09/04	SCALE	2:1
APPD:		SHEET	1/1
		REV.	A
		CUSTOMER DRAWING	