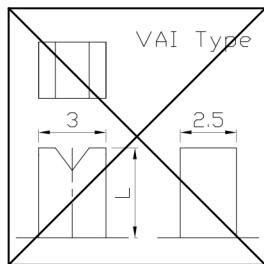
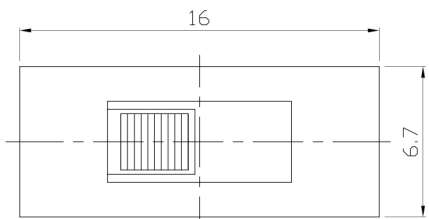




RoHS  
Compliant  
2002/95/EC

### DIMENSIONS



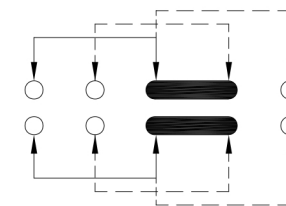
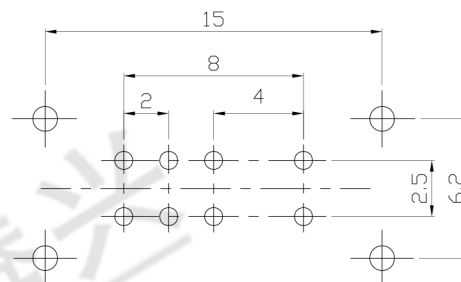
### MODEL CODE

SS-23D03-GBF



L(mm)	~
-------	---

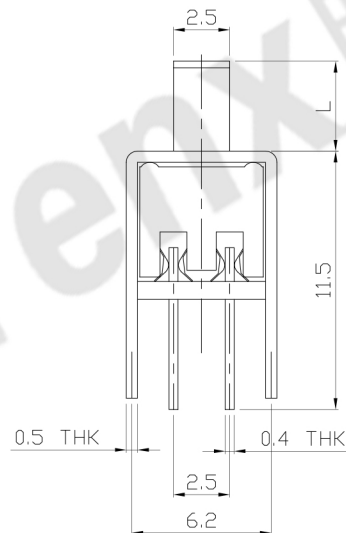
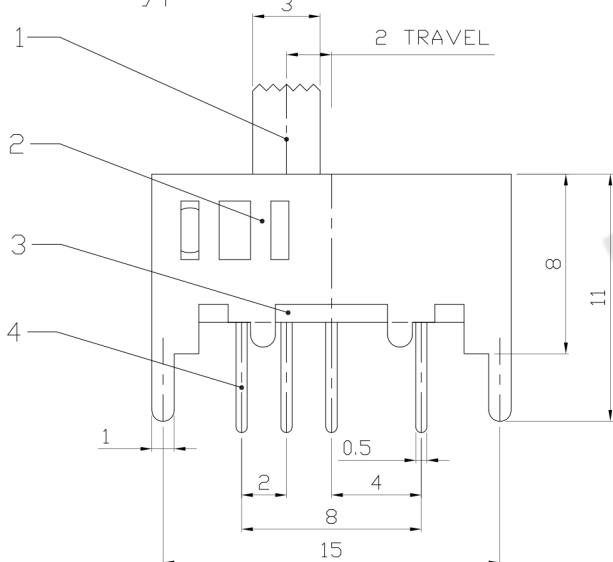
REV.	ECN.	NO.	APPD.



P.C.B LAYOUT  
BOTTOM VIEW

CIRCUIT DIAGRAM

### GBF Type



### ELECTRO-MECHANICAL CHARACTERISTICS

Refer to additional specifications

RATING	0.3A 50V DC
CIRCUIT	2P3T
CONTACT RESISTANCE	100mΩ MAX.
TIMING	SHORTING
TRAVEL	2mm
OPERATING FORCE	250±100gf
OPERATING LIFE(cycles)	10,000

8					
7	STEEL BALL	STEEL	1	NATURAL	WITHIN 1.5mm: ±0.1mm
6	SPRING	STEEL WIRE	1	NATURAL	OVER 1.5mm: ±0.2mm
5	CONTACT CLIP	PBS STRIP	2	Ag PLATED	
4	TERMINAL	BRASS STRIP	8	Ag PLATED	
3	BASE	PHENOLIC RESIN	1	NATURAL	
2	FRAME	STEEL STRIP	1	Ni PLATED	
1	KNOB	POM	1	BLACK	
NO.	PARTS	MATERIAL	Q'TY	FINISHING	

THESE DRAWINGS AND SPECIFICATIONS ARE THE PROPERTY OF ACCURATE INNO TECH INC AND SHALL NOT BE REPRODUCED, COPIED OR USED IN ANY MANNER WITHOUT THE PRIOR WRITTEN CONSENT OF ACCURATE INNO TECH INC.

UNITS	mm	东莞市腾兴电子有限公司			
MAT'L	SEE NOTE				
FINISH	SEE NOTE	TITLE:	SLIDE SWITCH / VERTICAL	PART NO.:	SS-23D03
Q'TY	SEE NOTE	DR:	Ricky 2015/09/09	DWG NO.:	ADL-23D03
		CHKD:	Ricky 2015/09/09	SCALE	3:1
		APPD:		SHEET	1/1
				REV.	A
				CUSTOMER DRAWING	