



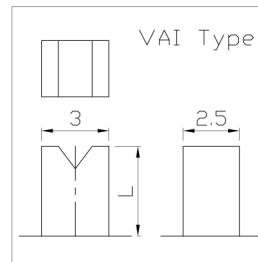
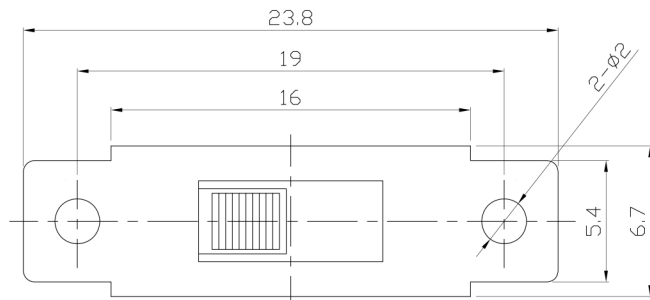
RoHS
Compliant
2002/95/EC

MODEL CODE

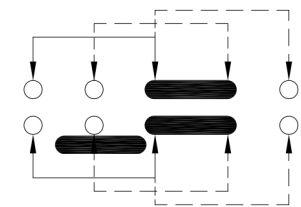
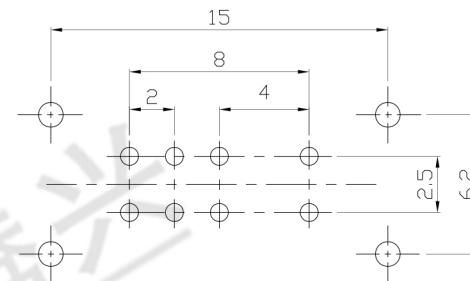
SS-23D04-GBF

REV.	ECN. NO.	APPD.

DIMENSIONS



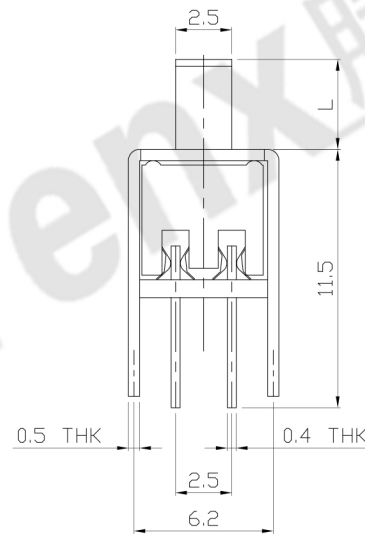
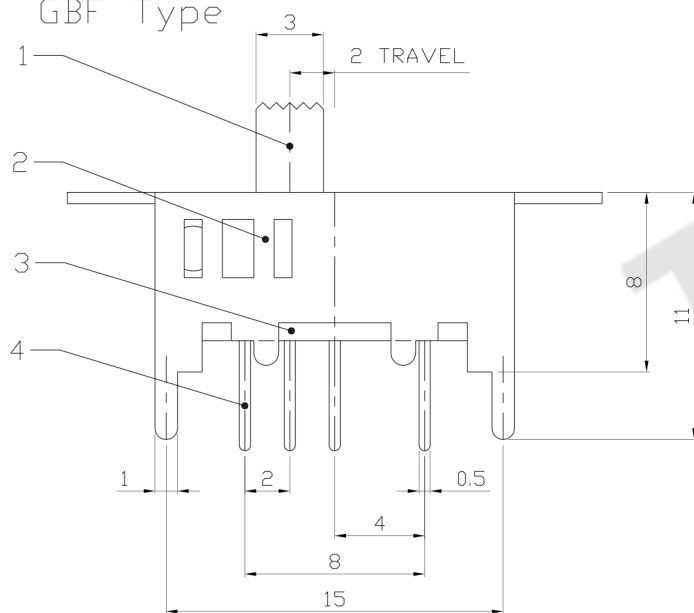
Knob Type	L(mm)
GBF	~
VAI	



P.C.B LAYOUT
BOTTOM VIEW

CIRCUIT DIAGRAM

GBF Type



ELECTRO-MECHANICAL CHARACTERISTICS

Refer to additional specifications

RATING	0.3A 50V DC
CIRCUIT	2P3T
CONTACT RESISTANCE	100mΩ MAX.
TIMING	SHORTING
TRAVEL	2mm
OPERATING FORCE	250±100gf
OPERATING LIFE(cycles)	10,000

NO.	PARTS	MATERIAL	Q'TY	FINISHING
8				
7	STEEL BALL	STEEL	2	NATURAL
6	SPRING	STEEL WIRE	1	NATURAL
5	CONTACT CLIP	PBS STRIP	2	Ag PLATED
4	TERMINAL	BRASS STRIP	8	Ag PLATED
3	BASE	PHENOLIC RESIN	1	NATURAL
2	FRAME	STEEL STRIP	1	Ni PLATED
1	KNOB	POM	1	BLACK

WITHIN 1.5mm: ±0.1mm
OVER 1.5mm: ±0.2mm

UNITS mm

MAT'L SEE NOTE

FINISH SEE NOTE

Q'TY

THESE DRAWINGS AND SPECIFICATIONS ARE THE PROPERTY OF ACCURATE INNOVATECH INC AND SHALL NOT BE REPRODUCED, COPIED OR USED IN ANY MANNER WITHOUT THE PRIOR WRITTEN CONSENT OF ACCURATE INNOVATECH INC.

东莞市腾兴电子有限公司

TITLE: SLIDE SWITCH / VERTICAL	PART NO.:	SS-23D04	
DR: <i>Ricky</i> 2015/09/04	DWG NO.:	ADL-23D04	
CHKD: <i>Ricky</i> 2015/09/04	SCALE	SHEET	REV.
APPD:	3:1	1/1	A
			CUSTOMER DRAWING