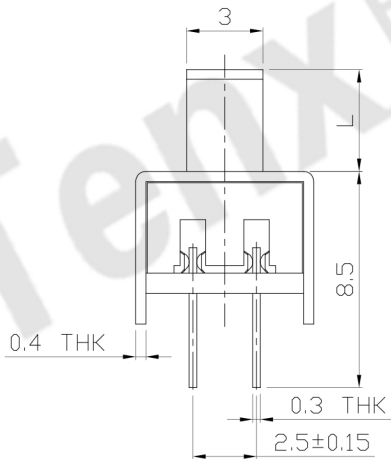
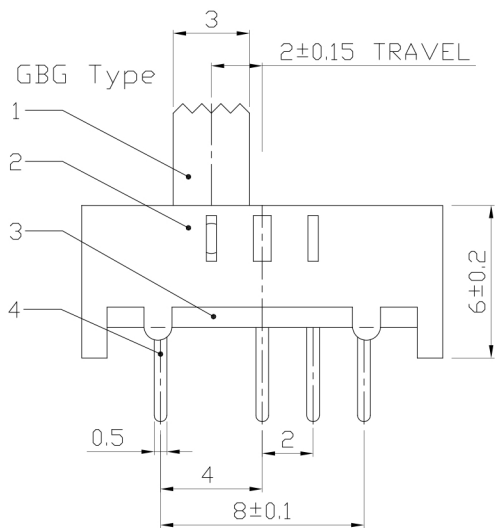
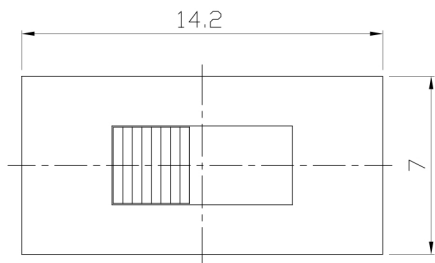


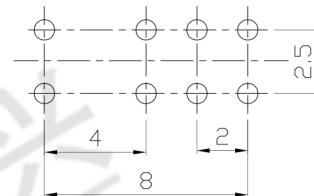
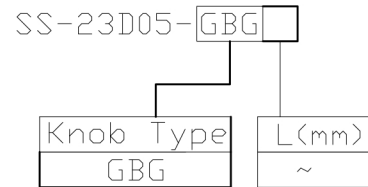


**RoHS Compliant**  
2002/95/EC

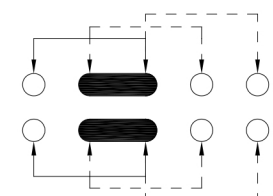
**DIMENSIONS**



**MODEL CODE**



P.C.B LAYOUT  
BOTTOM VIEW



CIRCUIT DIAGRAM

**ELECTRO-MECHANICAL CHARACTERISTICS**

Refer to additional specifications

RATING	0.3A 50V DC
CIRCUIT	2P3T
CONTACT RESISTANCE	100mΩ MAX.
TIMING	SHORTING
TRAVEL	2±0.15mm
OPERATING FORCE	250±100gf
OPERATING LIFE(cycles)	10,000

8					WITHIN 1.5mm: ±0.1mm	UNITS	mm	<b>东莞市腾兴电子有限公司</b> TITLE: SLIDE SWITCH / VERTICAL PART NO.: SS-23D05 DR: Ricky 2015/09/07 DWG NO.: ADL-23D05 CHKD: Ricky 2015/09/07 APPD:
7					OVER 1.5mm: ±0.2mm	MAT'L		
6	SPRING WIRE	PBS STRIP	2	NATURAL		SEE NOTE		
5	CONTACT CLIP	PBS STRIP	2	Ag PLATED				
4	TERMINAL	BRASS STRIP	8	Ag PLATED				
3	BASE	PHENOLIC RESIN	1	NATURAL		FINISH		
2	FRAME	STEEL STRIP	1	Ni PLATED		SEE NOTE		
1	KNOB	POM	1	BLACK		Q'TY		
NO.	PARTS	MATERIAL	Q'TY	FINISHING				SCALE SHEET REV. CUSTOMER DRAWING
								4:1 1/1 A

THESE DRAWINGS AND SPECIFICATIONS ARE THE PROPERTY OF ACCURATE INNOVATECH INC AND SHALL NOT BE REPRODUCED, COPIED OR USED IN ANY MANNER WITHOUT THE PRIOR WRITTEN CONSENT OF ACCURATE INNOVATECH INC.

