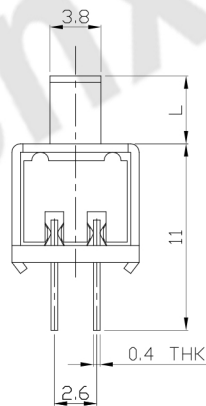
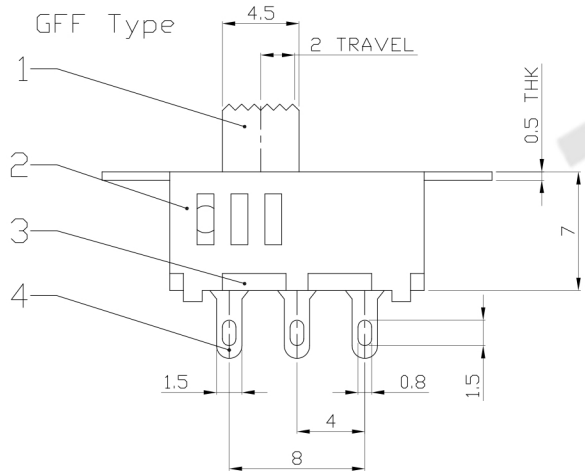
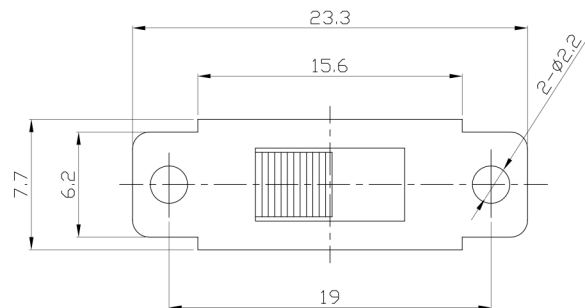


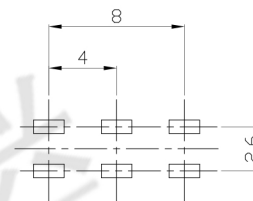
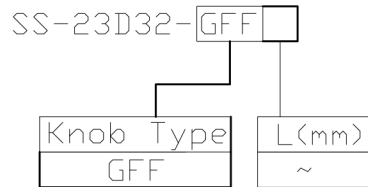


**RoHS Compliant**  
2002/95/EC

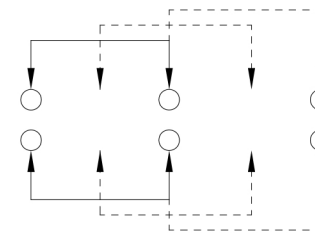
**DIMENSIONS**



**MODEL CODE**



P.C.B LAYOUT  
BOTTOM VIEW



CIRCUIT DIAGRAM

**ELECTRO-MECHANICAL CHARACTERISTICS**

Refer to additional specifications

RATING	0.3A 50V DC
CIRCUIT	2P3T
CONTACT RESISTANCE	30mΩ MAX.
TIMING	NON-SHORTING
TRAVEL	2mm
OPERATING FORCE	250±100gf
OPERATING LIFE(cycles)	10,000

NO.	PARTS	MATERIAL	Q'TY	FINISHING
8				
7	STEEL BALL	STEEL	1	NATURAL
6	SPRING	STEEL WIRE	1	NATURAL
5	CONTACT CLIP	PBS STRIP	2	Ag PLATED
4	TERMINAL	BRASS STRIP	6	Ag PLATED
3	BASE	PHENOLIC RESIN	1	NATURAL
2	FRAME	STEEL STRIP	1	BLACK
1	KNOB	POM	1	BLACK
NO.	PARTS	MATERIAL	Q'TY	FINISHING

THESE DRAWINGS AND SPECIFICATIONS ARE THE PROPERTY OF ACCURATE INNO TECH INC AND SHALL NOT BE REPRODUCED, COPIED OR USED IN ANY MANNER WITHOUT THE PRIOR WRITTEN CONSENT OF ACCURATE INNO TECH INC.

WITHIN 1.5mm: ±0.1mm	UNITS	mm	<b>东莞市腾兴电子有限公司</b>			
OVER 1.5mm: ±0.2mm	MAT'L					
	SEE NOTE		TITLE:	SLIDE SWITCH / VERTICAL		
			DR:	Ricky 2015/09/07		
			CHKD:	Ricky 2015/09/07		
			APPD:			
			PART NO.:	SS-23D32		
			DWG NO.:	ADL-23D32		
			SCALE	SHEET	REV.	CUSTOMER DRAWING
			2:1	1/1	A	