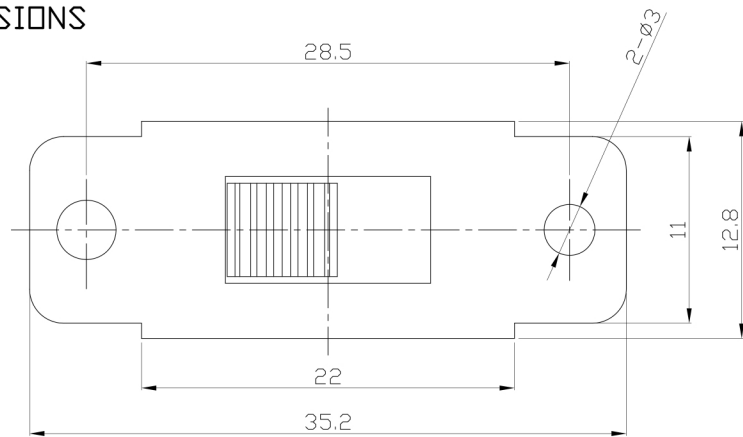




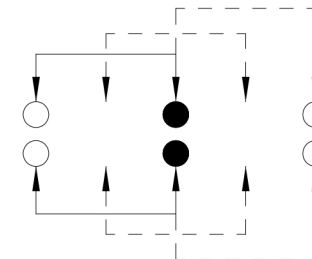
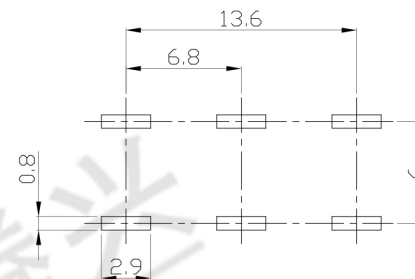
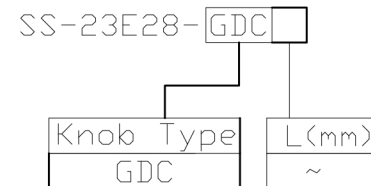
RoHS
Compliant
2002/95/EC

REV.	ECN. NO.	APPD.

DIMENSIONS



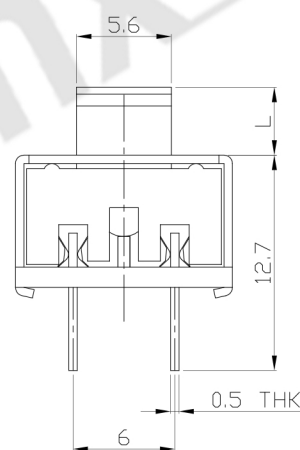
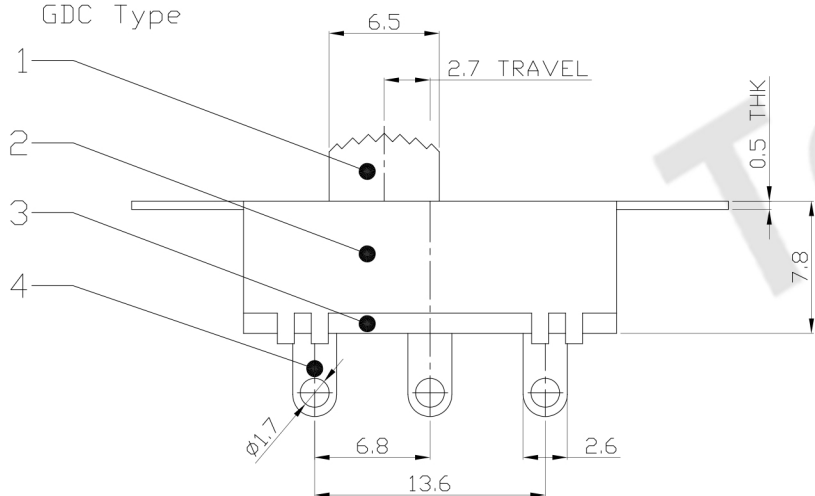
MODEL CODE



P.C.B LAYOUT
BOTTOM VIEW

CIRCUIT DIAGRAM

GDC Type



ELECTRO-MECHANICAL CHARACTERISTICS

Refer to additional specifications

RATING	1.5A 250V AC
CIRCUIT	2P3T
CONTACT RESISTANCE	100mΩ MAX.
TIMING	NON-SHORTING
TRAVEL	2.7mm
OPERATING FORCE	400±100gf
OPERATING LIFE(cycles)	10,000

NO.	PARTS	MATERIAL	Q'TY	FINISHING	UNITS
8	CONTACT CLIP	PBS STRIP	2	Ag PLATED	WITHIN 1.5mm: ±0.1mm
7	POSITION PLATE	STEEL STRIP	1	Ni PLATED	OVER 1.5mm: ±0.2mm
6	STEEL BALL	STEEL	1	NATURAL	
5	SPRING	STEEL WIRE	1	NATURAL	
4	TERMINAL	BRASS STRIP	6	Ag PLATED	
3	BASE	PHENOLIC RESIN	1	NATURAL	
2	FRAME	STEEL STRIP	1	Ni PLATED	
1	KNOB	POM	1	BLACK	
NO.	PARTS	MATERIAL	Q'TY	FINISHING	

THESE DRAWINGS AND SPECIFICATIONS ARE THE PROPERTY OF ACCURATE INNO TECH INC AND SHALL NOT BE REPRODUCED, COPIED OR USED IN ANY MANNER WITHOUT THE PRIOR WRITTEN CONSENT OF ACCURATE INNO TECH INC.

<p>东莞市腾兴电子有限公司</p>			
DR: <i>Ricky</i> 2015/09/08		DWG NO.:	
CHKD: <i>Ricky</i> 2015/09/08		ADL-23E28	
APPD:	SCALE	SHEET	REV.
	2:1	1/1	A
CUSTOMER DRAWING			