

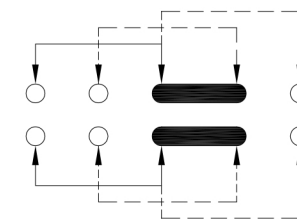
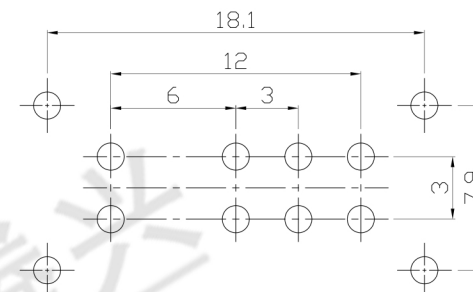
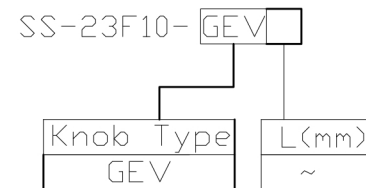
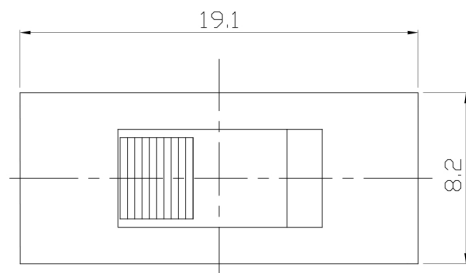


RoHS
Compliant
2002/95/EC

MODEL CODE

| REV. | ECN. NO. | APPD. |
|------|----------|-------|
| | | |
| | | |

DIMENSIONS



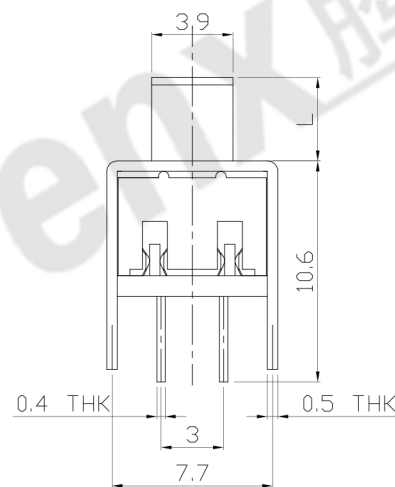
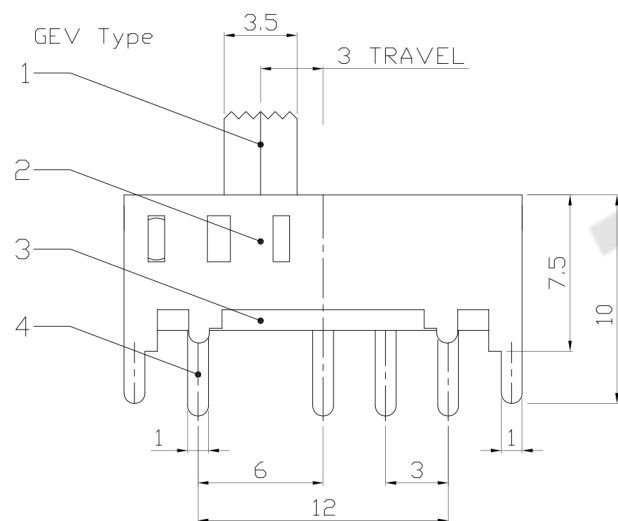
P.C.B LAYOUT
BOTTOM VIEW

CIRCUIT DIAGRAM

ELECTRO-MECHANICAL CHARACTERISTICS

Refer to additional specifications

| | |
|------------------------|-------------|
| RATING | 0.3A 50V DC |
| CIRCUIT | 2P3T |
| CONTACT RESISTANCE | 100mΩ MAX. |
| TIMING | SHORTING |
| TRAVEL | 3mm |
| OPERATING FORCE | 400±100gf |
| OPERATING LIFE(cycles) | 10,000 |



| | | | | | |
|-----|--------------|----------------|------|-----------|----------------------|
| 8 | | | | | |
| 7 | STEEL BALL | STEEL | 1 | NATURAL | WITHIN 1.5mm: ±0.1mm |
| 6 | SPRING | STEEL WIRE | 1 | NATURAL | OVER 1.5mm: ±0.2mm |
| 5 | CONTACT CLIP | PBS STRIP | 2 | Ag PLATED | |
| 4 | TERMINAL | BRASS STRIP | 8 | Ag PLATED | |
| 3 | BASE | PHENOLIC RESIN | 1 | NATURAL | |
| 2 | FRAME | STEEL STRIP | 1 | Ni PLATED | |
| 1 | KNOB | POM | 1 | BLACK | |
| NO. | PARTS | MATERIAL | Q'TY | FINISHING | |

THESE DRAWINGS AND SPECIFICATIONS ARE THE PROPERTY OF ACCURATE INNO TECH INC AND SHALL NOT BE REPRODUCED, COPIED OR USED IN ANY MANNER WITHOUT THE PRIOR WRITTEN CONSENT OF ACCURATE INNO TECH INC.

| | | | | | |
|--------|----------|--------------------|-------------------------|------|------------------|
| UNITS | mm | 东莞市腾兴电子有限公司 | | | |
| MAT'L | SEE NOTE | | | | |
| FINISH | SEE NOTE | TITLE: | SLIDE SWITCH / VERTICAL | | |
| Q'TY | SEE NOTE | DR: | Ricky 2015/10/07 | | |
| | | CHKD: | Ricky 2015/10/07 | | |
| | | APPD: | | | |
| | | PART NO.: | SS-23F10 | | |
| | | DWG NO.: | ADL-23F10 | | |
| | | SCALE | SHEET | REV. | CUSTOMER DRAWING |
| | | 3:1 | 1/1 | A | |