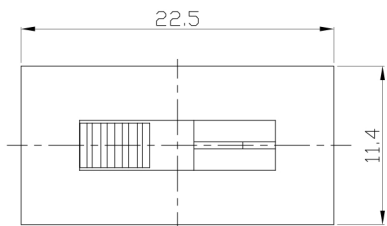




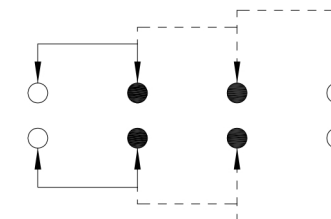
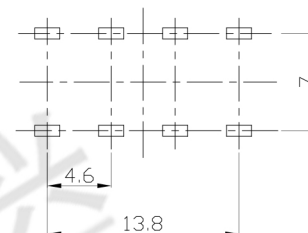
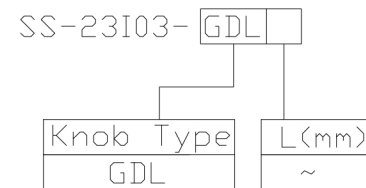
RoHS
Compliant
2002/95/EC

REV.	ECN. NO.	APPD.

DIMENSIONS

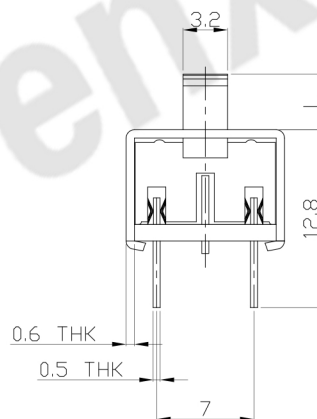
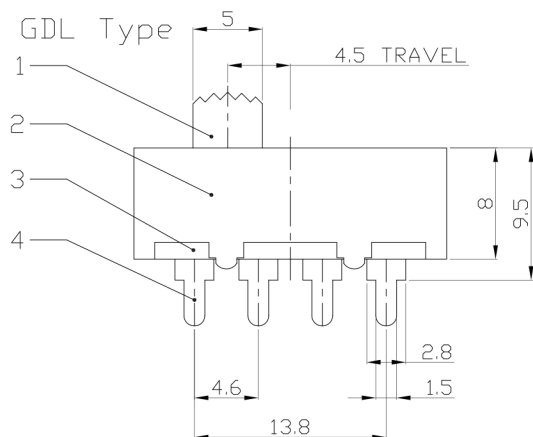


MODEL CODE



P.C.B LAYOUT
BOTTOM VIEW

CIRCUIT DIAGRAM



ELECTRO-MECHANICAL CHARACTERISTICS

Refer to additional specifications

RATING	1.5A 125V AC
CIRCUIT	2P3T
CONTACT RESISTANCE	100mΩ MAX.
TIMING	SHORTING
TRAVEL	4.5mm
OPERATING FORCE	450±100gf
OPERATING LIFE(cycles)	10,000

8	SPRING PLATE	STEEL STRIP	1	Ni PLATED	WITHIN 1.5mm: ±0.1mm
7	SPRING	STEEL STRIP	1	NATURAL	OVER 1.5mm: ±0.2mm
6	CONTACT CLIP	PBS STRIP	2	Ag PLATED	
5	STEEL BALL	STEEL	1	NATURAL	
4	TERMINAL	BRASS STRIP	8	Ag PLATED	
3	BASE	PHENOLIC RESIN	1	BLACK	
2	FRAME	STEEL STRIP	1	Ni PLATED	
1	KNOB	POM	1	BLACK	
NO.	PARTS	MATERIAL	Q'TY	FINISHING	

THESE DRAWINGS AND SPECIFICATIONS ARE THE PROPERTY OF ACCURATE INNO TECH INC AND SHALL NOT BE REPRODUCED, COPIED OR USED IN ANY MANNER WITHOUT THE PRIOR WRITTEN CONSENT OF ACCURATE INNO TECH INC.

UNITS	mm	东莞市腾兴电子有限公司			
MAT'L	SEE NOTE				
FINISH	SEE NOTE	TITLE:	SLIDE SWITCH / VERTICAL		
Q'TY	SEE NOTE	DR:	Ricky 2015/10/13		
		CHKD:	Ricky 2015/10/13		
		APPD:			
		PART NO.:	SS-23103		
		DWG NO.:	ADL-23103		
		SCALE	SHEET	REV.	CUSTOMER DRAWING
		2:1	1/1	A	