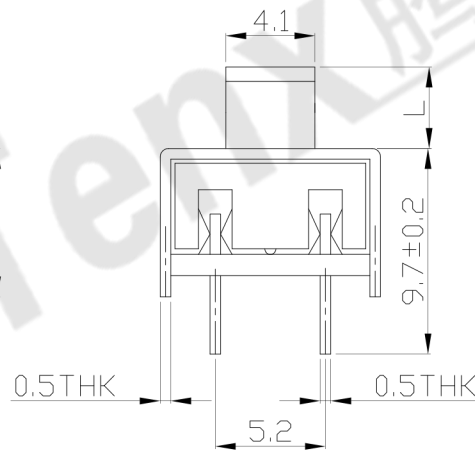
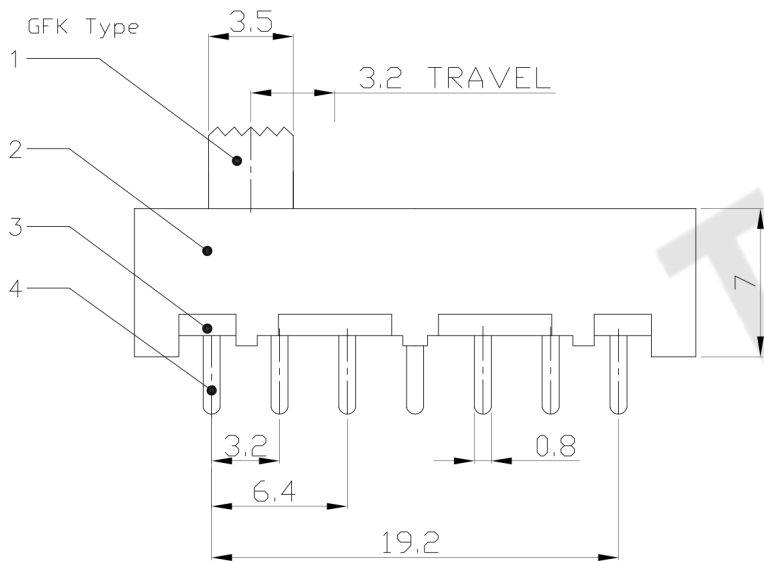
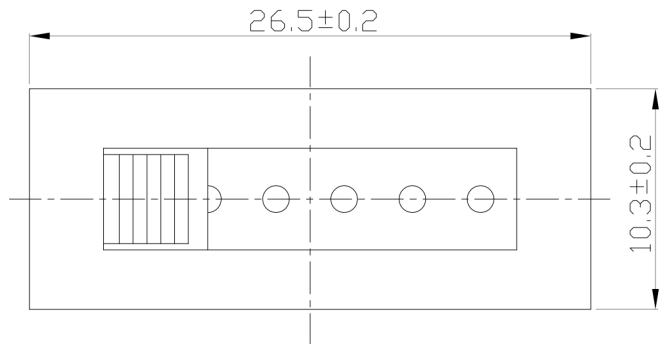




RoHS
Compliant
2002/95/EC

| REV. | ECN. | NO. | APPD. |
|------|------|-----|-------|
| | | | |
| | | | |

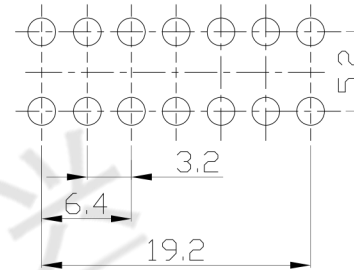
DIMENSIONS



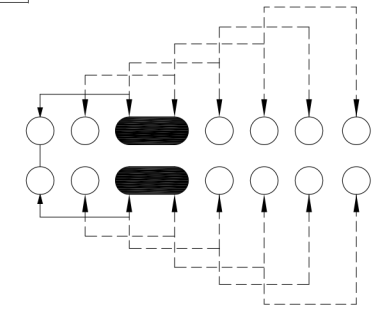
MODEL CODE

SS-26F01-GFK

| Knob Type | L(mm) |
|-----------|-------|
| GFK | ~ |



P.C.B LAYOUT
BOTTOM VIEW



CIRCUIT DIAGRAM

ELECTRO-MECHANICAL CHARACTERISTICS

Refer to additional specifications

| | |
|------------------------|-------------|
| RATING | 0.3A 50V DC |
| CIRCUIT | 2P6T |
| CONTACT RESISTANCE | 100mΩ MAX. |
| TIMING | SHORTING |
| TRAVEL | 3.2mm |
| OPERATING FORCE | 250±100gf |
| OPERATING LIFE(cycles) | 10,000 |

| NO. | PARTS | MATERIAL | Q'TY | FINISHING |
|-----|------------|-----------------|------|---------------|
| 8 | | | | |
| 7 | STEEL BALL | STAINLESS STEEL | 1 | NATURAL |
| 6 | SPRING | STEEL WIRE | 1 | NATURAL |
| 5 | CONTACT | PBS STRIP | 2 | Ag PLATED |
| 4 | TERMINAL | BRASS STRIP | 14 | SILVER PLATED |
| 3 | BASE | PHENOLIC RESIN | 1 | NATURAL |
| 2 | FRAME | STEEL STRIP | 1 | Ni PLATED |
| 1 | KNOB | POM | 1 | BLACK |

| | |
|----------------------|----------|
| WITHIN 1.5mm: ±0.1mm | UNITS mm |
| OVER 1.5mm: ±0.2mm | MAT'L |
| | SEE NOTE |
| | FINISH |
| | SEE NOTE |
| | Q'TY |
| | |

THESE DRAWINGS AND SPECIFICATIONS ARE THE PROPERTY OF ACCURATE INNOVATECH INC AND SHALL NOT BE REPRODUCED, COPIED OR USED IN ANY MANNER WITHOUT THE PRIOR WRITTEN CONSENT OF ACCURATE INNOVATECH INC.

东莞市腾兴电子有限公司

| | |
|-----------------------------------|--|
| TITLE: SLIDE SWITCH / VERTICAL | PART NO.: SS-26F01 |
| DR: <i>Ricky</i> 2016/02/18 | DWG NO.: ADL-26F01 |
| CHKD: <i>Ricky</i> 2016/02/18 | SCALE SHEET REV. CUSTOMER 2:1 1/1 A DRAWING |
| APPD: | |