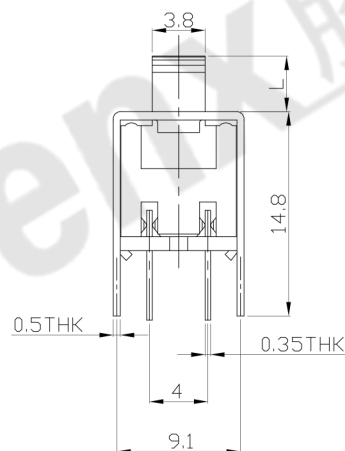
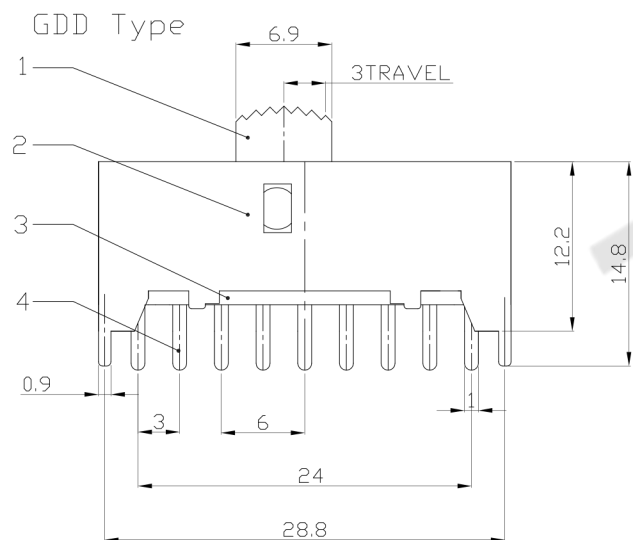
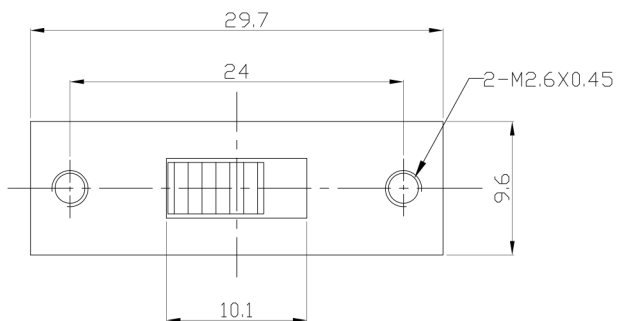




**RoHS Compliant**  
2002/95/EC

REV.	ECN.	NO.	APPD.

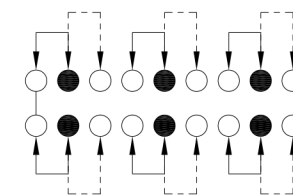
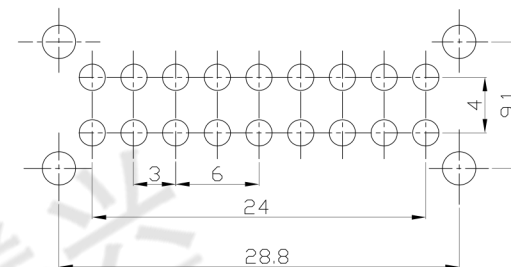
### DIMENSIONS



### MODEL CODE

SS-62F01- GDD

Knob Type	L(mm)
GDD	~



P.C.B LAYOUT  
BOTTOM VIEW

CIRCUIT DIAGRAM

### ELECTRO-MECHANICAL CHARACTERISTICS

Refer to additional specifications

RATING	0.3A 50V DC
CIRCUIT	6P2T
CONTACT RESISTANCE	100mΩ MAX.
TIMING	NON-SHORTING
TRAVEL	3mm
OPERATING FORCE	200±80gf
OPERATING LIFE(cycles)	10,000

8					
7	STEEL BALL	STEEL	2	NATURAL	WITHIN 1.5mm: ±0.1mm
6	SPRING	STEEL WIRE	1	NATURAL	OVER 1.5mm: ±0.2mm
5	CONTACT CLIP	PBS STRIP	6	Ag PLATED	
4	TERMINAL	BRASS STRIP	18	Ag PLATED	
3	BASE	PHENOLIC RESIN	1	NATURAL	
2	FRAME	STEEL STRIP	1	Ni PLATED	
1	KNOB	POM	1	BLACK	
NO.	PARTS	MATERIAL	Q'TY	FINISHING	

THESE DRAWINGS AND SPECIFICATIONS ARE THE PROPERTY OF ACCURATE INNOVATECH INC AND SHALL NOT BE REPRODUCED, COPIED OR USED IN ANY MANNER WITHOUT THE PRIOR WRITTEN CONSENT OF ACCURATE INNOVATECH INC.

UNITS	mm
MAT'L	SEE NOTE
FINISH	SEE NOTE
Q'TY	

### 东莞市腾兴电子有限公司

TITLE:	SLIDE SWITCH / VERTICAL	PART NO.:	SS-62F01
DR:	Ricky 2015/10/23	DWG NO.:	ADL-62F01
CHKD:	Ricky 2015/10/23	SCALE	SHEET
APPD:		3:2	1/1
		REV.	CUSTOMER DRAWING
		A	