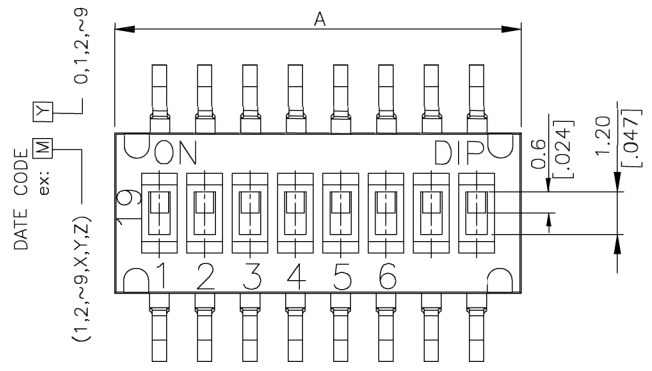




**RoHS Compliant**  
2002/95/EC

REV.	ECN. NO.	APPD.

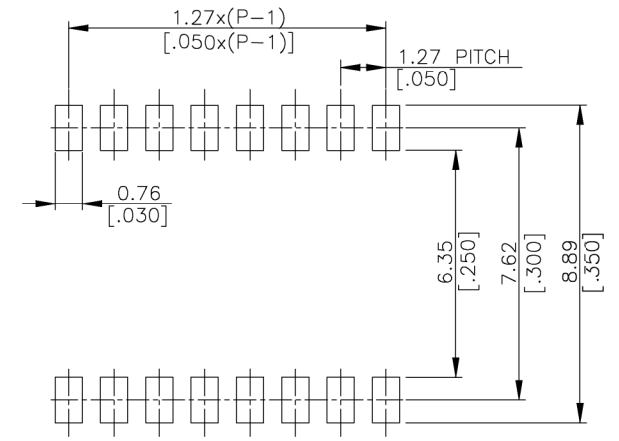
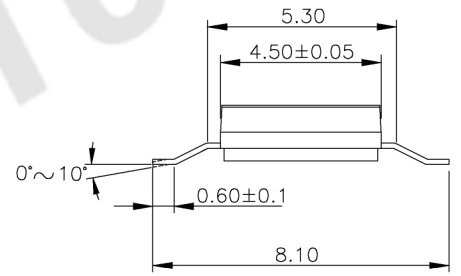
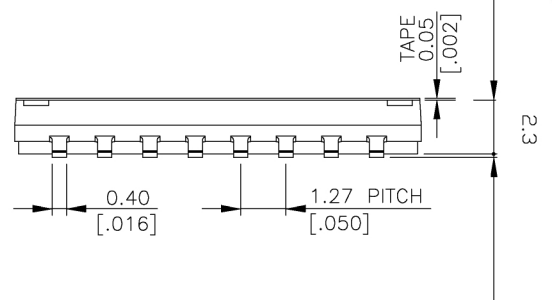
**DIMENSIONS : (UNIT : mm/inches)**



PROD. NO.	NO. OF POS.	DIM.
DHNF-02-V	2	3.77 [.148]
DHNF-04-V	4	6.31 [.248]
DHNF-06-V	6	8.85 [.348]
DHNF-08-V	8	11.39 [.448]
DHNF-10-V	10	13.93 [.548]

SCHEMATIC(TYP.)

(2,4,6,8,10 POS AVAIL)



P.C.B LAYOUT

GENERAL TOLERANCES	UNI TS mm(IN)	<b>东莞市腾兴电子有限公司</b>			
±0.20mm	MAT'L				
	SEE NOTE	TITLE		DHNF-V	
	FINISH	S.M.T. TYPE HALF PITCH DIP SWITCH		DWG NO.:	
	SEE NOTE	DR: Ricky 2016/03/14		ATD-DHNF	
THESE DRAWINGS AND SPECIFICATIONS ARE THE PROPERTY OF ACCURATE INNOTECH INC AND SHALL NOT BE REPRODUCED, COPIED OR USED IN ANY MANNER WITHOUT THE PRIOR WRITTEN CONSENT OF ACCURATE INNOTECH INC.	Q'TY	CHKD: Ricky 2016/03/14		SCALE	SHEET
		APPD:		8:1	1/1
				REV.	CUSTOMER DRAWING
				A	