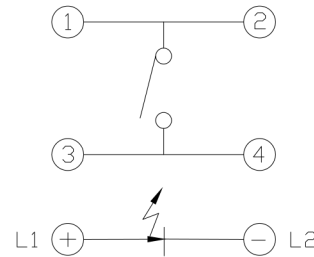
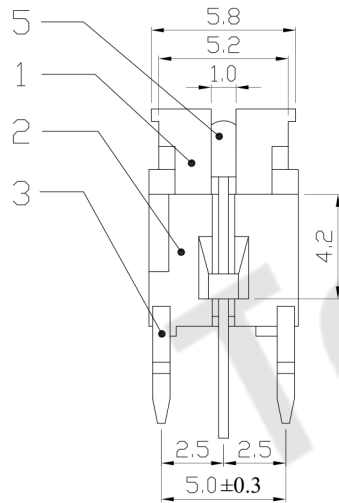
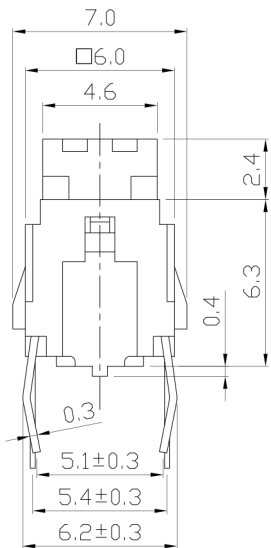
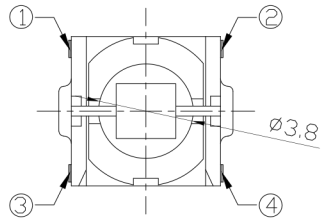




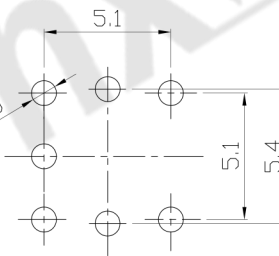
**RoHS Compliant**  
2002/95/EC

REV.	ECN.	NO.	APPD.

### DIMENSIONS



### CIRCUIT DIAGRAM



### P.C.B LAYOUT TOP VIEW

### MODEL CODE

ATI-008-DW16-1DN\*\*-BS  
1 2 3 4 5 6 7 8 9

- Series Number
- Terminal Type: D=Dip
- Stem Color: W=White B=Black
- Operating Force: 16=160gf 25=250gf
- Circuit
- LED Type: D=Dip
- LED Brightness: N=Normal S=Super Bright H=Super High Bright
- LED Color: 01=Red 02=Yellow 03=Green 04=Blue 05=White 06=Pure Green 08=Amber 09=Blue Green 0A=Pink 0B=Purple
- Packing Type: BS=Blister Packing

### ELECTRO-MECHANICAL CHARACTERISTICS

Refer to additional specifications

RATING	DC 12V 50mA	
CONTACT RESISTANCE	100mΩ MAX.	
TRAVEL	0.25±0.1mm	
OPERATING FORCE	160±50gf	250±50gf
OPERATING LIFE(cycles)	100,000	

NO.	PARTS	MATERIAL	Q'TY	FINISHING
8				
7				
6				
5	LED		1	
4	CONTACT	PBS C5210R-EH	1	Ag CLAD
3	TERMINAL	BRASS STRIP	4	Ag PLATED
2	CASE	NYLON+F.G	1	BLACK
1	KNOB	NYLON+F.G	1	NATURAL/BLACK

THESE DRAWINGS AND SPECIFICATIONS ARE THE PROPERTY OF ACCURATE INNOVATIVE INC AND SHALL NOT BE REPRODUCED, COPIED OR USED IN ANY MANNER WITHOUT THE PRIOR WRITTEN CONSENT OF ACCURATE INNOVATIVE INC.

UNITS	东莞市腾兴电子有限公司			
mm				
MAT'L				
SEE NOTE	TITLE: ILLUMINATED TACT SWITCH		PART NO.: ATI-008-D	
FINISH	DR: Ricky 2016/10/07		DWG NO.: AZJ-008-D	
SEE NOTE	CHKD: Ricky 2016/10/07			
Q'TY	APPD:		SCALE	SHEET
			4:1	1/1
			REV. A	CUSTOMER DRAWING