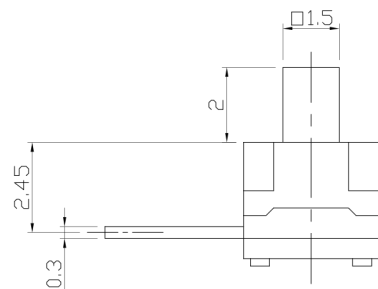
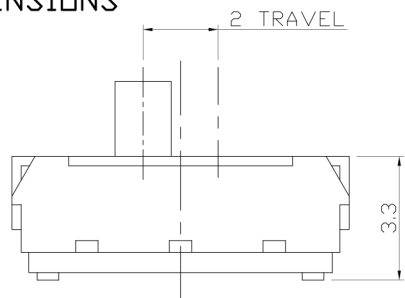




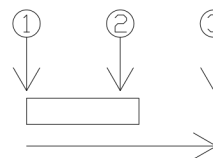
RoHS Compliant
2002/95/EC

REV.	ECN. NO.	APPD.

DIMENSIONS



CIRCUIT DIAGRAM

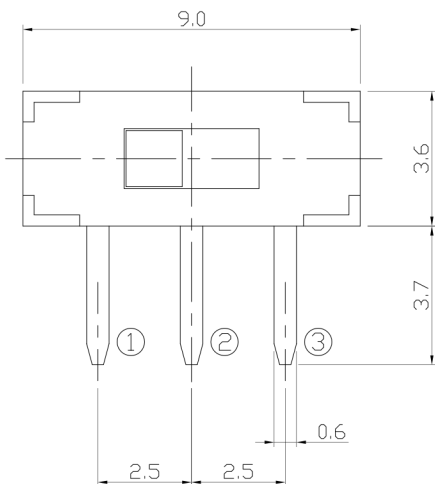


MODEL CODE

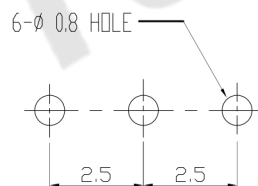
AS-1260N-BL

L	(mm)
-	2.0
A	4.0
B	6.0

Knob Color	
BL	Blue



P.C.B MOUNTING PATTERN DIMENSION



ELECTRO-MECHANICAL CHARACTERISTICS

Refer to additional specifications

Rating	DC 6V 0.3A
Circuit	1C-2P
Contact Resistance	70mΩ Max.
Travel	2mm
Operating Force	200±100gf
Operating Life(cycles)	10,000

.X ±0.3

X. ±2'

UNITS mm

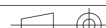
MAT'L

SEE NOTE

FINISH

SEE NOTE

Q'TY



THESE DRAWINGS AND SPECIFICATIONS ARE THE PROPERTY OF ACCURATE INNTECH INC AND SHALL NOT BE REPRODUCED, COPIED OR USED IN ANY MANNER WITHOUT THE PRIOR WRITTEN CONSENT OF ACCURATE INNTECH INC.

东莞市腾兴电子有限公司

TITLE: MINI SLIDE SWITCH / HORIZONTAL

PART NO.: AS-1260N SERIES

DR: *Ricky* 2015/04/16

DWG NO.: AKS-1260N

CHKD: *Ricky* 2015/04/16

APPD:

SCALE	SHEET	REV.	CUSTOMER DRAWING
5:1	1/1	A	