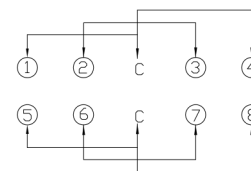
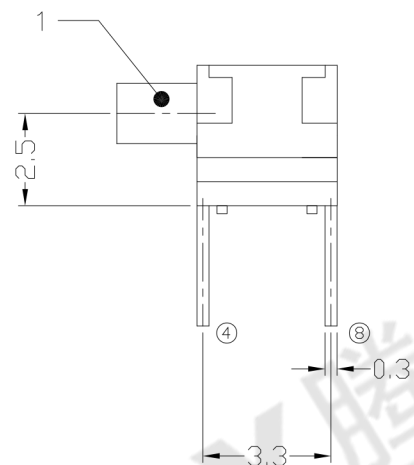
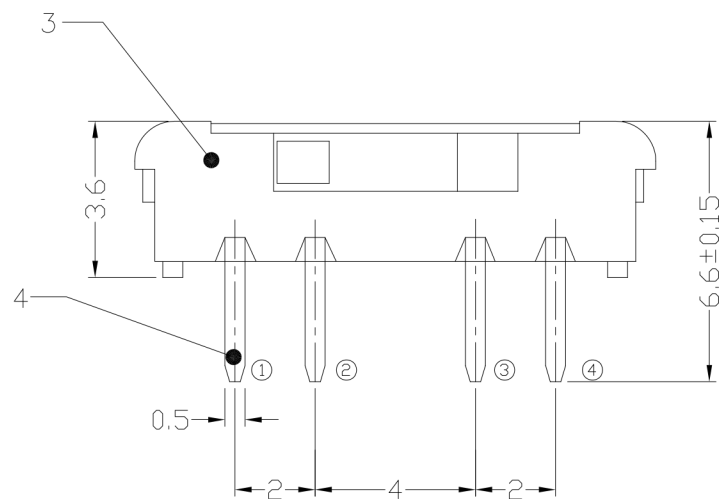




**RoHS Compliant**  
2002/95/EC

REV.	ECN.	NO.	APPD.

### DIMENSIONS

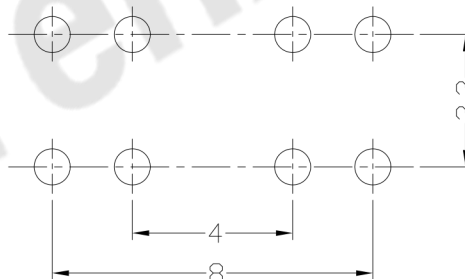
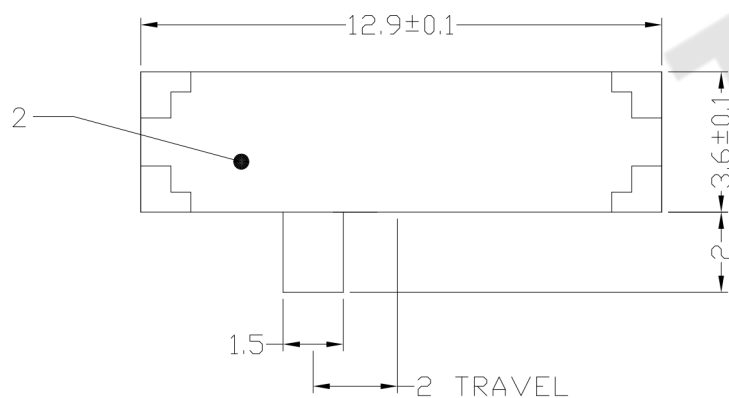


CIRCUIT DIAGRAM

### MODEL CODE

AS-2346-**B**

Knob Color  
**B** Black



P.C.B LAYOUT  
BOTTOM VIEW

### ELECTRO-MECHANICAL CHARACTERISTICS

Refer to additional specifications

RATING	DC6V 0.3A
CIRCUIT	2P3T
CONTACT RESISTANCE	70mΩ MAX.
TRAVEL	2mm
OPERATING FORCE	250±50gf
OPERATING LIFE(cycles)	10,000

8					WITHIN 1.5mm:±0.1mm	UNITS mm	<b>东莞市腾兴电子有限公司</b>				
7					OVER 1.5mm:±0.2mm	MAT'L					
6						SEE NOTE	TITLE:	PART NO.:			
5	CONTACT (CLIP)	BRASS STRIP	2	SILVER PLATED		FINISH	MINI SLIDE SWITCH / HORIZONTAL	AS-2346 SERIES			
4	TERMINAL	BRASS STRIP	8	SILVER PLATED		SEE NOTE	DR:	2015/04/10			
3	CASE	PBT	1	BLACK		Q'TY	CHKD:	2015/04/10			
2	COVER	SUS	1		THESE DRAWINGS AND SPECIFICATIONS ARE THE PROPERTY OF ACCURATE INNO TECH INC AND SHALL NOT BE REPRODUCED, COPIED OR USED IN ANY MANNER WITHOUT THE PRIOR WRITTEN CONSENT OF ACCURATE INNO TECH INC.		APPD:	SCALE	SHEET	REV.	CUSTOMER DRAWING
1	KNOB	PBT	1	BLACK				5:1	1/1	A	
NO.	PARTS	MATERIAL	Q'TY	FINISHING							