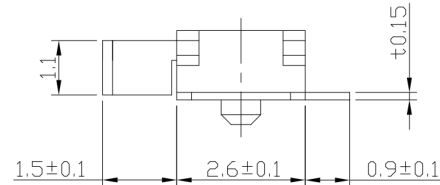
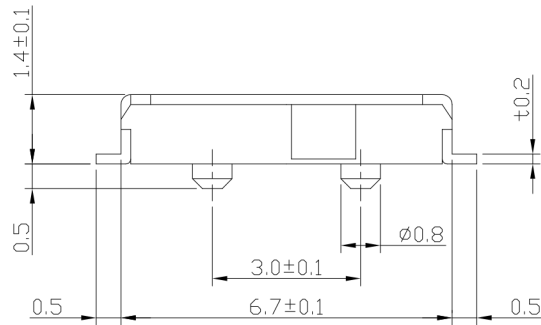




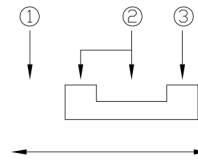
RoHS
Compliant
2002/95/EC

REV.	ECN. NO.	APPD.

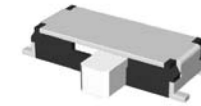
DIMENSIONS



CIRCUIT DIAGRAM



PRODUCT IMAGE



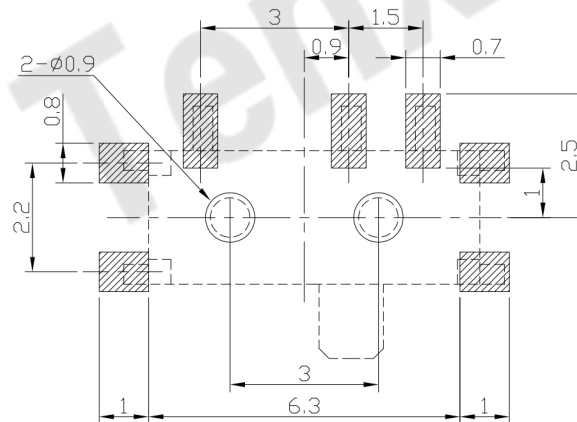
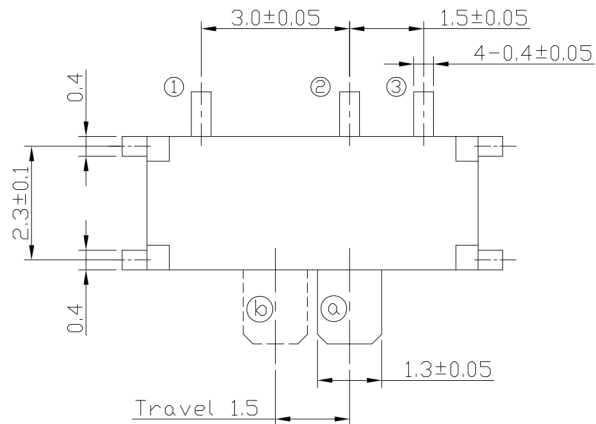
MODEL CODE

AS-1290AP-W

Knob Color	
W	White
B	Black

P.C.B MOUNTING PATTERN DIMENSION

The following soldering patterns are recommended for reflow soldering



ELECTRO-MECHANICAL CHARACTERISTICS

Refer to additional specifications

Rating	DC 4V 0.3A
Circuit	1C-2P
Contact Resistance	70mΩ Max.
Travel	1.5±0.3mm
Operating Force	150±100gf
Operating Life(cycles)	10,000

.X ±0.2	X. ±2'	UNITS mm
		MAT'L SEE NOTE
		FINISH SEE NOTE
		Q'TY
<small>THESE DRAWINGS AND SPECIFICATIONS ARE THE PROPERTY OF ACCURATE INNOTECH INC AND SHALL NOT BE REPRODUCED, COPIED OR USED IN ANY MANNER WITHOUT THE PRIOR WRITTEN CONSENT OF ACCURATE INNOTECH INC.</small>		

东莞市腾兴电子有限公司

TITLE: MINI SLIDE SWITCH	PART NO.: AS-1290AP SERIES
DR: Ricky 2014/04/03	DWG NO.: ASI-1290AP
CHKD: Ricky 2014/04/03	SCALE SHEET REV. CUSTOMER DRAWING
APPD:	1:1 1/1 A