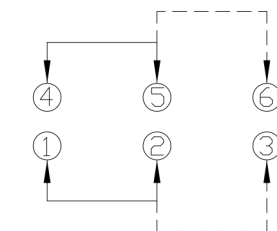
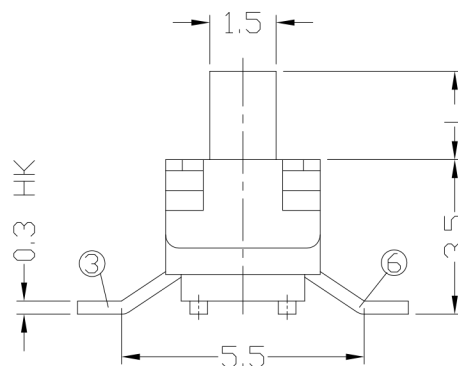
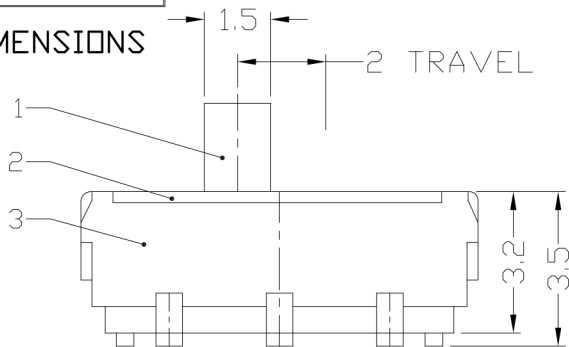




RoHS
Compliant
2002/95/EC

REV.	ECN.	NO.	APPD.

DIMENSIONS



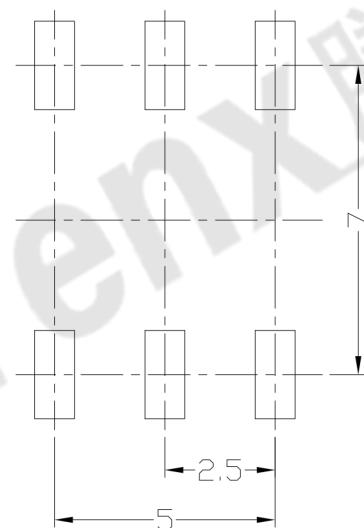
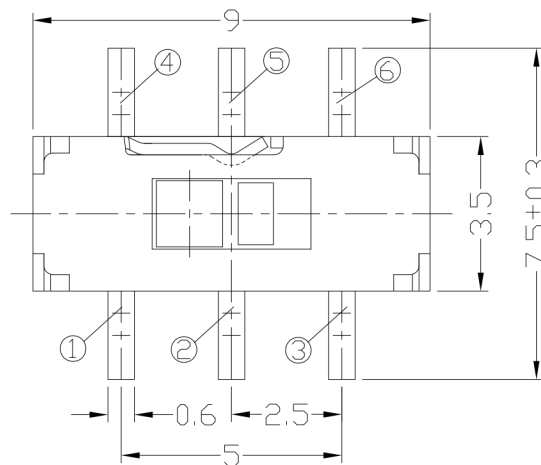
CIRCUIT DIAGRAM

MODEL CODE

AS-2235SPL [] [B]

L (mm)	-	2.0
A	4.0	
B	3.0	

Knob Color	
B	Black
W	White



P.C.B LAYOUT
TOP VIEW

ELECTRO-MECHANICAL CHARACTERISTICS

Refer to additional specifications

RATING	DC6V 0.3A
CIRCUIT	2P2T
CONTACT RESISTANCE	70mΩ MAX.
TRAVEL	2mm
OPERATING FORCE	200±50gf
OPERATING LIFE(cycles)	10,000

8					
7					
6					
5					
4	CONTACT	PBS WIRE	2	NATURAL	
3	CASE	PA66/BRASS STRIP	1	BLACK/Ag PLATED	
2	COVER	SUS	1	NATURAL	
1	KNOB	PA66	1	BLACK	
NO.	PARTS	MATERIAL	Q'TY	FINISHING	

WITHIN 1.5mm:±0.1mm	UNITS mm
OVER 1.5mm:±0.2mm	MAT'L
	SEE NOTE
	FINISH
	SEE NOTE
	Q'TY

东莞市腾兴电子有限公司			
TITLE:	MINI SLIDE SWITCH / VERTICAL	PART NO.:	AS-2235SPL SERIES
DR:	Ricky 2015/04/14	DWG NO.:	ADL-2235SPL
CHKD:	Ricky 2015/04/14	SCALE	SHEET
APPD:		6:1	1/1
		REV.:	A
		CUSTOMER	DRAWING

THESE DRAWINGS AND SPECIFICATIONS ARE THE PROPERTY OF ACCURATE INNOVATECH INC AND SHALL NOT BE REPRODUCED, COPIED OR USED IN ANY MANNER WITHOUT THE PRIOR WRITTEN CONSENT OF ACCURATE INNOVATECH INC.