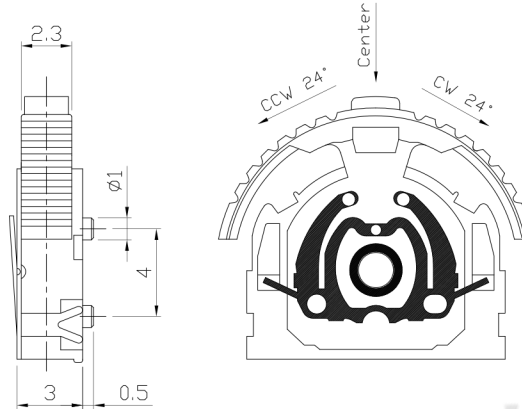
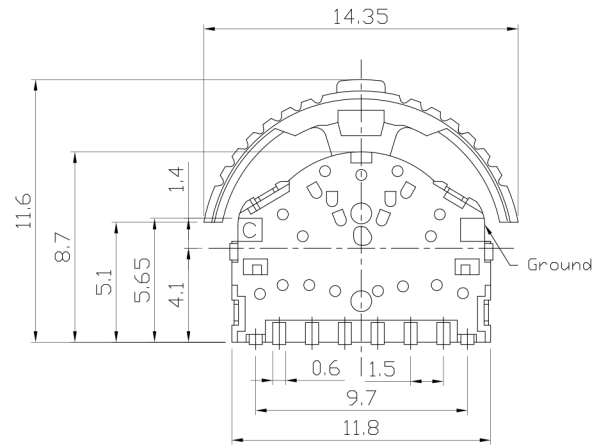




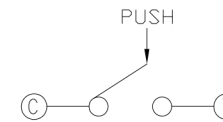
**RoHS Compliant**  
2002/95/EC

REV.	ECN.	NO.	APPD.

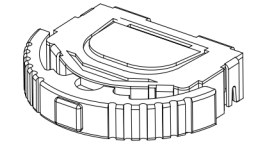
### DIMENSIONS



### CIRCUIT DIAGRAM



### PRODUCT IMAGE



### CODE TABLE

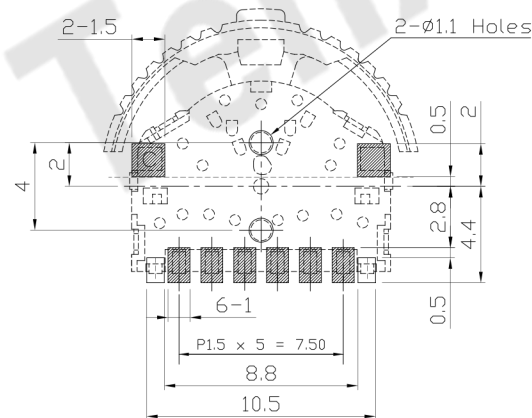
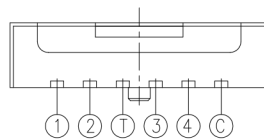
CODE TABLE (▨ = 0N)

Terminal	Angle	25°	0°	25°
①	(24°)	▨	(11°)	
②				
③				▨
④				▨
⑤				▨

CCW ← → CW

### P.C.B MOUNTING PATTERN DIMENSION

The following soldering patterns are recommended for reflow soldering



### ELECTRO-MECHANICAL CHARACTERISTICS

Refer to additional specifications

Rating	DC 5V 10mA	
Output Voltage	1V Min. at 5V 1mA	
Operating Force	Lever	70±50gf
	Center	200±100gf
Travel	Lever	25°
	Center	0.7mm
Operating Life(cycles)	100,000	

.X ±0.2	X. ±2'	UNITS mm
		MAT'L
		SEE NOTE
		FINISH
		SEE NOTE
		Q'TY

THESE DRAWINGS AND SPECIFICATIONS ARE THE PROPERTY OF ACCURATE INNOVATECH INC AND SHALL NOT BE REPRODUCED, COPIED OR USED IN ANY MANNER WITHOUT THE PRIOR WRITTEN CONSENT OF ACCURATE INNOVATECH INC.

**东莞市腾兴电子有限公司**

TITLE: <b>PUSH LEVER SWITCH</b>		PART NO.: AL-1512 SERIES	
DR: <i>Ricky</i> 2014/04/02		DWG NO.: ASI-1512	
CHKD: <i>Ricky</i> 2014/04/02	SCALE	SHEET	REV.
APPD:	1:1	1/1	A
			CUSTOMER DRAWING