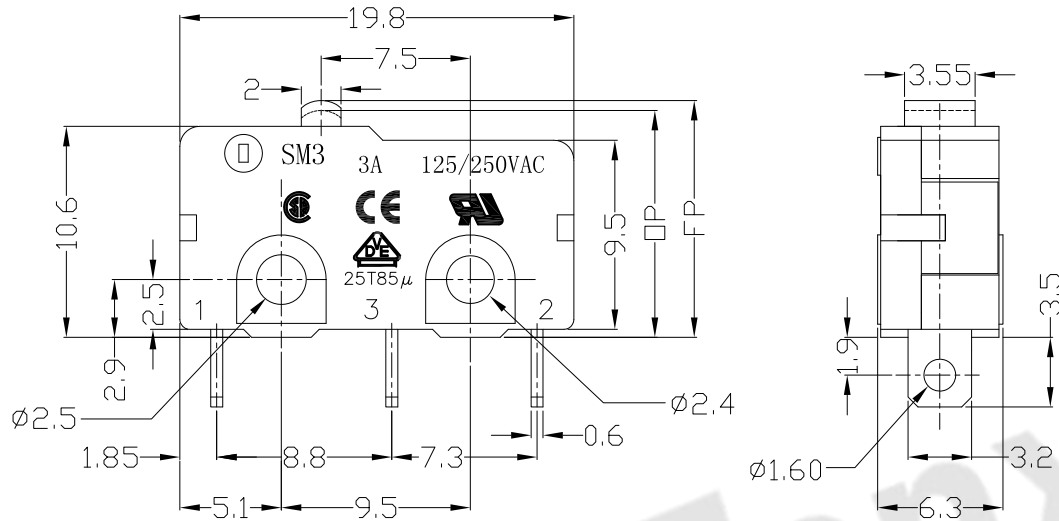




RoHS  
Compliant  
2002/95/EC

REV.	ECN.	NO.	APPD.

### DIMENSIONS

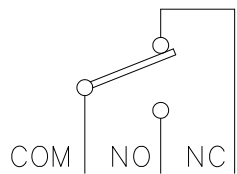


### MODEL CODE

SM 3-00 X-XX S-C31

1 2 3 4 5 6 7

- 1.Series : SM
- 2.Current Rating : 3=3A 125/250VAC
- 3.Actuator : 00=Non-lever 01-99=Lever
- 4.Termination : see chart (N/P/C/D)  
(2=SPST-NO / 3=SPST-NC)
- 5.Operating Force : see chart
- 6.Spring Material:S=SUS304
- 7.Contact type: C31=3Amps Contact



### CIRCUIT DIAGRAM

### 1.Functional spec

1.1 Rated Voltage(AC)	125/250VAC
1.2 Rated Current(AC)	3A
1.3 Contact Resistance	≤100mΩ(Initial value)
1.4 Operating Force	115±30gf   175±45gf   250±50gf
1.5 Bounce Time	
1.6 Free Position	11.9±0.3mm
1.7 Operating Position	11.3±0.35mm
1.8 Position Travel	
1.9 Return Force	

### 2.Reliable Rating

2.1 Mechanical Life	1,000,000 CYCLES
2.2 Electrical Life	10,000 CYCLES
2.3 Insulation Resistance	≥100MΩ DC500V
2.4 Withstand Voltage	AC1000V 1 minute
2.5 Soldering Technic	Hand Soldering
2.6 Operating Temper	-25°C ~ +85°C
2.7 Ambient Humidity Used	<85%RH

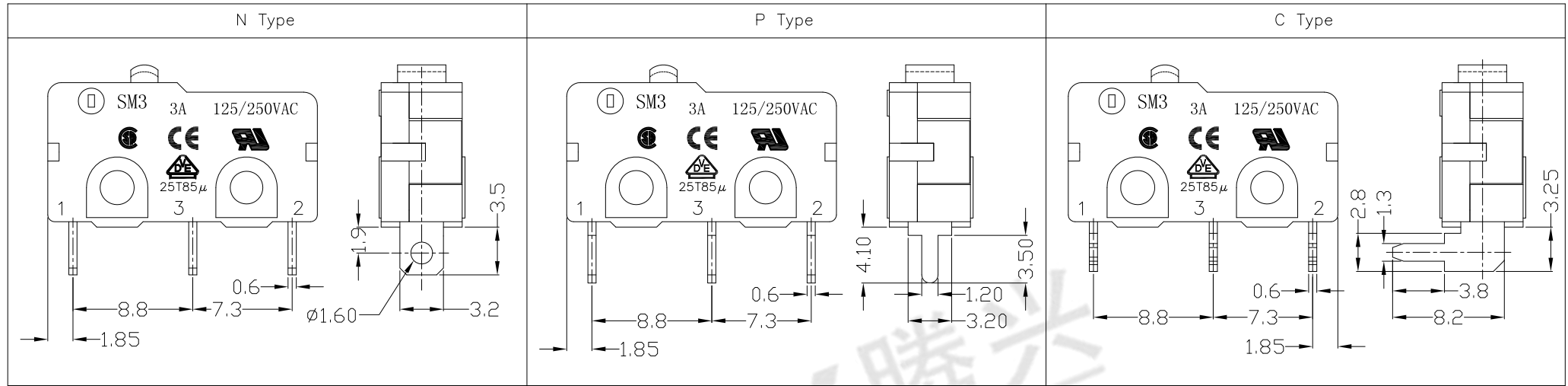
Tolerance:±0.2		UNITS	东莞市腾兴电子有限公司			
		mm				
		MAT'L	SEE NOTE		TITLE: MICRO SWITCH SM3 SERIES	
		FINISH	SEE NOTE		PART NO.: SM3-00N-XXS-C31	
		Q'TY	DR: Ricky 2017/4/10		DWG NO.: ATD-00X-XXS-C31	
<small>THESE DRAWINGS AND SPECIFICATIONS ARE THE PROPERTY OF ACCURATE INNOTECH INC AND SHALL NOT BE REPRODUCED, COPIED OR USED IN ANY MANNER WITHOUT THE PRIOR WRITTEN CONSENT OF ACCURATE INNOTECH INC.</small>			CHKD: Ricky 2017/4/10		SCALE	
			APPD:		1:1	SHEET 1/2



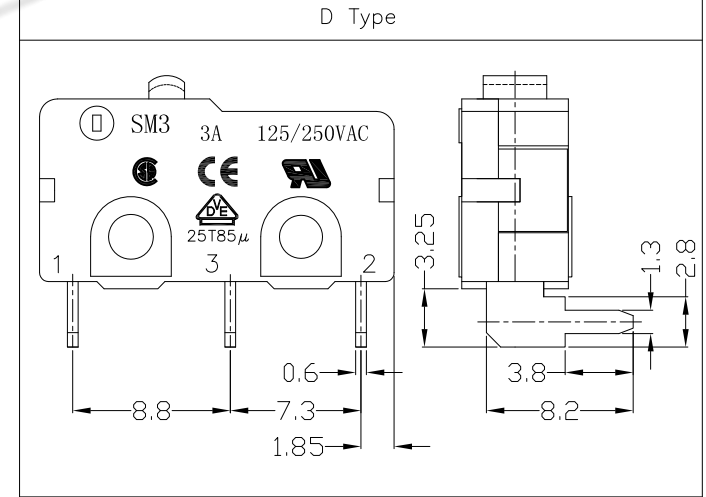
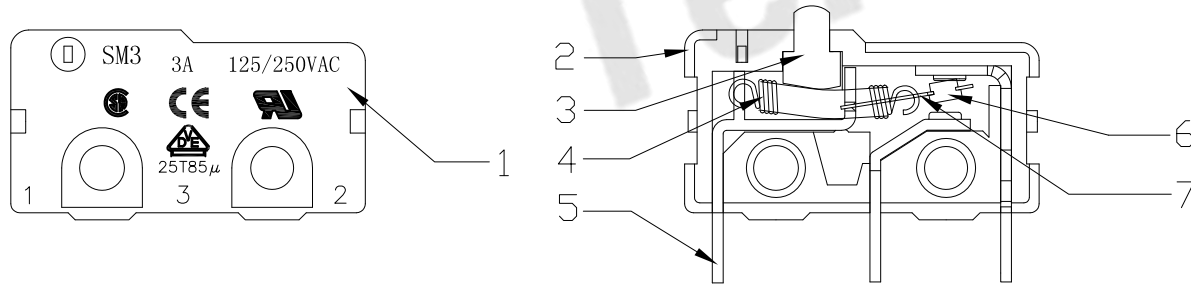
RoHS  
Compliant  
2002/95/EC

REV.	ECN. NO.	NO.	APPD.

### Terminal Type



### Structure chart



### Material list

NO.	PARTS	MATERIAL	Q'TY	FINISHING
8				
7	Change Plate	C5210	1	
6	Contact	Silver alloy	1	
5	Terminal	C2680	3	
4	Spring	SUS304	1	
3	Button	PBT	1	
2	Lower Housing	PBT	1	
1	Upper Housing	PBT	1	

Tolerance: ±0.2

UNITS mm

MAT'L

SEE NOTE

FINISH

SEE NOTE

Q'TY

THESE DRAWINGS AND SPECIFICATIONS ARE THE PROPERTY OF ACCURATE INNO TECH INC AND SHALL NOT BE REPRODUCED, COPIED OR USED IN ANY MANNER WITHOUT THE PRIOR WRITTEN CONSENT OF ACCURATE INNO TECH INC.

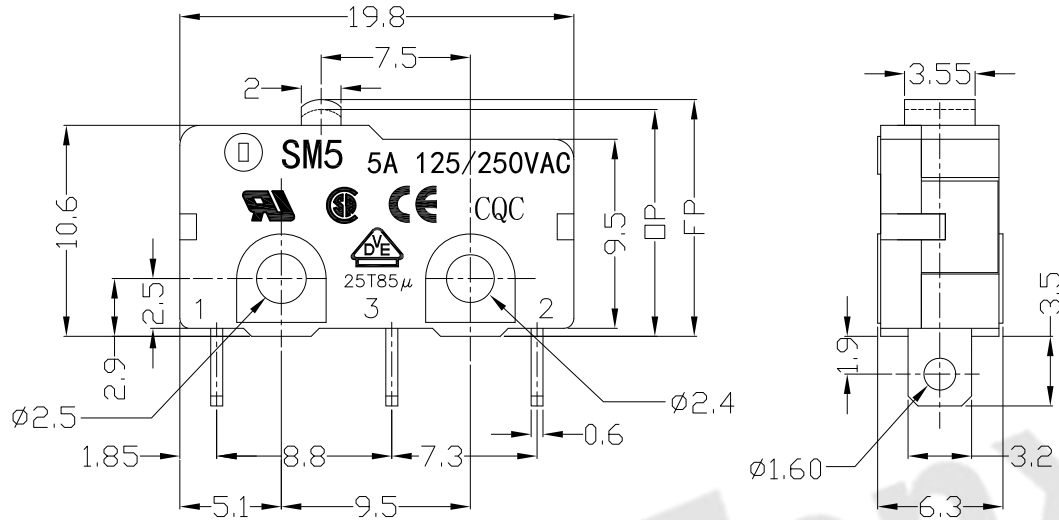
<b>东莞市腾兴电子有限公司</b>			
TITLE: MICRO SWITCH SM3 SERIES		PART NO.: SM3-00X-XXS-C31	
DR: Ricky 2017/4/10		DWG NO.: ATD-00X-XXS-C31	
CHKD: Ricky 2017/4/10		SCALE: 1:1	SHEET: 2/2
APPD:		REV.: A	CUSTOMER DRAWING



RoHS  
Compliant  
2002/95/EC

REV.	ECN.	NO.	APPD.

## DIMENSIONS

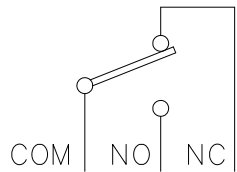


## MODEL CODE

SM 5 - 00 X - XX S - C51

1 2 3 4 5 6 7

- 1.Series : SM
- 2.Current Rating : 5=5A 125/250VAC
- 3.Actuator : 00=Non-lever 01-99=Lever
- 4.Termination : see chart (N/P/C/D/L)  
(2=SPST-NO / 3=SPST-NC)
- 5.Operating Force : see chart
- 6.Spring Material:S=SUS304
- 7.Contact type: C51=5Amps Contact



CIRCUIT DIAGRAM

## 1.Functional spec

1.1 Rated Voltage(AC)	125/250VAC
1.2 Rated Current(AC)	5A
1.3 Contact Resistance	≤100mΩ(Initial value)
1.4 Operating Force	115±30gf   175±45gf   250±50gf
1.5 Bounce Time	
1.6 Free Position	11.9±0.3mm
1.7 Operating Position	11.3±0.35mm
1.8 Position Travel	
1.9 Return Force	

## 2.Reliable Rating

2.1 Mechanical Life	1,000,000 CYCLES
2.2 Electrical Life	10,000 CYCLES
2.3 Insulation Resistance	≥100MΩ DC500V
2.4 Withstand Voltage	AC1000V 1 minute
2.5 Soldering Technic	Hand Soldering
2.6 Operating Temper	-25°C ~ +85°C
2.7 Ambient Humidity Used	<85%RH

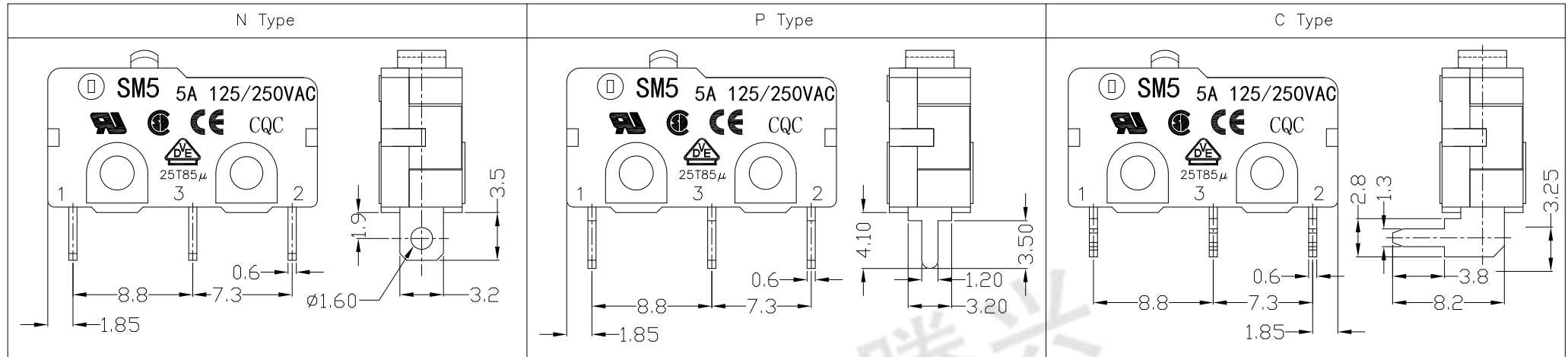
Tolerance:±0.2		UNITS	东莞市腾兴电子有限公司			
		mm				
		MAT'L	SEE NOTE		TITLE: MICRO SWITCH SM5 SERIES	
		FINISH	SEE NOTE		PART NO.: SM5-00N-XXS-C51	
		Q'TY	DR: Ricky 2017/4/12		DWG NO.: ATD-00X-XXS-C51	
<small>THESE DRAWINGS AND SPECIFICATIONS ARE THE PROPERTY OF ACCURATE INNOTECH INC AND SHALL NOT BE REPRODUCED, COPIED OR USED IN ANY MANNER WITHOUT THE PRIOR WRITTEN CONSENT OF ACCURATE INNOTECH INC.</small>			CHKD: Ricky 2017/4/12		SCALE	
			APPD:		1:1	SHEET
					1/2	A



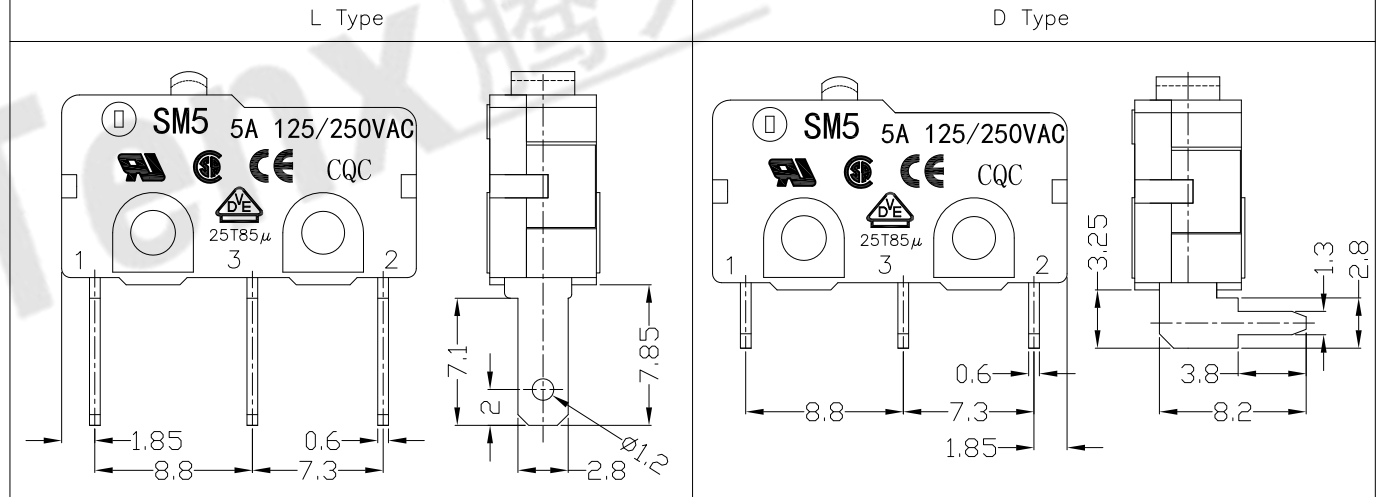
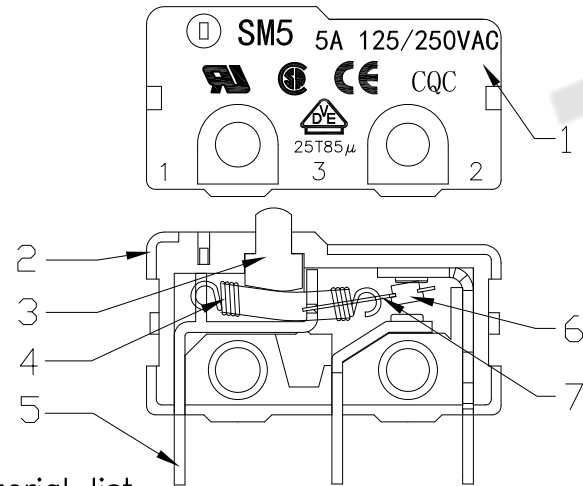
RoHS  
Compliant  
2002/95/EC

REV.	ECN.	NO.	APPD.

### Terminal Type



### Structure chart



### Material list

NO.	PARTS	MATERIAL	Q'TY	FINISHING	Tolerance:±0.2	UNITS	东莞市腾兴电子有限公司			
8						mm	TITLE: MICRO SWITCH SM5 SERIES PART NO.: SM5-00X-XXS-C51			
7	Change Plate	C5210	1			MAT'L				
6	Contact	Silver alloy	3			SEE NOTE	CHKD: Ricky 2017/4/12			
5	Terminal	C2680	3			FINISH	SCALE SHEET REV. CUSTOMER			
4	Spring	SUS304	1			SEE NOTE	11 2/2 A DRAWING			
3	Button	PBT	1			Q'TY	APPD:			
2	Lower Housing	PBT	1				THESE DRAWINGS AND SPECIFICATIONS ARE THE PROPERTY OF ACCURATE INNOTECH INC AND SHALL NOT BE REPRODUCED, COPIED OR USED IN ANY MANNER WITHOUT THE PRIOR WRITTEN CONSENT OF ACCURATE INNOTECH INC.			
1	Upper Housing	PBT	1							