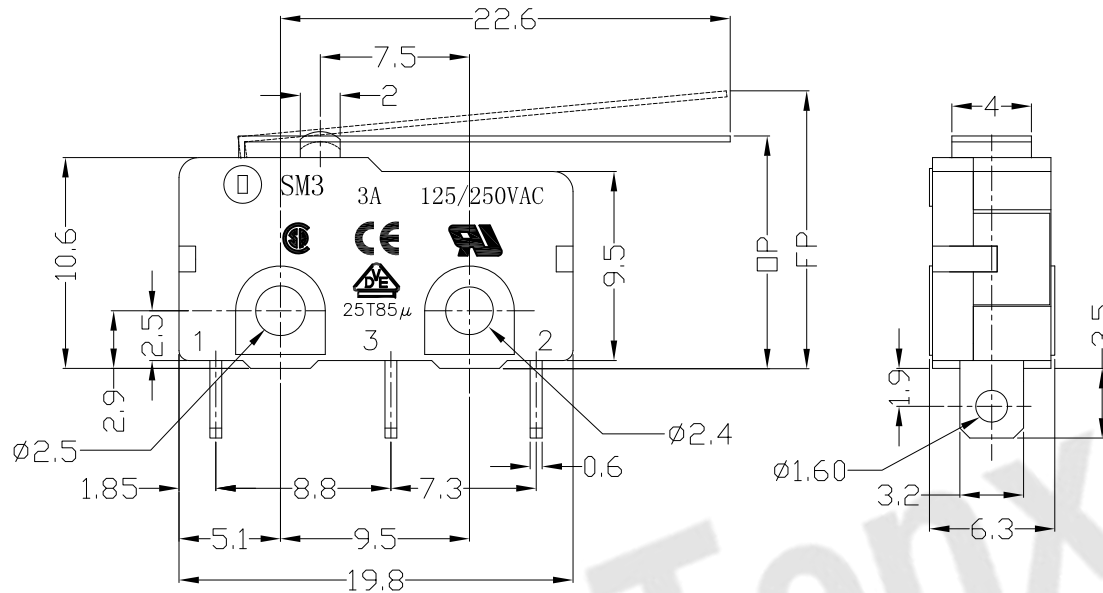




RoHS
Compliant
2002/95/EC

REV.	ECN.	NO.	APPD.

DIMENSIONS

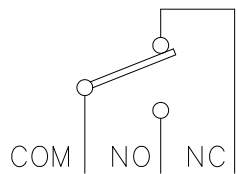


MODEL CODE

SM 3-00 X-XX S-C31

1 2 3 4 5 6 7

- 1.Series : SM
- 2.Current Rating : 3=3A 125/250VAC
- 3.Actuator : 00=Non-lever 01-99=Lever
- 4.Termination : see chart (N/P/C/D)
(2=SPST-NO / 3=SPST-NC)
- 5.Operating Force : see chart
- 6.Spring Material:S=SUS304
- 7.Contact type: C31=3Amps Contact



CIRCUIT DIAGRAM

1.Functional spec

1.1 Rated Voltage(AC)	125/250VAC
1.2 Rated Current(AC)	3A
1.3 Contact Resistance	≤100mΩ(Initial value)
1.4 Operating Force	18±10gf 28±12gf 45±20gf
1.5 Bounce Time	
1.6 Free Position	15.0±1.5mm
1.7 Operating Position	12.4±1.3mm
1.8 Position Travel	
1.9 Return Force	

2.Reliable Rating

2.1 Mechanical Life	1,000,000 CYCLES
2.2 Electrical Life	10,000 CYCLES
2.3 Insulation Resistance	≥100MΩ DC500V
2.4 Withstand Voltage	AC1000V 1 minute
2.5 Soldering Technic	Hand Soldering
2.6 Operating Temper	-25°C ~ +85°C
2.7 Ambient Humidity Used	<85%RH

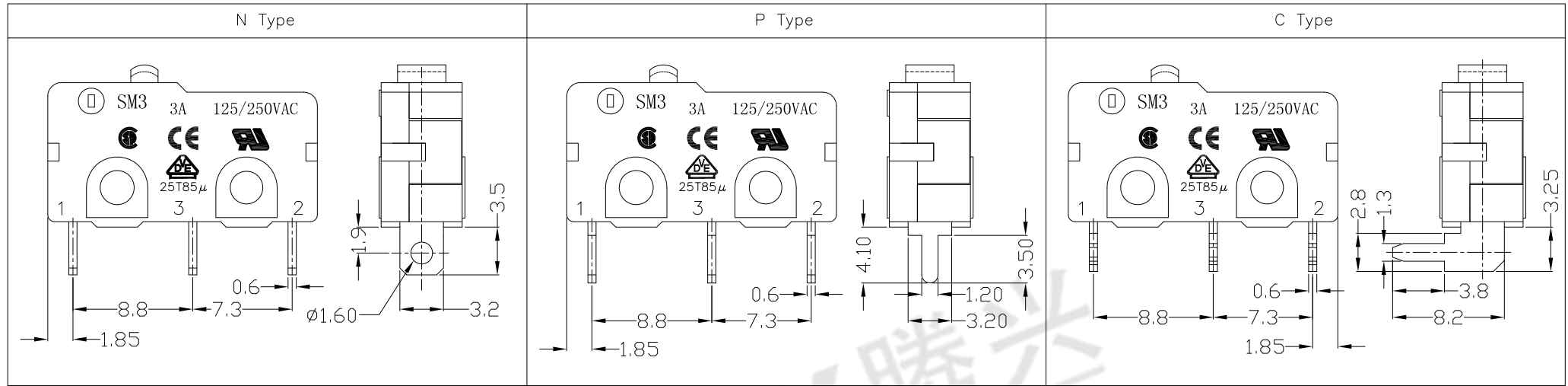
Tolerance:±0.2	UNITS mm	东莞市腾兴电子有限公司				
	MAT'L					
	SEE NOTE	TITLE:	PART NO.:			
	FINISH	MICRO SWITCH SM3 SERIES	SM3-03N-XXS-C31			
	SEE NOTE	DR: Ricky 2017/4/11	DWG NO.:			
	Q'TY	CHKD: Ricky 2017/4/11	ATD-03X-XXS-C31			
THESE DRAWINGS AND SPECIFICATIONS ARE THE PROPERTY OF ACCURATE INNOTECH INC AND SHALL NOT BE REPRODUCED, COPIED OR USED IN ANY MANNER WITHOUT THE PRIOR WRITTEN CONSENT OF ACCURATE INNOTECH INC.		APPD:	SCALE	SHEET	REV.	CUSTOMER DRAWING
			1:1	1/2	A	



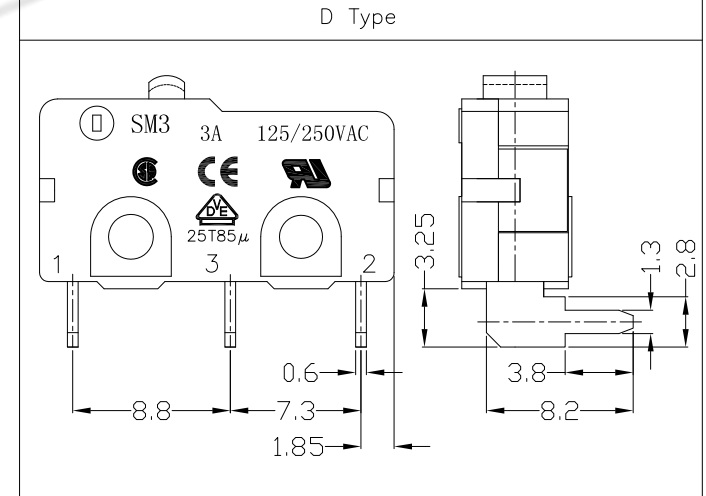
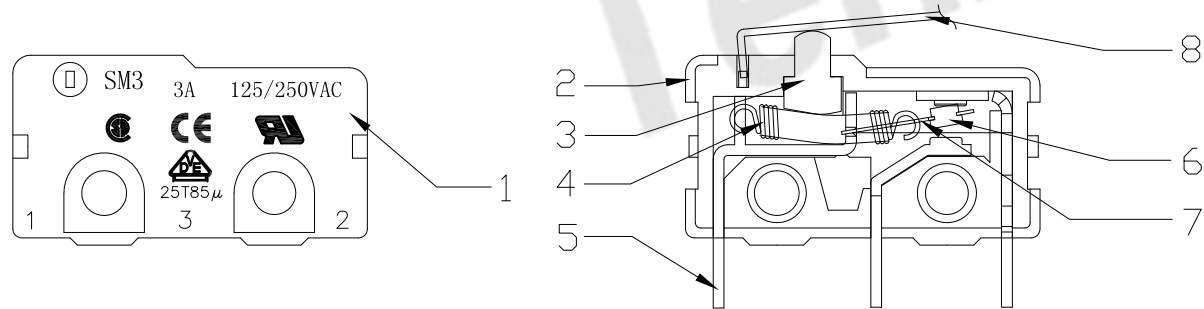
RoHS
Compliant
2002/95/EC

REV.	ECN.	NO.	APPD.

Terminal Type



Structure chart



Material list

NO.	PARTS	MATERIAL	Q'TY	FINISHING
8	Lever	SUS301	1	
7	Change Plate	C5210	1	
6	Contact	Silver alloy	1	
5	Terminal	C2680	3	
4	Spring	SUS304	1	
3	Button	PBT	1	
2	Lower Housing	PBT	1	
1	Upper Housing	PBT	1	

Tolerance: ±0.2

UNITS mm

MAT'L

SEE NOTE

FINISH

SEE NOTE

Q'TY

THESE DRAWINGS AND SPECIFICATIONS ARE THE PROPERTY OF ACCURATE INNOVATION INC AND SHALL NOT BE REPRODUCED, COPIED OR USED IN ANY MANNER WITHOUT THE PRIOR WRITTEN CONSENT OF ACCURATE INNOVATION INC.

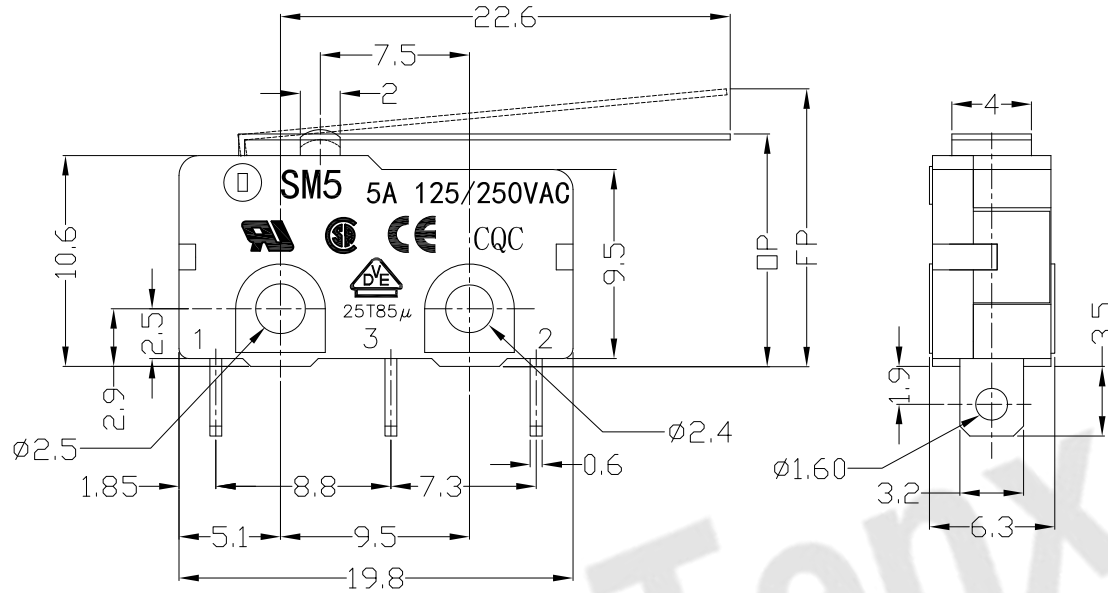
东莞市腾兴电子有限公司			
TITLE: MICRO SWITCH SM3 SERIES		PART NO.: SM3-03X-XXS-C31	
DR: Ricky 2017/4/11		DWG NO.: ATD-03X-XXS-C31	
CHKD: Ricky 2017/4/11		SCALE	SHEET
APPD:		11	2/2
		REV.	CUSTOMER DRAWING
		A	



RoHS
Compliant
2002/95/EC

REV.	ECN.	NO.	APPD.

DIMENSIONS

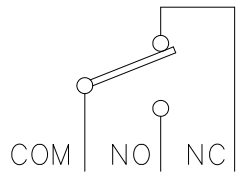


MODEL CODE

SM 5 - 00 X - XX S - C51

1 2 3 4 5 6 7

- Series : SM
- Current Rating : 5=5A 125/250VAC
- Actuator : 00=Non-lever 01-99=Lever
- Termination : see chart (N/P/C/D/L)
(2=SPST-NO / 3=SPST-NC)
- Operating Force : see chart
- Spring Material:S=SUS304
- Contact type: C51=5Amps Contact



CIRCUIT DIAGRAM

1.Functional spec

1.1 Rated Voltage(AC)	125/250VAC
1.2 Rated Current(AC)	5A
1.3 Contact Resistance	≤100mΩ(Initial value)
1.4 Operating Force	18±10gf 28±12gf 45±20gf
1.5 Bounce Time	
1.6 Free Position	15.0±1.5mm
1.7 Operating Position	12.4±1.3mm
1.8 Position Travel	
1.9 Return Force	

2.Reliable Rating

2.1 Mechanical Life	1,000,000 CYCLES
2.2 Electrical Life	10,000 CYCLES
2.3 Insulation Resistance	≥100MΩ DC500V
2.4 Withstand Voltage	AC1000V 1 minute
2.5 Soldering Technic	Hand Soldering
2.6 Operating Temper	-25°C ~ +85°C
2.7 Ambient Humidity Used	<85%RH

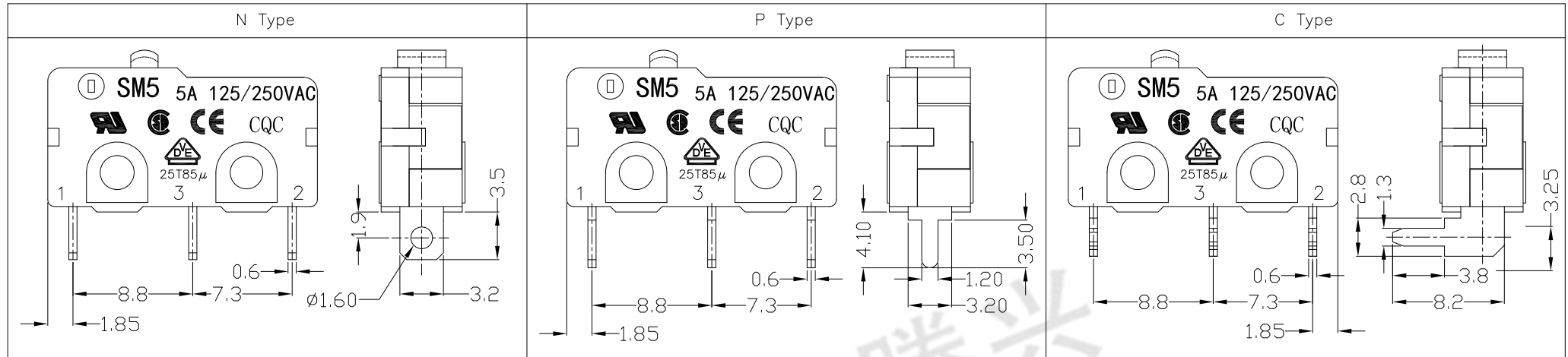
Tolerance:±0.2	UNITS mm	东莞市腾兴电子有限公司				
	MAT'L SEE NOTE					TITLE: MICRO SWITCH SM5 SERIES
	FINISH SEE NOTE	DR: <i>Ricky</i> 2017/4/12	DWG NO.: ATD-03X-XXS-C51			
	Q'TY	CHKD: <i>Ricky</i> 2017/4/12	SCALE	SHEET	REV.	CUSTOMER
THESE DRAWINGS AND SPECIFICATIONS ARE THE PROPERTY OF ACCURATE INNOTECH INC AND SHALL NOT BE REPRODUCED, COPIED OR USED IN ANY MANNER WITHOUT THE PRIOR WRITTEN CONSENT OF ACCURATE INNOTECH INC.		APPD:	1:1	1/2	A	DRAWING



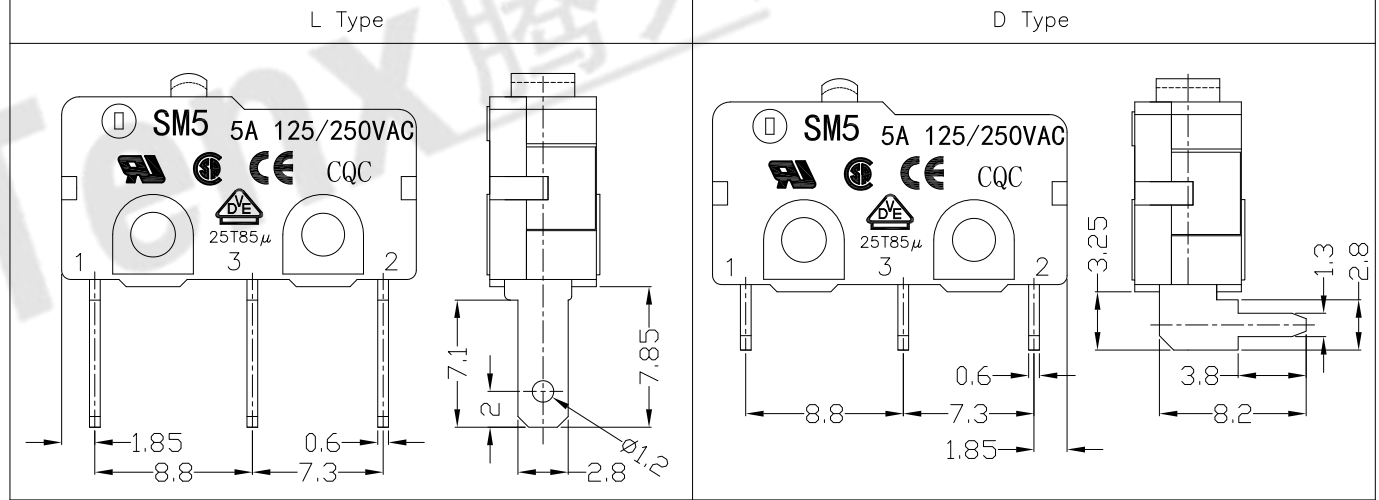
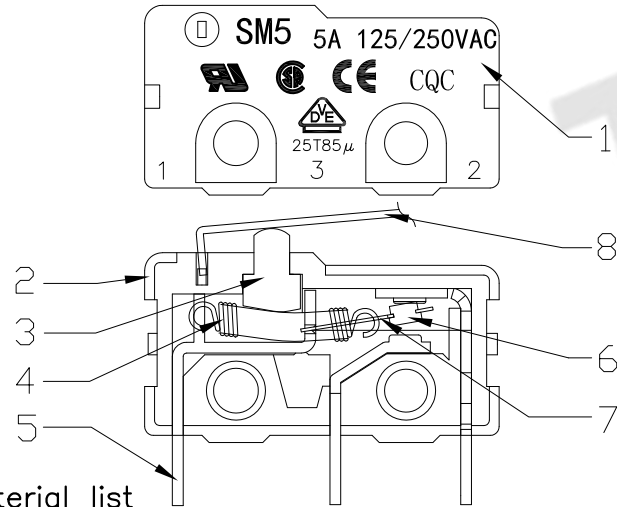
RoHS
Compliant
2002/95/EC

REV.	ECN. NO.	APPD.

Terminal Type



Structure chart



Material list

NO.	PARTS	MATERIAL	Q'TY	FINISHING
8	Lever	SUS301	1	
7	Change Plate	C5210	1	
6	Contact	Silver alloy	3	
5	Terminal	C2680	3	
4	Spring	SUS304	1	
3	Button	PBT	1	
2	Lower Housing	PBT	1	
1	Upper Housing	PBT	1	

Tolerance: ±0.2

UNITS mm

MAT'L

SEE NOTE

FINISH

SEE NOTE

Q'TY

THESE DRAWINGS AND SPECIFICATIONS ARE THE PROPERTY OF ACCURATE INNOTECH INC AND SHALL NOT BE REPRODUCED, COPIED OR USED IN ANY MANNER WITHOUT THE PRIOR WRITTEN CONSENT OF ACCURATE INNOTECH INC.

东莞市腾兴电子有限公司			
TITLE:	MICRO SWITCH SM5 SERIES	PART NO.:	SM5-03X-XXS-C51
DR:	Ricky 2017/4/12	DWG NO.:	ATD-03X-XXS-C51
CHKD:	Ricky 2017/4/12	SCALE	1:1
APPD:		SHEET	2/2
		REV.	A
		CUSTOMER DRAWING	