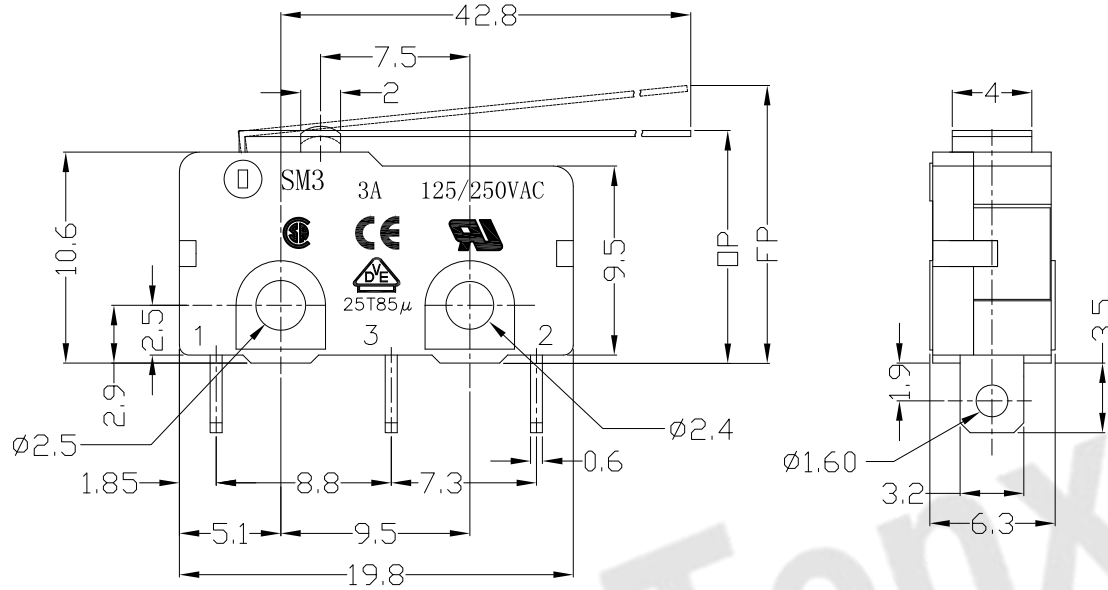




RoHS
Compliant
2002/95/EC

REV.	ECN.	NO.	APPD.

DIMENSIONS

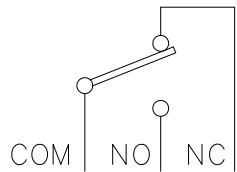


MODEL CODE

SM 3- 00 X-XX S-C31

1 2 3 4 5 6 7

- 1.Series : SM
- 2.Current Rating : 3=3A 125/250VAC
- 3.Actuator : 00=Non-lever 01-99=Lever
- 4.Termination : see chart (N/P/C/D)
(2=SPST-NO / 3=SPST-NC)
- 5.Operating Force : see chart
- 6.Spring Material:S=SUS304
- 7.Contact type: C31=3Amps Contact



CIRCUIT DIAGRAM

1.Functional spec

1.1 Rated Voltage(AC)	125/250VAC		
1.2 Rated Current(AC)	3A		
1.3 Contact Resistance	≤100mΩ(Initial value)		
1.4 Operating Force	14±6gf	20±8gf	25±12gf
1.5 Bounce Time			
1.6 Free Position	17.5±1.5mm		
1.7 Operating Position	13.0±2.0mm		
1.8 Position Travel			
1.9 Return Force			

2.Reliable Rating

2.1 Mechanical Life	1,000,000 CYCLES
2.2 Electrical Life	10,000 CYCLES
2.3 Insulation Resistance	≥100MΩ DC500V
2.4 Withstand Voltage	AC1000V 1 minute
2.5 Soldering Technic	Hand Soldering
2.6 Operating Temper	-25°C ~ +85°C
2.7 Ambient Humidity Used	<85%RH

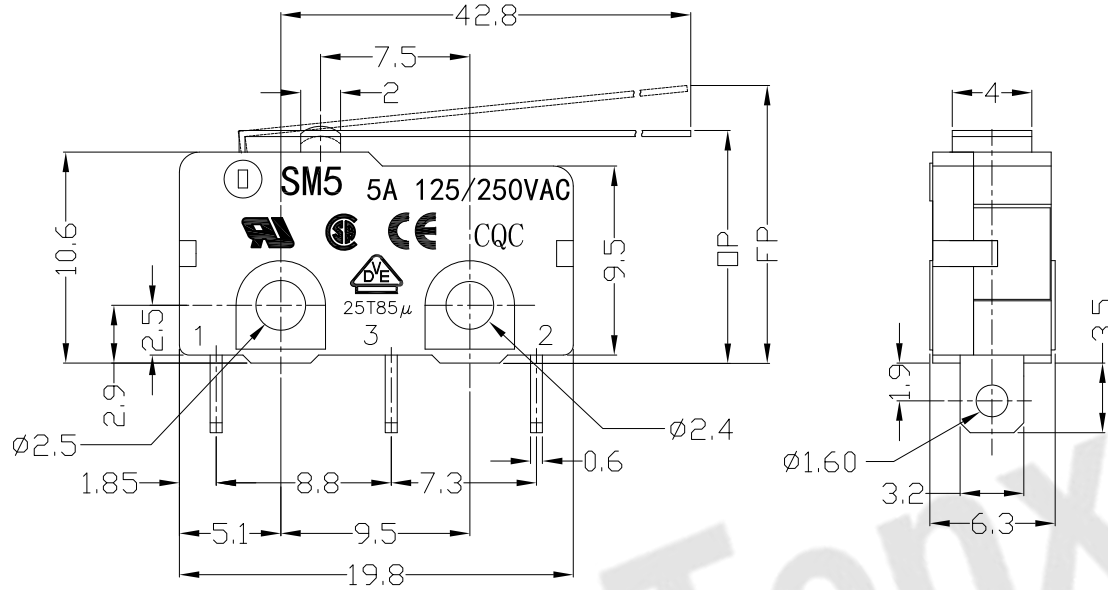
Tolerance:±0.2	UNITS mm	东莞市腾兴电子有限公司				
	MAT'L SEE NOTE					
	FINISH SEE NOTE	TITLE: MICRO SWITCH SM3 SERIES	PART NO.: SM3-07N-XXS-C31			
	Q'TY	DR: <i>Ricky</i> 2017/4/11	DWG NO.: ATD-07X-XXS-C31			
<small>THESE DRAWINGS AND SPECIFICATIONS ARE THE PROPERTY OF ACCURATE INNOTECH INC AND SHALL NOT BE REPRODUCED, COPIED OR USED IN ANY MANNER WITHOUT THE PRIOR WRITTEN CONSENT OF ACCURATE INNOTECH INC.</small>		CHKD: <i>Ricky</i> 2017/4/11	SCALE	SHEET	REV.	CUSTOMER DRAWING
		APPD:	1:1	1/2	A	



RoHS
Compliant
2002/95/EC

REV.	ECN.	NO.	APPD.

DIMENSIONS

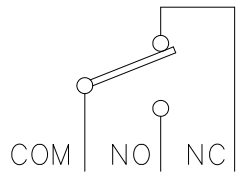


MODEL CODE

SM 5 - 00 X - XX S - C51

1 2 3 4 5 6 7

1. Series : SM
2. Current Rating : 5=5A 125/250VAC
3. Actuator : 00=Non-lever 01-99=Lever
4. Termination : see chart (N/P/C/D/L)
(2=SPST-NO / 3=SPST-NC)
5. Operating Force : see chart
6. Spring Material: S=SUS304
7. Contact type: C51=5Amps Contact



CIRCUIT DIAGRAM

1. Functional spec

1.1 Rated Voltage(AC)	125/250VAC
1.2 Rated Current(AC)	5A
1.3 Contact Resistance	≤100mΩ(Initial value)
1.4 Operating Force	14±6gf 20±8gf 25±12gf
1.5 Bounce Time	
1.6 Free Position	17.5±1.5mm
1.7 Operating Position	13.0±2.0mm
1.8 Position Travel	
1.9 Return Force	

2. Reliable Rating

2.1 Mechanical Life	1,000,000 CYCLES
2.2 Electrical Life	10,000 CYCLES
2.3 Insulation Resistance	≥100MΩ DC500V
2.4 Withstand Voltage	AC1000V 1 minute
2.5 Soldering Technic	Hand Soldering
2.6 Operating Temper	-25°C ~ +85°C
2.7 Ambient Humidity Used	<85%RH

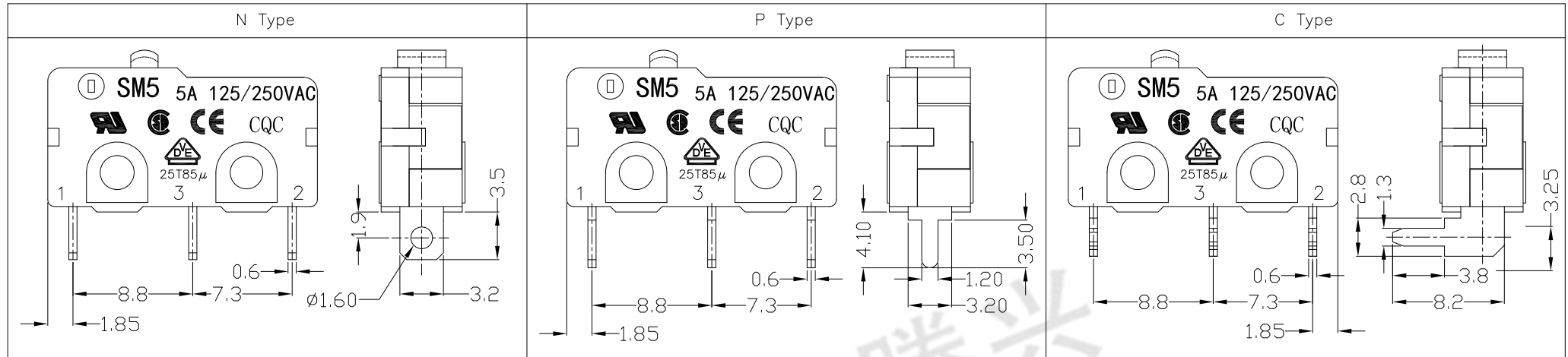
Tolerance: ±0.2		UNITS mm		东莞市腾兴电子有限公司			
		MAT'L	SEE NOTE	TITLE: MICRO SWITCH SM5 SERIES		PART NO.: SM5-07N-XXS-C51	
		FINISH	SEE NOTE	DR: Ricky 2017/4/12		DWG NO.: ATD-07X-XXS-C51	
		Q'TY		CHKD: Ricky 2017/4/12		SCALE	SHEET
THESE DRAWINGS AND SPECIFICATIONS ARE THE PROPERTY OF ACCURATE INNOTECH INC AND SHALL NOT BE REPRODUCED, COPIED OR USED IN ANY MANNER WITHOUT THE PRIOR WRITTEN CONSENT OF ACCURATE INNOTECH INC.				APPD:		11	1/2
						REV. A	CUSTOMER DRAWING



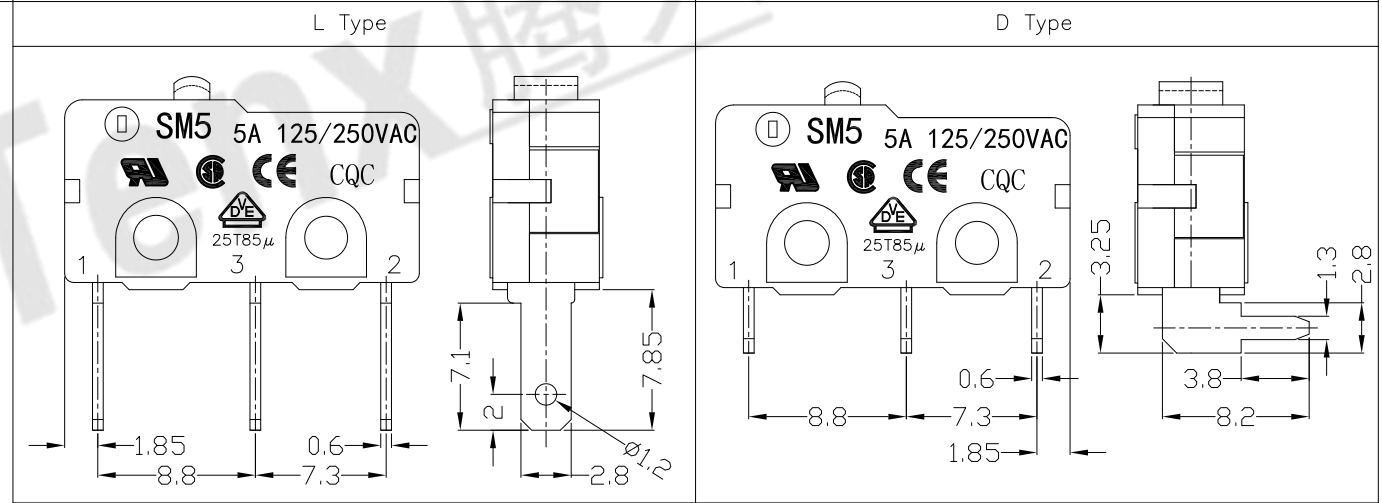
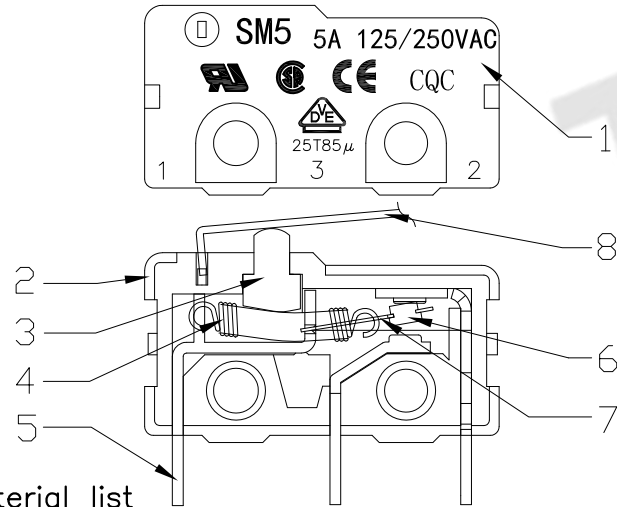
RoHS
Compliant
2002/95/EC

REV.	ECN.	NO.	APPD.

Terminal Type



Structure chart



Material list

NO.	PARTS	MATERIAL	Q'TY	FINISHING	Tolerance:±0.2	UNITS	东莞市腾兴电子有限公司				
8	Lever	SUS301	1		mm	MAT'L	TITLE:		PART NO.:		
7	Change Plate	C5210	1				SEE NOTE	MICRO SWITCH SM5 SERIES		SM5-07X-XXS-C51	
6	Contact	Silver alloy	3		FINISH	SEE NOTE	DR: Ricky 2017/4/12		DWG NO.:		
5	Terminal	C2680	3				Ricky 2017/4/12		ATD-07X-XXS-C51		
4	Spring	SUS304	1		Q'TY	SEE NOTE	CHKD: Ricky 2017/4/12		SCALE		
3	Button	PBT	1				Ricky 2017/4/12		1:1	SHEET	REV.
2	Lower Housing	PBT	1		APPD:	SEE NOTE	Ricky 2017/4/12		2/2	A	DRAWING
1	Upper Housing	PBT	1				Ricky 2017/4/12		APPD:		DRAWING

THESE DRAWINGS AND SPECIFICATIONS ARE THE PROPERTY OF ACCURATE INNOTECH INC AND SHALL NOT BE REPRODUCED, COPIED OR USED IN ANY MANNER WITHOUT THE PRIOR WRITTEN CONSENT OF ACCURATE INNOTECH INC.

