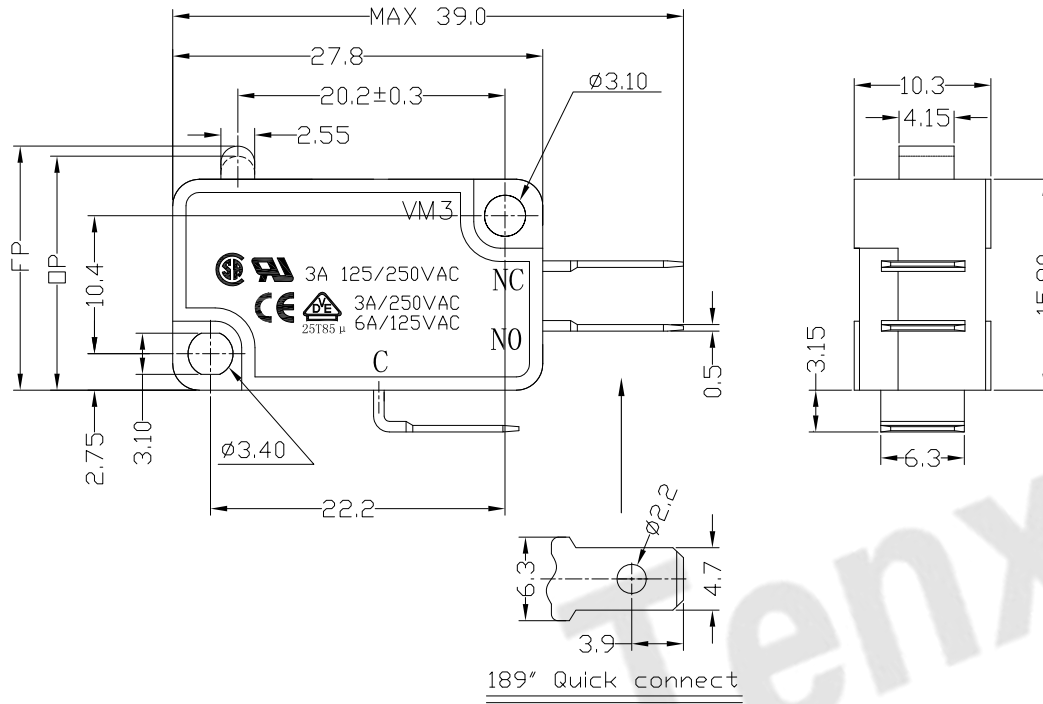




RoHS  
Compliant  
2002/95/EC

REV.	ECN.	NO.	APPD.

### DIMENSIONS

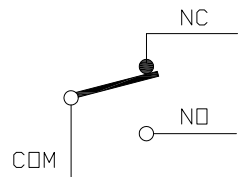


### MODEL CODE

VM 3- 00 X-XXS-U56

1 2 3 4 5 6 7

- 1.Series : VM
- 2.Current Rating : 3=3A 125/250VAC
- 3.Actuator : 00=Non-lever 01=99=Lever
- 4.Termination : see chart (N/K)  
(2=SPST-NO / 16=SPST-NC)
- 5.Operating Force : see chart
- 6.Spring Material:S=SUS304
- 7.Contact type: U56=3Amps Contact



### CIRCUIT DIAGRAM

### 1.Functional spec

1.1 Rated Voltage(AC)	125/250VAC
1.2 Rated Current(AC)	3A
1.3 Contact Resistance	≤100mΩ(Initial value)
1.4 Operating Force	110±30gf   160±40gf   250±50gf
1.5 Bounce Time	
1.6 Free Position	18.4±0.5mm
1.7 Operating Position	17.5±0.5mm
1.8 Position Travel	
1.9 Return Force	

### 2.Reliable Rating

2.1 Mechanical Life	1,000,000 CYCLES
2.2 Electrical Life	10,000 CYCLES
2.3 Insulation Resistance	≥100MΩ DC500V
2.4 Withstand Voltage	AC1500V 1 minute
2.5 Soldering Technic	Hand Soldering
2.6 Operating Temper	-25°C ~ +85°C
2.7 Ambient Humidity Used	<85%RH

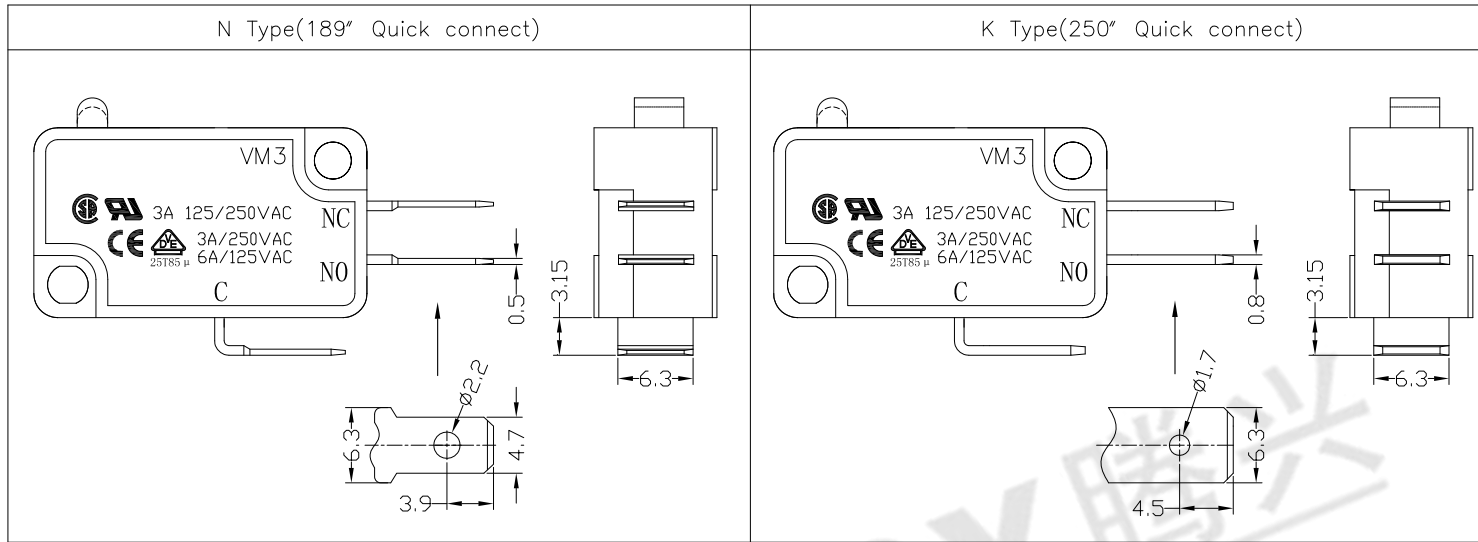
Tolerance:±0.2		UNITS	东莞市腾兴电子有限公司			
		mm				
		MAT'L	SEE NOTE		TITLE: MICRO SWITCH VM3 SERIES	
		FINISH	SEE NOTE		PART NO.: VM3-00N-XXS-U56	
		Q'TY	DR: Ricky 2017/5/9		DWG NO.: ATD-00X-XXS-U56	
<small>THESE DRAWINGS AND SPECIFICATIONS ARE THE PROPERTY OF ACCURATE INNO TECH INC AND SHALL NOT BE REPRODUCED, COPIED OR USED IN ANY MANNER WITHOUT THE PRIOR WRITTEN CONSENT OF ACCURATE INNO TECH INC.</small>			CHKD: Ricky 2017/5/9		SCALE	SHEET
			APPD:		1:1	1/2



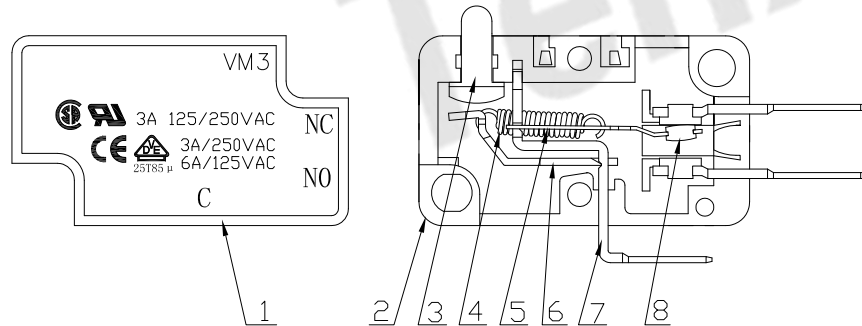
RoHS  
Compliant  
2002/95/EC

REV.	ECN.	NO.	APPD.

### Terminal Type



### Structure chart



### Material list

NO.	PARTS	MATERIAL	Q'TY	FINISHING	Tolerance:±0.2	UNITS	东莞市腾兴电子有限公司					
8	Contact	Silver alloy	3		mm	SEE NOTE	TITLE: MICRO SWITCH VM3 SERIES		PART NO.: VM3-00X-XXS-U56			
7	Terminal	C2680	3	Silver Plating			SEE NOTE	DR: Ricky 2017/5/9		DWG NO.: ATD-00X-XXS-U56		
6	Fixed Rod	C2680	1		SEE NOTE	Q'TY		CHKD: Ricky 2017/5/9		SCALE	SHEET	REV.
5	Change Plate	C5210	1				SEE NOTE	APPD:	1:1		2/2	A
4	Spring	SUS304	1		SEE NOTE	APPD:			1:1		2/2	A
3	Buton	PBT	1	Gray			SEE NOTE	APPD:	1:1		2/2	A
2	Lower Housing	PBT	1	Black	SEE NOTE	APPD:			1:1		2/2	A
1	Upper Housing	PBT	1	Black			SEE NOTE	APPD:	1:1		2/2	A
8	Contact	Silver alloy	3		SEE NOTE	APPD:			1:1		2/2	A
7	Terminal	C2680	3	Silver Plating			SEE NOTE	APPD:	1:1		2/2	A

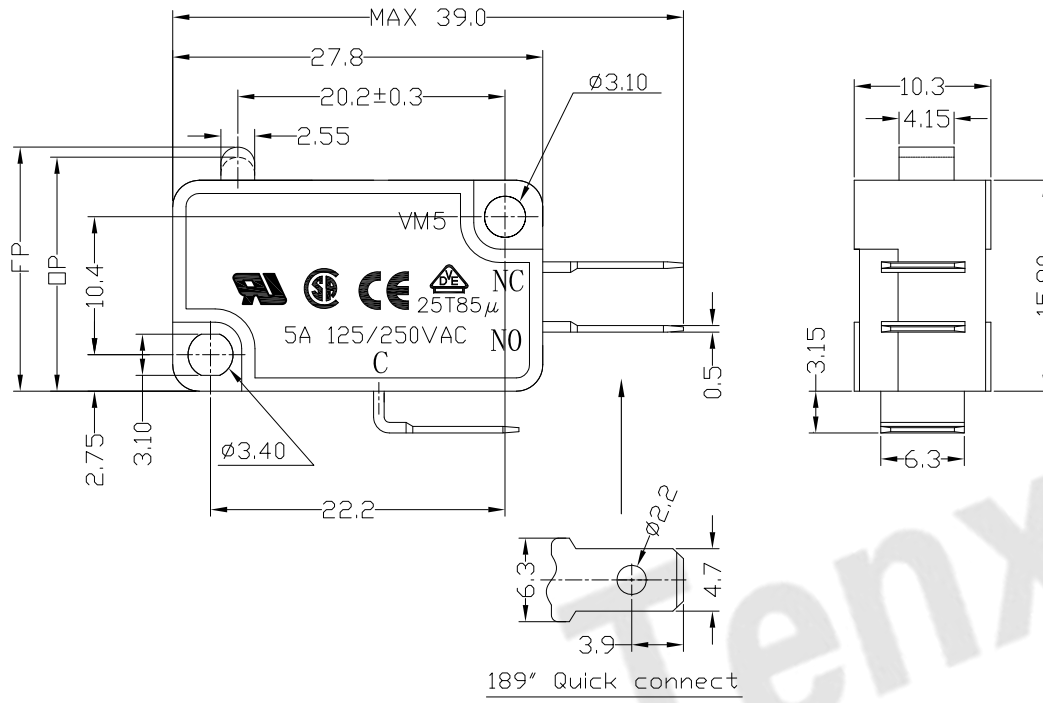
THESE DRAWINGS AND SPECIFICATIONS ARE THE PROPERTY OF ACCURATE INNOVATECH INC AND SHALL NOT BE REPRODUCED, COPIED OR USED IN ANY MANNER WITHOUT THE PRIOR WRITTEN CONSENT OF ACCURATE INNOVATECH INC.



RoHS  
Compliant  
2002/95/EC

REV.	ECN.	NO.	APPD.

### DIMENSIONS

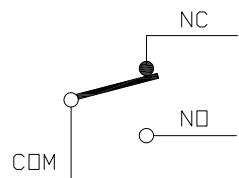


### MODEL CODE

VM 5- 00 X-XXS-U10

1 2 3 4 5 6 7

- 1.Series : VM
- 2.Current Rating : 5=5A 125/250VAC
- 3.Actuator : 00=Non-lever 01=99=Lever
- 4.Termination : see chart (N/K)  
(2=SPST-NO / 16=SPST-NC)
- 5.Operating Force : see chart
- 6.Spring Material:S=SUS304
- 7.Contact type: U10=5Amps Contact



### CIRCUIT DIAGRAM

### 1.Functional spec

1.1 Rated Voltage(AC)	125/250VAC
1.2 Rated Current(AC)	5A
1.3 Contact Resistance	≤100mΩ(Initial value)
1.4 Operating Force	110±30gf   160±40gf   250±50gf
1.5 Bounce Time	
1.6 Free Position	18.4±0.5mm
1.7 Operating Position	17.5±0.5mm
1.8 Position Travel	
1.9 Return Force	

### 2.Reliable Rating

2.1 Mechanical Life	1,000,000 CYCLES
2.2 Electrical Life	10,000 CYCLES
2.3 Insulation Resistance	≥100MΩ DC500V
2.4 Withstand Voltage	AC1500V 1 minute
2.5 Soldering Technic	Hand Soldering
2.6 Operating Temper	-25°C ~ +85°C
2.7 Ambient Humidity Used	<85%RH

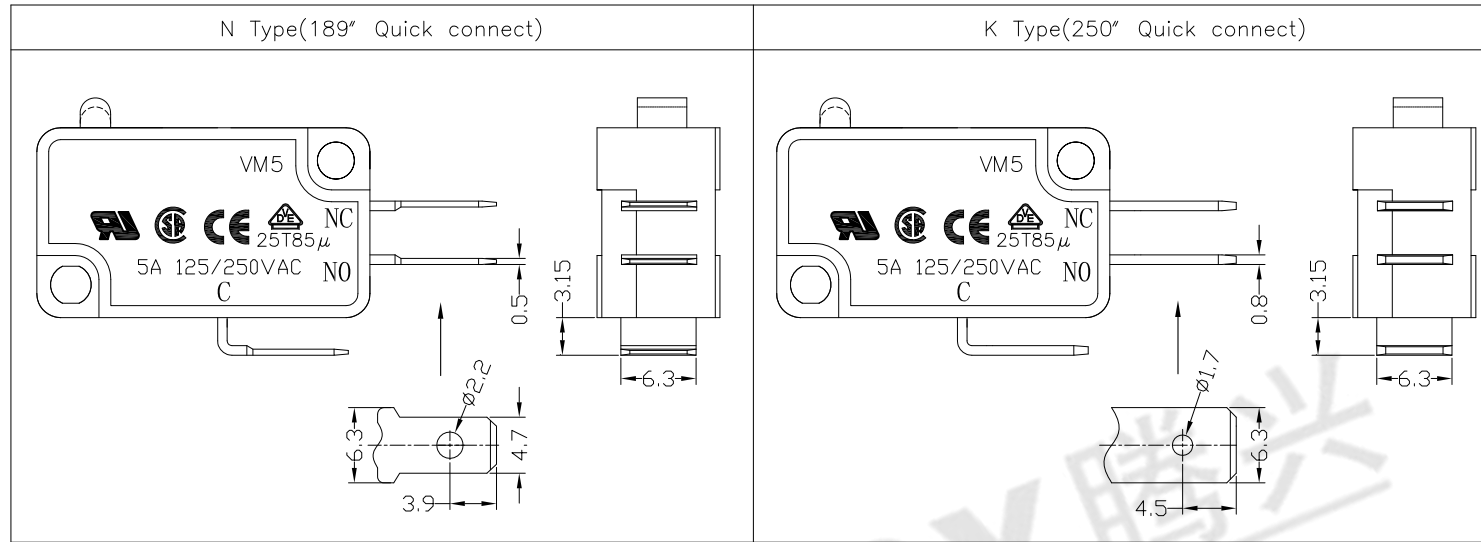
Tolerance:±0.2	UNITS mm	东莞市腾兴电子有限公司			
	MAT'L				
	SEE NOTE	TITLE: MICRO SWITCH VM5 SERIES	PART NO.: VM5-00N-XXS-U10		
	FINISH	DR: Ricky 2017/5/11	DWG NO.: ATD-00X-XXS-U10		
	SEE NOTE	CHKD: Ricky 2017/5/11	SCALE	SHEET	REV.
	Q'TY	APPD:	1:1	1/2	A
THESE DRAWINGS AND SPECIFICATIONS ARE THE PROPERTY OF ACCURATE INNOVATECH INC AND SHALL NOT BE REPRODUCED, COPIED OR USED IN ANY MANNER WITHOUT THE PRIOR WRITTEN CONSENT OF ACCURATE INNOVATECH INC.			CUSTOMER DRAWING		



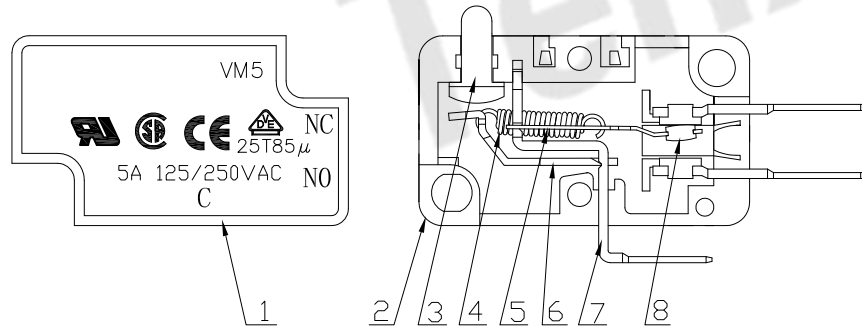
RoHS  
Compliant  
2002/95/EC

REV.	ECN.	NO.	APPD.

### Terminal Type



### Structure chart



### Material list

NO.	PARTS	MATERIAL	Q'TY	FINISHING	Tolerance:±0.2	UNITS	东莞市腾兴电子有限公司					
8	Contact	Silver alloy	3		mm	SEE NOTE	TITLE: MICRO SWITCH VM5 SERIES		PART NO.: VM5-00X-XXS-U10			
7	Terminal	C2680	3	Silver Plating			SEE NOTE	DR: Ricky 2017/5/11		DWG NO.: ATD-00X-XXS-U10		
6	Fixed Rod	C2680	1		SEE NOTE	Q'TY		CHKD: Ricky 2017/5/11		SCALE	SHEET	REV.
5	Change Plate	C5210	1				SEE NOTE	APPD:	1:1	2/2	A	DRAWING
4	Spring	SUS304	1		SEE NOTE	APPD:						
3	Buton	PBT	1	Gray			SEE NOTE	APPD:				
2	Lower Housing	PBT	1	Black	SEE NOTE	APPD:						
1	Upper Housing	PBT	1	Black			SEE NOTE	APPD:				
8	Contact	Silver alloy	3									

THESE DRAWINGS AND SPECIFICATIONS ARE THE PROPERTY OF ACCURATE INNO TECH INC AND SHALL NOT BE REPRODUCED, COPIED OR USED IN ANY MANNER WITHOUT THE PRIOR WRITTEN CONSENT OF ACCURATE INNO TECH INC.

