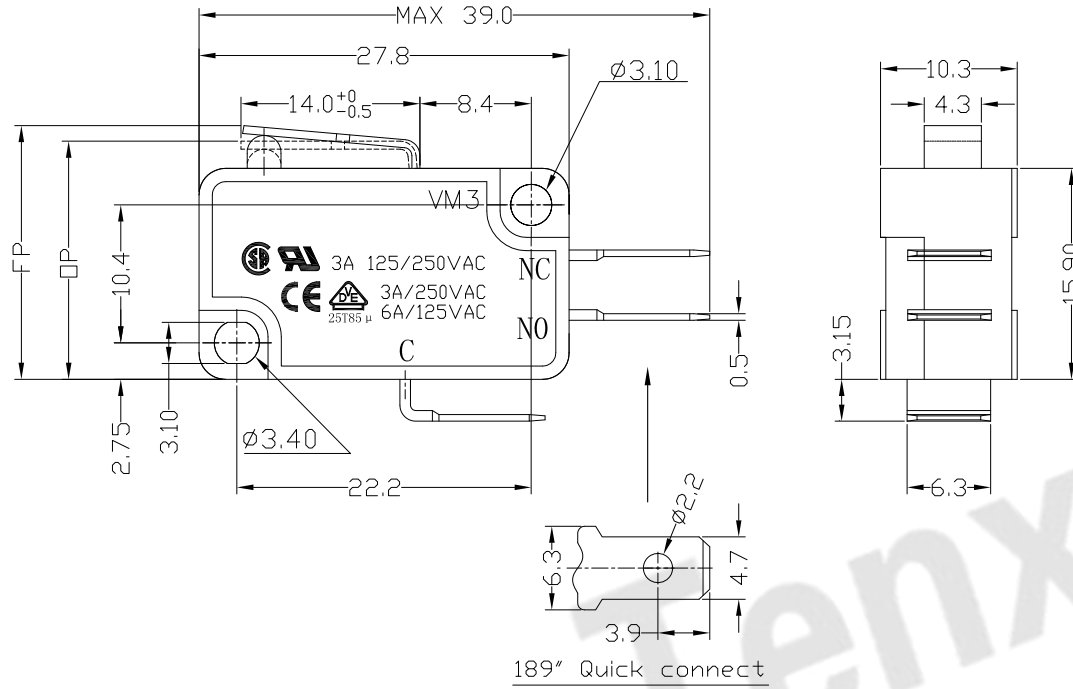




RoHS
Compliant
2002/95/EC

REV.	ECN.	NO.	APPD.

DIMENSIONS



1.Functional spec

1.1 Rated Voltage(AC)	125/250VAC
1.2 Rated Current(AC)	3A
1.3 Contact Resistance	≤100mΩ(Initial value)
1.4 Operating Force	110±30gf 160±40gf 250±50gf
1.5 Bounce Time	
1.6 Free Position	19.1±0.5mm
1.7 Operating Position	18.1±0.5mm
1.8 Position Travel	
1.9 Return Force	

2.Reliable Rating

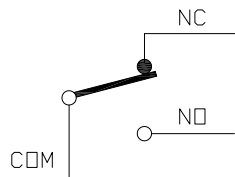
2.1 Mechanical Life	1,000,000 CYCLES
2.2 Electrical Life	10,000 CYCLES
2.3 Insulation Resistance	≥100MΩ DC500V
2.4 Withstand Voltage	AC1500V 1 minute
2.5 Soldering Technic	Hand Soldering
2.6 Operating Temper	-25°C ~ +85°C
2.7 Ambient Humidity Used	<85%RH

MODEL CODE

VM 3- 01 X-XXS-U56

1 2 3 4 5 6 7

- 1.Series : VM
- 2.Current Rating : 3=3A 125/250VAC
- 3.Actuator : 00=Non-lever 01=99=Lever
- 4.Termination : see chart (N/K)
(2=SPST-NO / 16=SPST-NC)
- 5.Operating Force : see chart
- 6.Spring Material:S=SUS304
- 7.Contact type: U56=3Amps Contact



CIRCUIT DIAGRAM

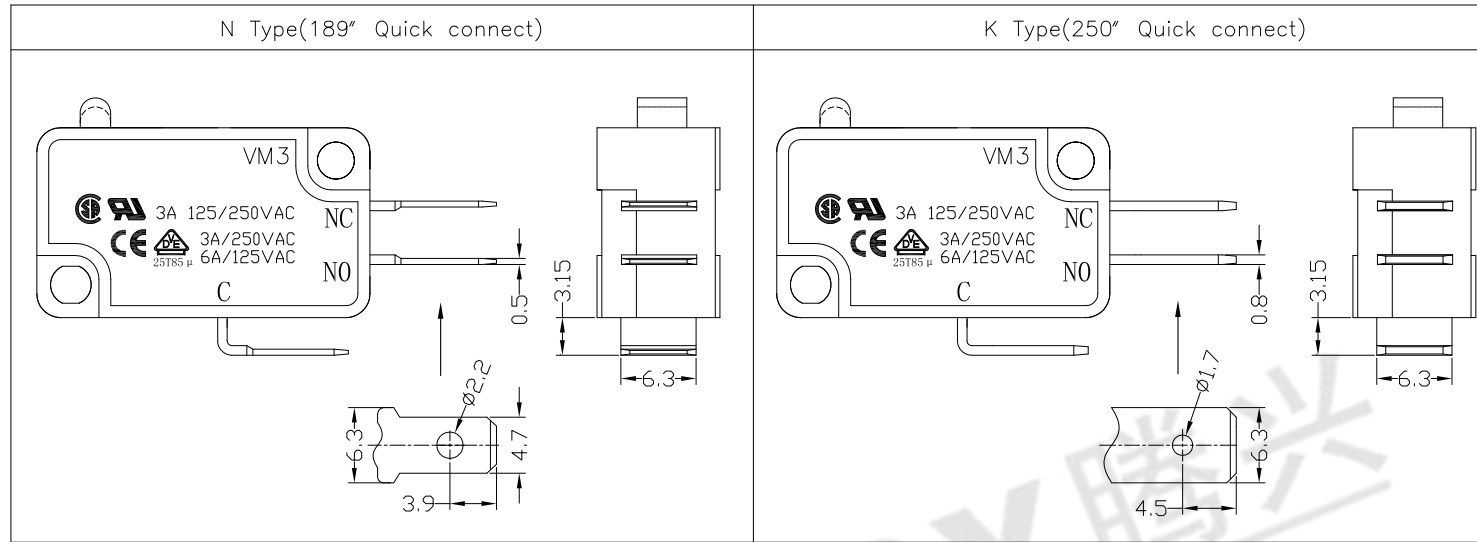
Tolerance:±0.2		UNITS	东莞市腾兴电子有限公司			
		mm				
		MAT'L	SEE NOTE		TITLE: MICRO SWITCH VM3 SERIES	
		FINISH	SEE NOTE		PART NO.: VM3-01N-XXS-U56	
		Q'TY	DR: Ricky 2017/5/10		DWG NO.: ATD-01X-XXS-U56	
<small>THESE DRAWINGS AND SPECIFICATIONS ARE THE PROPERTY OF ACCURATE INNOTECH INC AND SHALL NOT BE REPRODUCED, COPIED OR USED IN ANY MANNER WITHOUT THE PRIOR WRITTEN CONSENT OF ACCURATE INNOTECH INC.</small>			CHKD: Ricky 2017/5/10		SCALE	
			APPD:		1:1	SHEET
					1/2	A



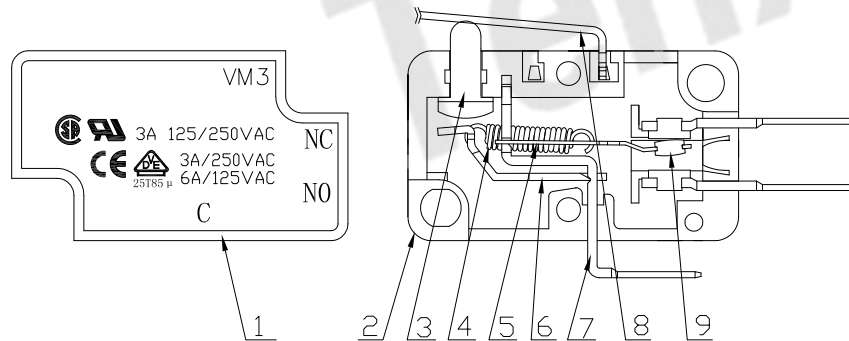
RoHS
Compliant
2002/95/EC

REV.	ECN.	NO.	APPD.

Terminal Type



Structure chart



Material list

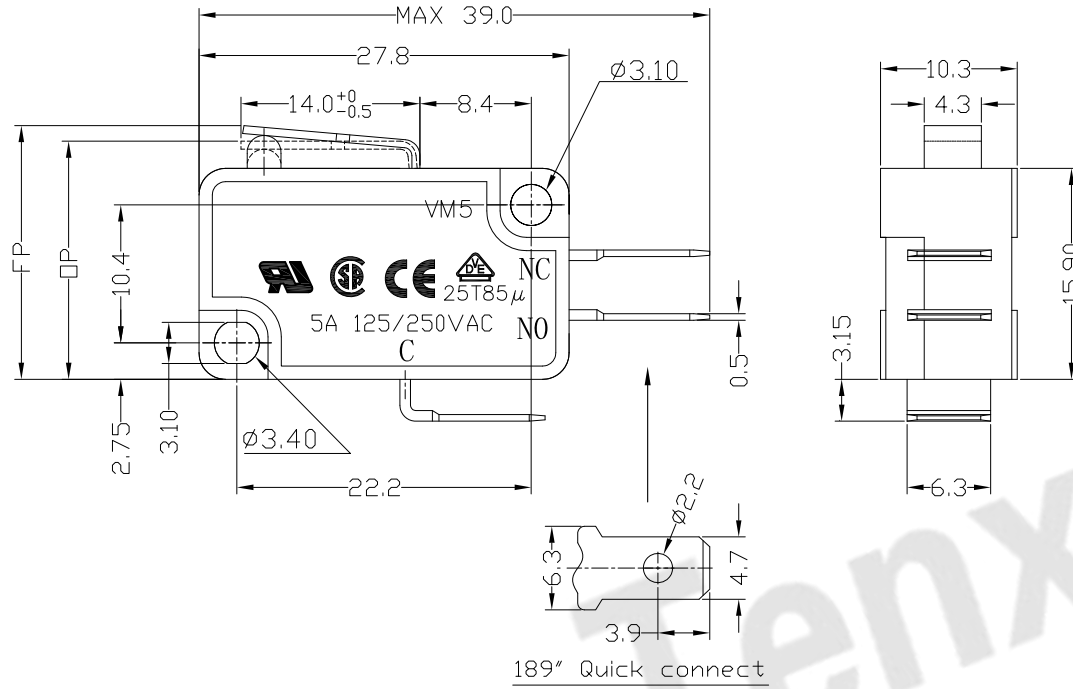
NO.	PARTS	MATERIAL	Q'TY	FINISHING	Tolerance:±0.2	UNITS	东莞市腾兴电子有限公司					
9	Contact	Silver alloy	3		mm	SEE NOTE	TITLE: MICRO SWITCH VM3 SERIES		PART NO.: VM3-01X-XXS-U56			
8	Lever	SUS301	1				SEE NOTE	DR: Ricky 2017/5/10		DWG NO.: ATD-01X-XXS-U56		
7	Terminal	C2680	3		Q'TY	SEE NOTE		CHKD: Ricky 2017/5/10		SCALE	SHEET	REV.
6	Fixed Rod	C2680	1				APPD:	1:1		2/2	A	DRAWING
5	Change Plate	C5210	1		THESE DRAWINGS AND SPECIFICATIONS ARE THE PROPERTY OF ACCURATE INNOTECH INC AND SHALL NOT BE REPRODUCED, COPIED OR USED IN ANY MANNER WITHOUT THE PRIOR WRITTEN CONSENT OF ACCURATE INNOTECH INC.							
4	Spring	SUS304	1									
3	Button	PBT	1	Gray								
2	Lower Housing	PBT	1	Black								
1	Upper Housing	PBT	1	Black								



RoHS
Compliant
2002/95/EC

REV.	ECN. NO.	APPD.

DIMENSIONS



1.Functional spec

1.1 Rated Voltage(AC)	125/250VAC
1.2 Rated Current(AC)	5A
1.3 Contact Resistance	≤100mΩ(Initial value)
1.4 Operating Force	110±30gf 160±40gf 250±50gf
1.5 Bounce Time	
1.6 Free Position	19.1±0.5mm
1.7 Operating Position	18.1±0.5mm
1.8 Position Travel	
1.9 Return Force	

2.Reliable Rating

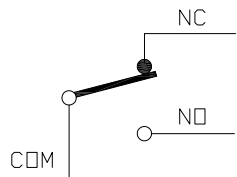
2.1 Mechanical Life	1,000,000 CYCLES
2.2 Electrical Life	10,000 CYCLES
2.3 Insulation Resistance	≥100MΩ DC500V
2.4 Withstand Voltage	AC1500V 1 minute
2.5 Soldering Technic	Hand Soldering
2.6 Operating Temper	-25°C ~ +85°C
2.7 Ambient Humidity Used	<85%RH

MODEL CODE

VM 5- 01 X-XXS-U10

1 2 3 4 5 6 7

- Series : VM
- Current Rating : 5=5A 125/250VAC
- Actuator : 00=Non-lever 01=99=Lever
- Termination : see chart (N/K)
(2=SPST-NO / 16=SPST-NC)
- Operating Force : see chart
- Spring Material:S=SUS304
- Contact type: U10=5Amps Contact



CIRCUIT DIAGRAM

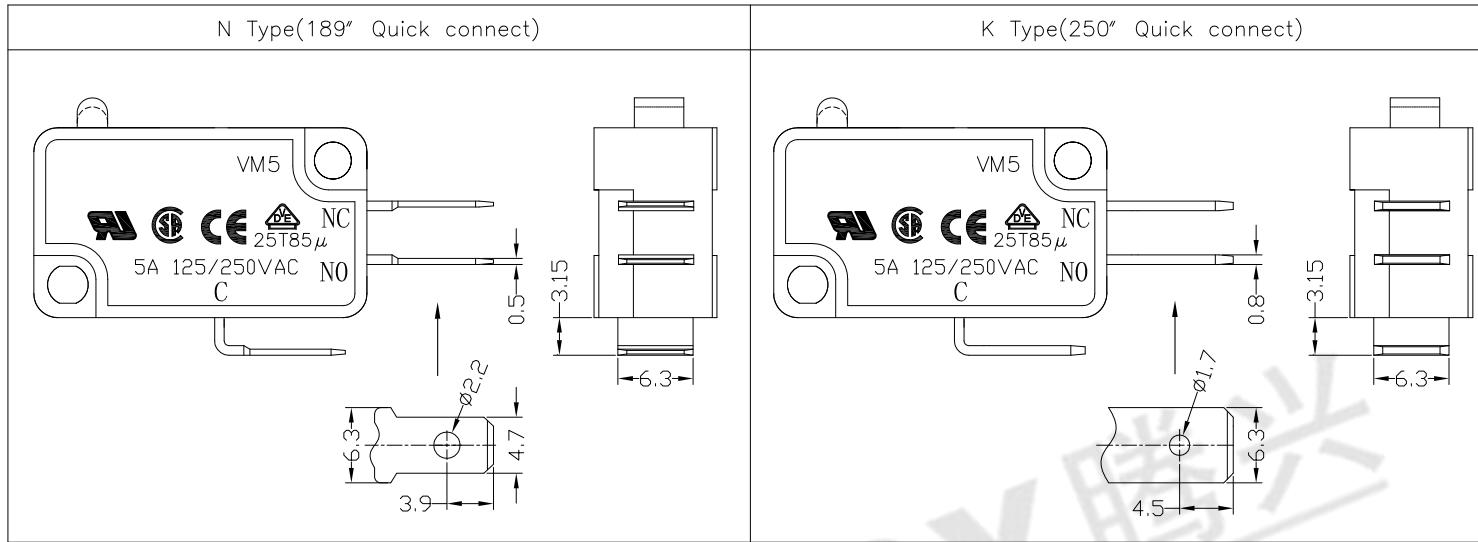
Tolerance:±0.2		UNITS mm	东莞市腾兴电子有限公司			
		MAT'L	TITLE: MICRO SWITCH VM5 SERIES		PART NO: VM5-01N-XXS-U10	
		SEE NOTE	DR: Ricky 2017/5/11		DWG NO: ATD-01X-XXS-U10	
		FINISH	CHKD: Ricky 2017/5/11		SCALE	SHEET
		SEE NOTE	APPD:		1:1	1/2
		Q'TY			REV. A	CUSTOMER DRAWING
THESE DRAWINGS AND SPECIFICATIONS ARE THE PROPERTY OF ACCURATE INNOTECH INC AND SHALL NOT BE REPRODUCED, COPIED OR USED IN ANY MANNER WITHOUT THE PRIOR WRITTEN CONSENT OF ACCURATE INNOTECH INC.						



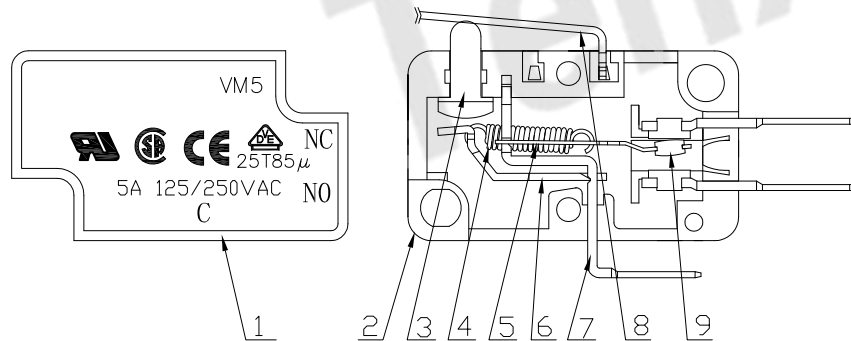
RoHS
Compliant
2002/95/EC

REV.	ECN.	NO.	APPD.

Terminal Type



Structure chart



Material list

NO.	PARTS	MATERIAL	Q'TY	FINISHING	Tolerance:±0.2	UNITS	东莞市腾兴电子有限公司				
9	Contact	Silver alloy	3		mm	SEE NOTE	TITLE:		PART NO.:		
8	Lever	SUS301	1				MICRO SWITCH VM5 SERIES		VM5-01X-XXS-U10		
7	Terminal	C2680	3		SEE NOTE	DR: <i>Ricky</i> 2017/5/11		DWG NO.:			
6	Fixed Rod	C2680	1			ATD-01X-XXS-U10					
5	Change Plate	C5210	1		Q'TY	CHKD: <i>Ricky</i> 2017/5/11		SCALE	SHEET	REV.	CUSTOMER
4	Spring	SUS304	1			1:1	2/2	A	DRAWING		
3	Button	PBT	1	Gray	SEE NOTE	APPD:					
2	Lower Housing	PBT	1	Black							
1	Upper Housing	PBT	1	Black							
9	CONTACT	SILVER ALLOY	3								

THESE DRAWINGS AND SPECIFICATIONS ARE THE PROPERTY OF ACCURATE INNOVATECH INC AND SHALL NOT BE REPRODUCED, COPIED OR USED IN ANY MANNER WITHOUT THE PRIOR WRITTEN CONSENT OF ACCURATE INNOVATECH INC.

