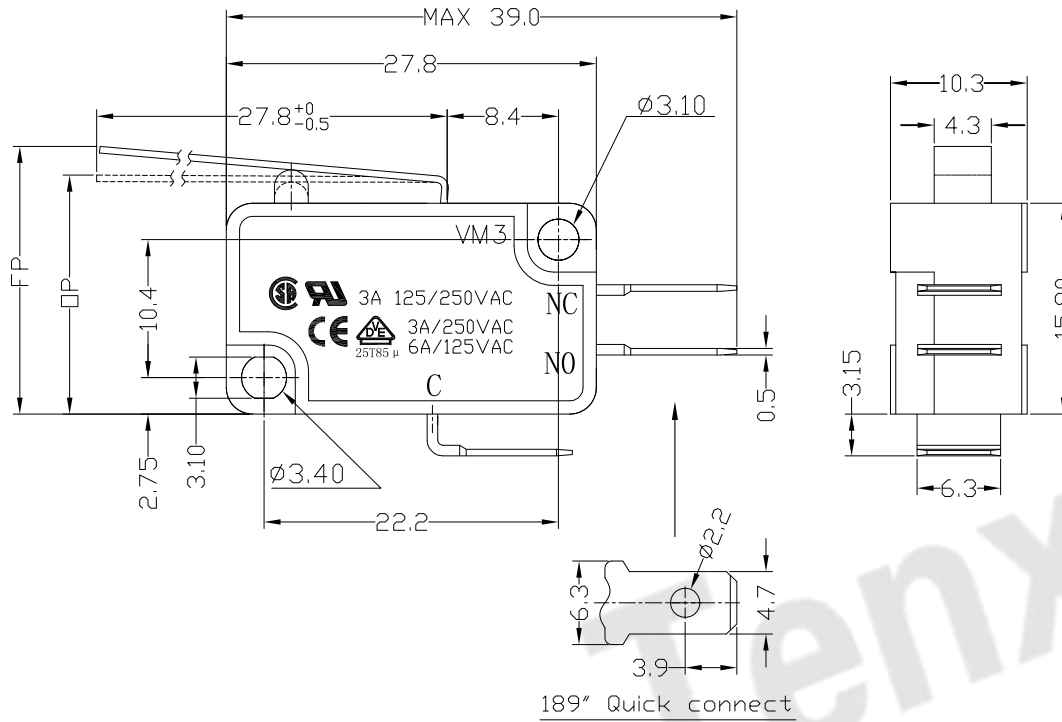




RoHS  
Compliant  
2002/95/EC

REV.	ECN.	NO.	APPD.

### DIMENSIONS

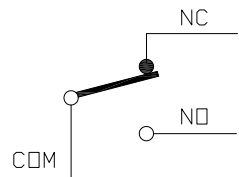


### MODEL CODE

VM 3- 02 X-XXS-U56

1 2 3 4 5 6 7

- 1.Series : VM
- 2.Current Rating : 3=3A 125/250VAC
- 3.Actuator : 00=Non-lever 01=Lever
- 4.Termination : see chart (N/K)  
(2=SPST-NO / 16=SPST-NC)
- 5.Operating Force : see chart
- 6.Spring Material:S=SUS304
- 7.Contact type: U56=3Amps Contact



### CIRCUIT DIAGRAM

### 1.Functional spec

1.1 Rated Voltage(AC)	125/250VAC
1.2 Rated Current(AC)	3A
1.3 Contact Resistance	≤100mΩ(Initial value)
1.4 Operating Force	40±15gf   70±25gf   110±30gf
1.5 Bounce Time	
1.6 Free Position	20.8±0.8mm
1.7 Operating Position	18.3±0.8mm
1.8 Position Travel	
1.9 Return Force	

### 2.Reliable Rating

2.1 Mechanical Life	1,000,000 CYCLES
2.2 Electrical Life	10,000 CYCLES
2.3 Insulation Resistance	≥100MΩ DC500V
2.4 Withstand Voltage	AC1500V 1 minute
2.5 Soldering Technic	Hand Soldering
2.6 Operating Temper	-25°C ~ +85°C
2.7 Ambient Humidity Used	<85%RH

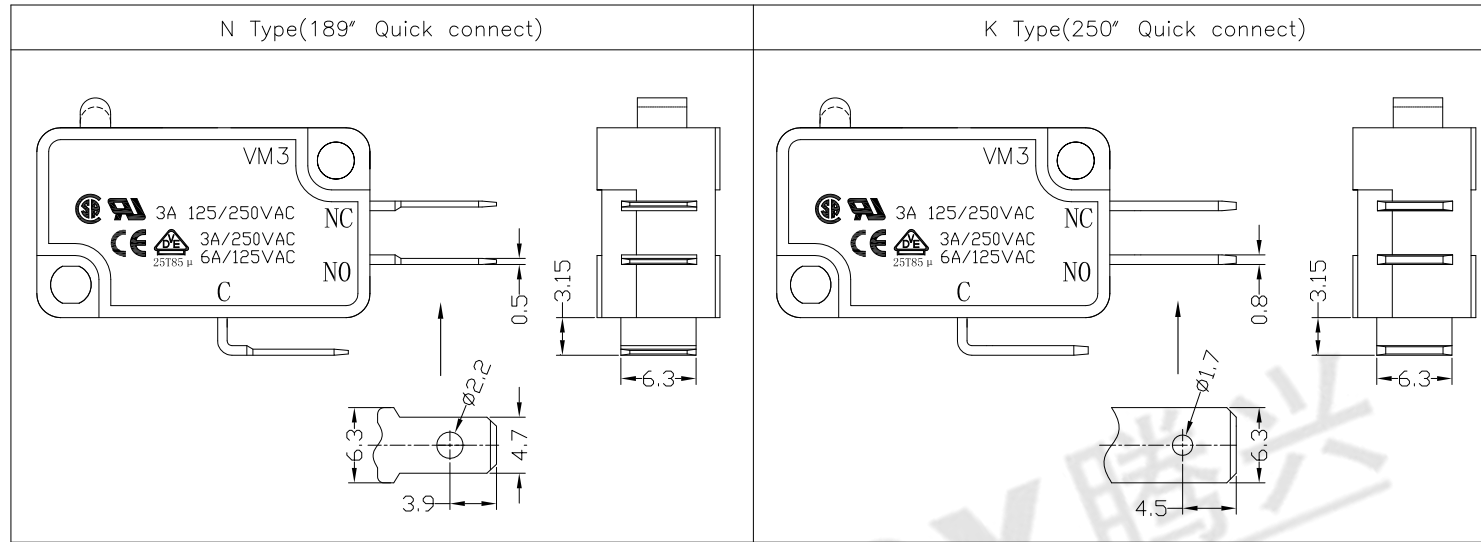
Tolerance:±0.2		UNITS	东莞市腾兴电子有限公司			
		mm				
		MAT'L	SEE NOTE		TITLE: MICRO SWITCH VM3 SERIES	
		FINISH	SEE NOTE		PART NO.: VM3-02N-XXS-U56	
		Q'TY	DR: Ricky 2017/5/10		DWG NO.: ATD-02X-XXS-U56	
<small>THESE DRAWINGS AND SPECIFICATIONS ARE THE PROPERTY OF ACCURATE INNOTECH INC AND SHALL NOT BE REPRODUCED, COPIED OR USED IN ANY MANNER WITHOUT THE PRIOR WRITTEN CONSENT OF ACCURATE INNOTECH INC.</small>			CHKD: Ricky 2017/5/10		SCALE	SHEET
			APPD:		1:1	1/2
			REV.	CUSTOMER DRAWING		
			A			



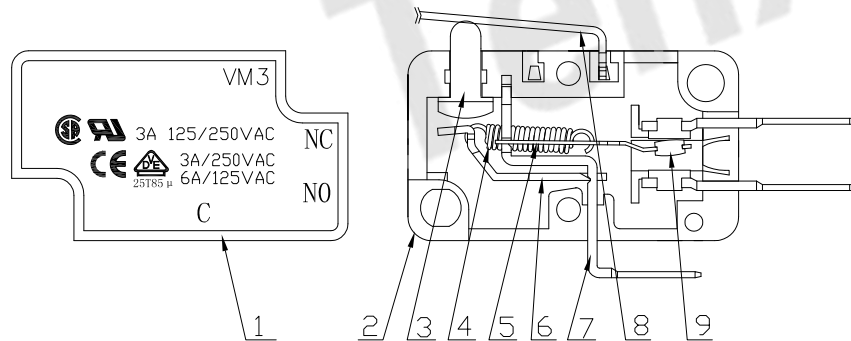
RoHS  
Compliant  
2002/95/EC

REV.	ECN.	NO.	APPD.

### Terminal Type



### Structure chart



### Material list

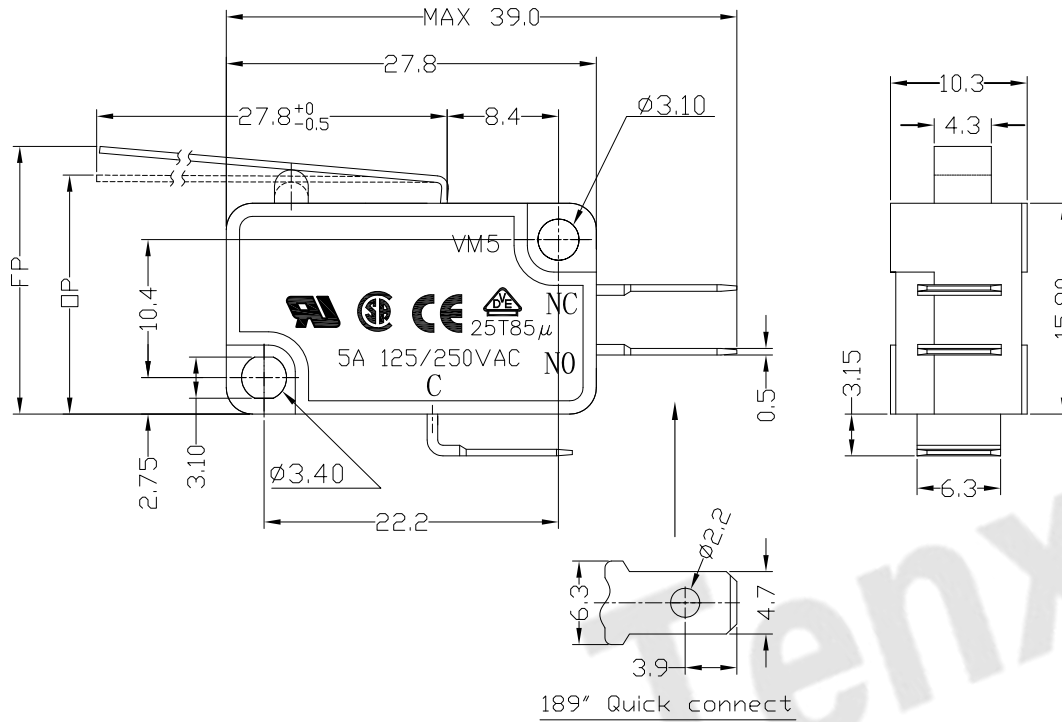
NO.	PARTS	MATERIAL	Q'TY	FINISHING	Tolerance:±0.2	UNITS	东莞市腾兴电子有限公司					
9	Contact	Silver alloy	3		mm	SEE NOTE	TITLE: MICRO SWITCH VM3 SERIES		PART NO.: VM3-02X-XXS-U56			
8	Lever	SUS301	1				SEE NOTE	DR: Ricky 2017/5/10		DWG NO.: ATD-02X-XXS-U56		
7	Terminal	C2680	3		SEE NOTE	Q'TY		CHKD: Ricky 2017/5/10		SCALE: 1:1	SHEET: 2/2	REV.: A
6	Fixed Rod	C2680	1				APPD:					
5	Change Plate	C5210	1		THESE DRAWINGS AND SPECIFICATIONS ARE THE PROPERTY OF ACCURATE INNO TECH INC AND SHALL NOT BE REPRODUCED, COPIED OR USED IN ANY MANNER WITHOUT THE PRIOR WRITTEN CONSENT OF ACCURATE INNO TECH INC.							
4	Spring	SUS304	1									
3	Button	PBT	1	Gray								
2	Lower Housing	PBT	1	Black								
1	Upper Housing	PBT	1	Black								



RoHS  
Compliant  
2002/95/EC

REV.	ECN.	NO.	APPD.

### DIMENSIONS

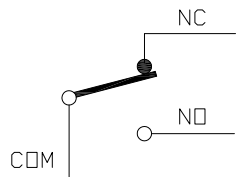


### MODEL CODE

VM 5- 02 X-XXS-U10

1 2 3 4 5 6 7

- Series : VM
- Current Rating : 5=5A 125/250VAC
- Actuator : 00=Non-lever 01=99=Lever
- Termination : see chart (N/K)  
(2=SPST-NO / 16=SPST-NC)
- Operating Force : see chart
- Spring Material:S=SUS304
- Contact type: U10=5Amps Contact



### CIRCUIT DIAGRAM

### 1.Functional spec

1.1 Rated Voltage(AC)	125/250VAC
1.2 Rated Current(AC)	5A
1.3 Contact Resistance	≤100mΩ(Initial value)
1.4 Operating Force	40±15gf   70±25gf   110±30gf
1.5 Bounce Time	
1.6 Free Position	20.8±0.8mm
1.7 Operating Position	18.3±0.8mm
1.8 Position Travel	
1.9 Return Force	

### 2.Reliable Rating

2.1 Mechanical Life	1,000,000 CYCLES
2.2 Electrical Life	10,000 CYCLES
2.3 Insulation Resistance	≥100MΩ DC500V
2.4 Withstand Voltage	AC1500V 1 minute
2.5 Soldering Technic	Hand Soldering
2.6 Operating Temper	-25°C ~ +85°C
2.7 Ambient Humidity Used	<85%RH

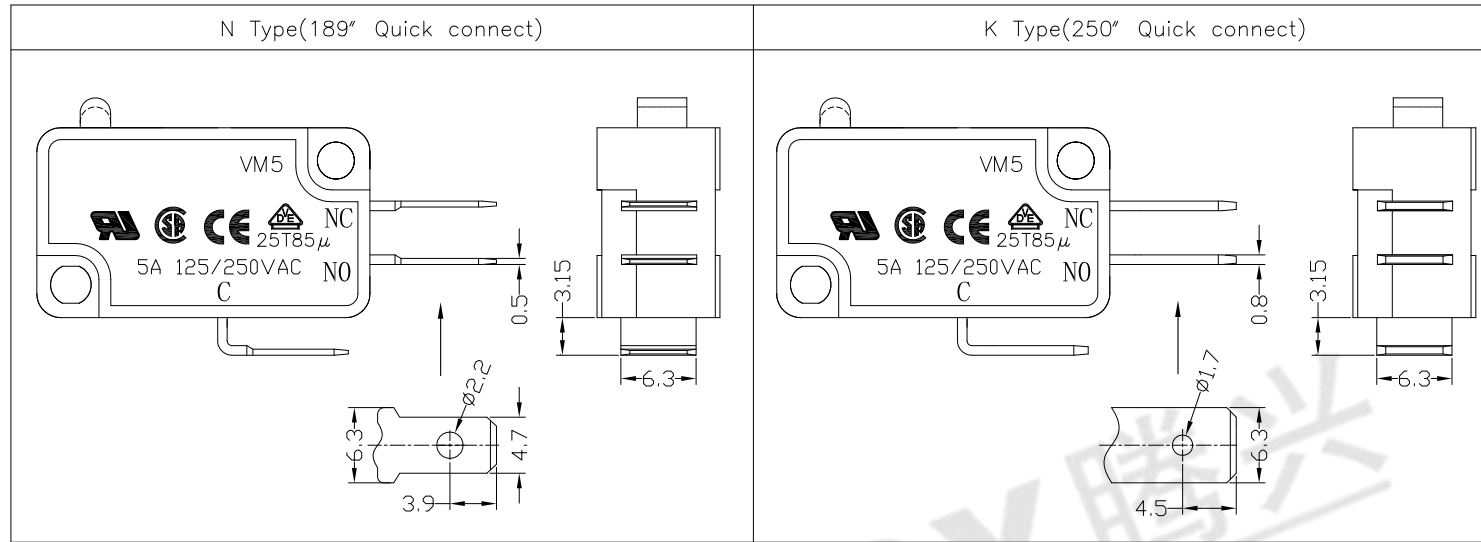
Tolerance:±0.2	UNITS mm	东莞市腾兴电子有限公司				
	MAT'L					
	SEE NOTE	TITLE:	PART NO.:			
	FINISH	MICRO SWITCH VM5 SERIES	VM5-02N-XXS-U10			
	SEE NOTE	DR: Ricky 2017/5/11	DWG NO.:			
	Q'TY	CHKD: Ricky 2017/5/11	ATD-02X-XXS-U10			
THESE DRAWINGS AND SPECIFICATIONS ARE THE PROPERTY OF ACCURATE INNOTECH INC AND SHALL NOT BE REPRODUCED, COPIED OR USED IN ANY MANNER WITHOUT THE PRIOR WRITTEN CONSENT OF ACCURATE INNOTECH INC.		APPD:	SCALE	SHEET	REV.	CUSTOMER DRAWING
			1:1	1/2	A	



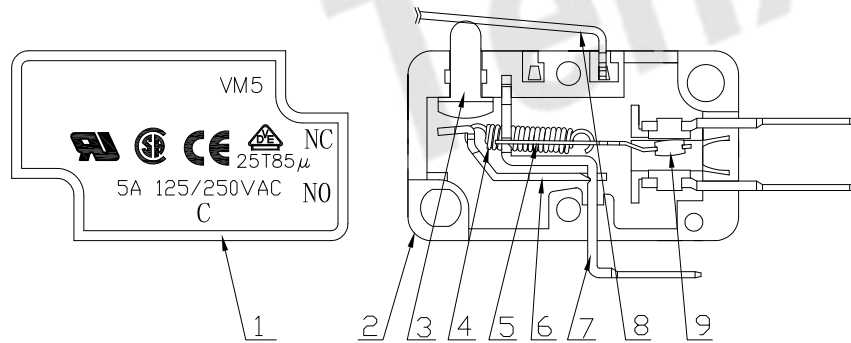
RoHS  
Compliant  
2002/95/EC

REV.	ECN.	NO.	APPD.

### Terminal Type



### Structure chart



### Material list

NO.	PARTS	MATERIAL	Q'TY	FINISHING															
9	Contact	Silver alloy	3																
8	Lever	SUS301	1																
7	Terminal	C2680	3																
6	Fixed Rod	C2680	1																
5	Change Plate	C5210	1																
4	Spring	SUS304	1																
3	Button	PBT	1	Gray															
2	Lower Housing	PBT	1	Black															
1	Upper Housing	PBT	1	Black															

THESE DRAWINGS AND SPECIFICATIONS ARE THE PROPERTY OF ACCURATE INNOTECH INC AND SHALL NOT BE REPRODUCED, COPIED OR USED IN ANY MANNER WITHOUT THE PRIOR WRITTEN CONSENT OF ACCURATE INNOTECH INC.

UNITS	mm	东莞市腾兴电子有限公司				
MAT'L	SEE NOTE					
FINISH	SEE NOTE	TITLE:	PART NO.:			
Q'TY		MICRO SWITCH VM5 SERIES	VM5-02X-XXS-U10			
		DR: Ricky 2017/5/11	DWG NO.:			
		CHKD: Ricky 2017/5/11	ATD-02X-XXS-U10			
		APPD:	SCALE	SHEET	REV.	CUSTOMER
			1:1	2/2	A	DRAWING