

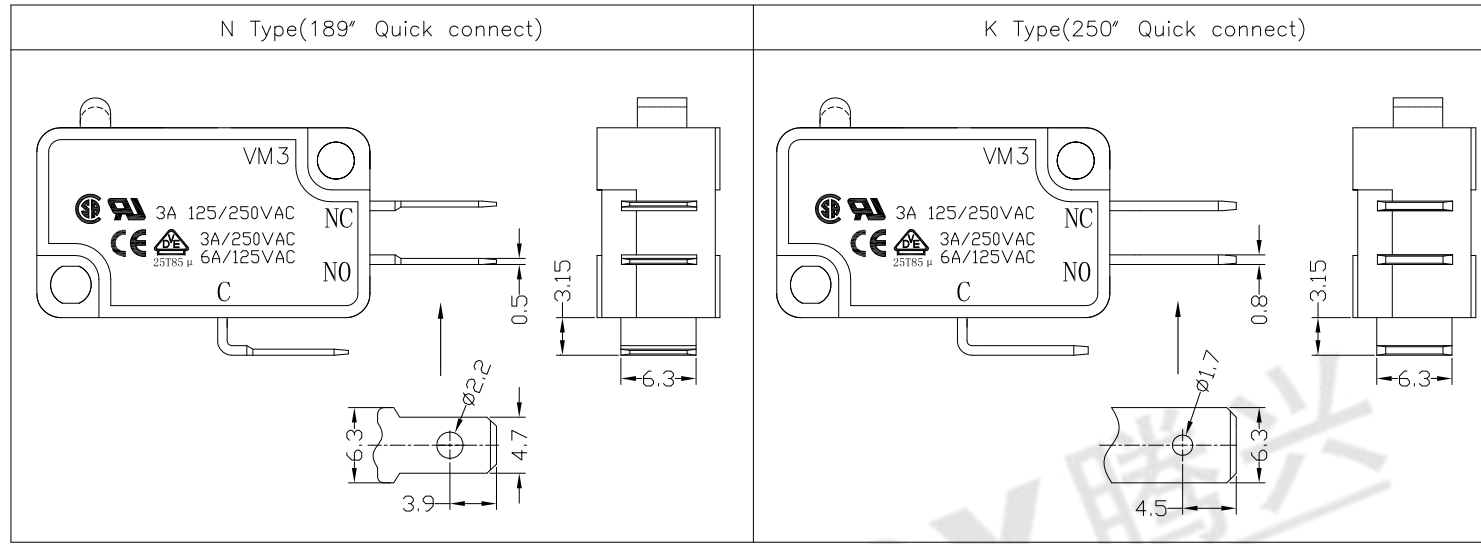




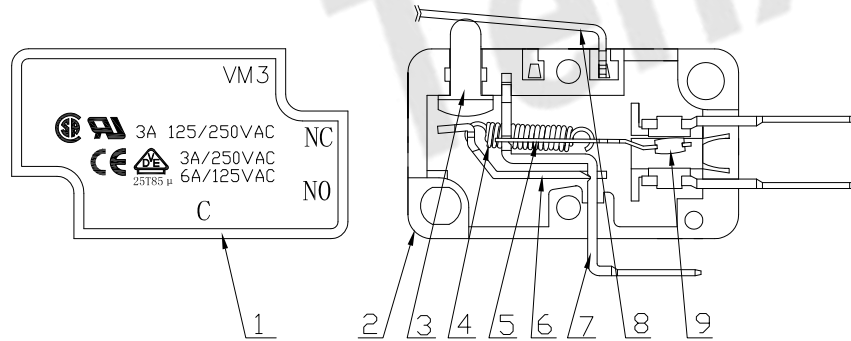
RoHS  
Compliant  
2002/95/EC

REV.	ECN.	NO.	APPD.

### Terminal Type



### Structure chart



### Material list

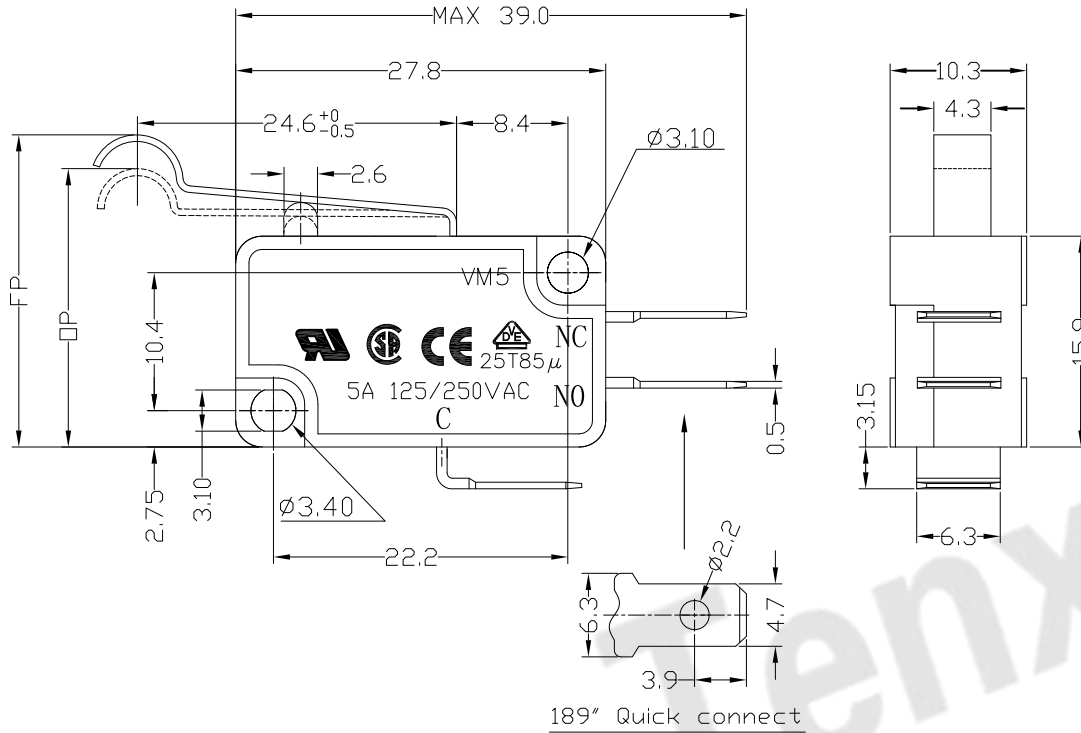
NO.	PARTS	MATERIAL	Q'TY	FINISHING	Tolerance: ±0.2	UNITS	东莞市腾兴电子有限公司				
9	Contact	Silver alloy	3		mm	SEE NOTE	TITLE:	PART NO.:			
8	Lever	SUS301	1				DR: <i>Ricky</i> 2017/5/10	VM3-04X-XXS-U56			
7	Terminal	C2680	3		SEE NOTE	FINISH	MICRO SWITCH VM3 SERIES	DWG NO.:			
6	Fixed Rod	C2680	1			DR: <i>Ricky</i> 2017/5/10	ATD-04X-XXS-U56				
5	Change Plate	C5210	1		Q'TY	SEE NOTE	CHKD: <i>Ricky</i> 2017/5/10	SCALE	SHEET	REV.	CUSTOMER
4	Spring	SUS304	1				APPD:	1:1	2/2	A	DRAWING
3	Button	PBT	1	Gray	SEE NOTE	SEE NOTE					
2	Lower Housing	PBT	1	Black							
1	Upper Housing	PBT	1	Black							
					<small>THESE DRAWINGS AND SPECIFICATIONS ARE THE PROPERTY OF ACCURATE INNO TECH INC AND SHALL NOT BE REPRODUCED, COPIED OR USED IN ANY MANNER WITHOUT THE PRIOR WRITTEN CONSENT OF ACCURATE INNO TECH INC.</small>						



RoHS  
Compliant  
2002/95/EC

REV.	ECN. NO.	APPD.

### DIMENSIONS



### 1.Functional spec

1.1 Rated Voltage(AC)	125/250VAC
1.2 Rated Current(AC)	5A
1.3 Contact Resistance	≤100mΩ(Initial value)
1.4 Operating Force	45±15gf   80±25gf   125±40gf
1.5 Bounce Time	
1.6 Free Position	23.6±1.5mm
1.7 Operating Position	21.8±1.5mm
1.8 Position Travel	
1.9 Return Force	

### 2.Reliable Rating

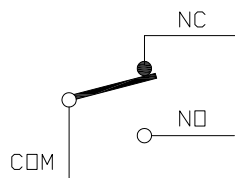
2.1 Mechanical Life	1,000,000 CYCLES
2.2 Electrical Life	10,000 CYCLES
2.3 Insulation Resistance	≥100MΩ DC500V
2.4 Withstand Voltage	AC1500V 1 minute
2.5 Soldering Technic	Hand Soldering
2.6 Operating Temper	-25°C ~ +85°C
2.7 Ambient Humidity Used	<85%RH

### MODEL CODE

VM 5- 04 X-XXS-U10

1 2 3 4 5 6 7

- 1.Series : VM
- 2.Current Rating : 5=5A 125/250VAC
- 3.Actuator : 00=Non-lever 01-99=Lever
- 4.Termination : see chart (N/K)  
(2=SPST-NO / 16=SPST-NC)
- 5.Operating Force : see chart
- 6.Spring Material:S=SUS304
- 7.Contact type: U10=5Amps Contact



### CIRCUIT DIAGRAM

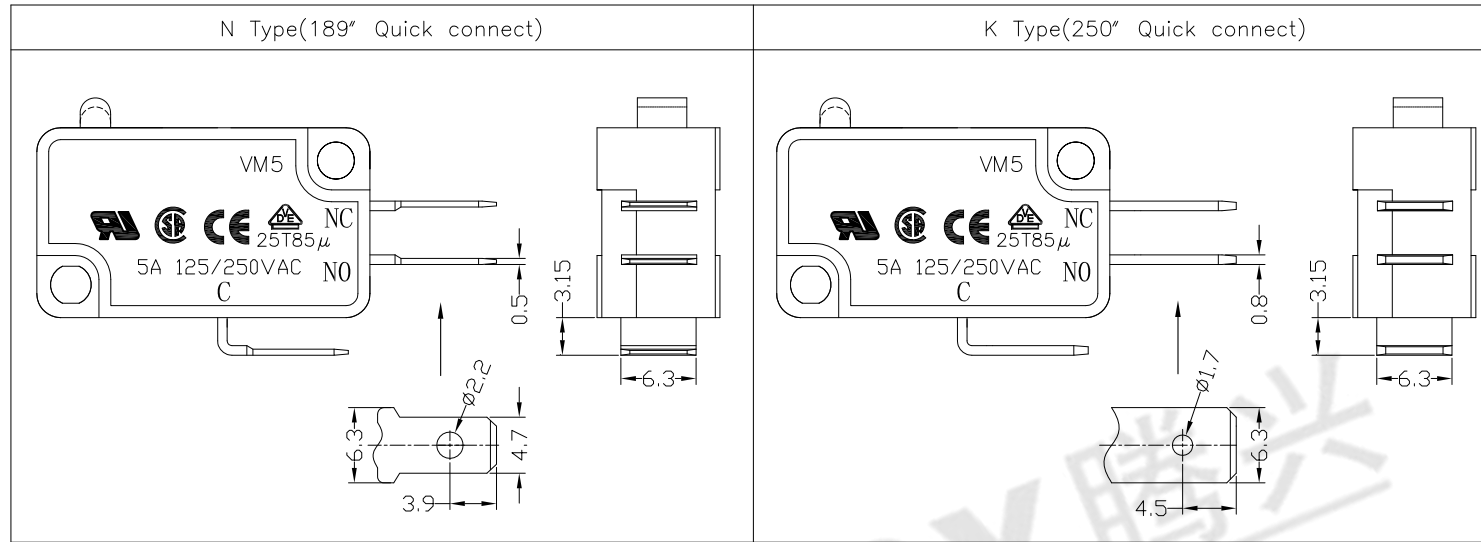
Tolerance:±0.2		UNITS	东莞市腾兴电子有限公司			
		mm				
		MAT'L	SEE NOTE		TITLE: MICRO SWITCH VM5 SERIES	
		FINISH	SEE NOTE		PART NO.: VM5-04N-XXS-U10	
		Q'TY	DR: Ricky 2017/5/11		DWG NO.: ATD-04X-XXS-U10	
<small>THESE DRAWINGS AND SPECIFICATIONS ARE THE PROPERTY OF ACCURATE INNOTECH INC AND SHALL NOT BE REPRODUCED, COPIED OR USED IN ANY MANNER WITHOUT THE PRIOR WRITTEN CONSENT OF ACCURATE INNOTECH INC.</small>			CHKD: Ricky 2017/5/11		SCALE	SHEET
			APPD:		1:1	1/2
			APPD:		REV. A	CUSTOMER DRAWING



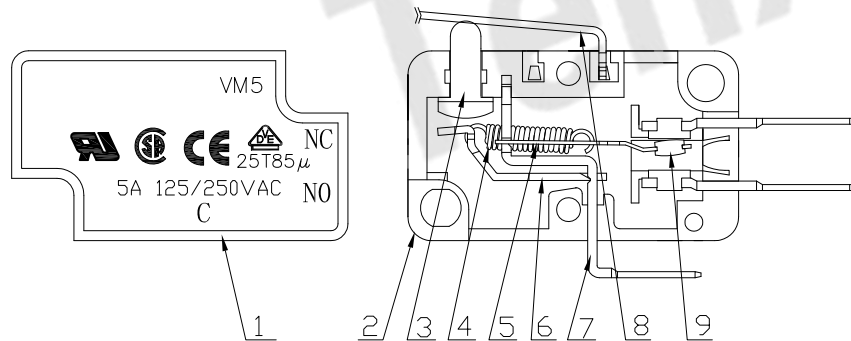
RoHS  
Compliant  
2002/95/EC

REV.	ECN.	NO.	APPD.

### Terminal Type



### Structure chart



### Material list

NO.	PARTS	MATERIAL	Q'TY	FINISHING	Tolerance:±0.2	UNITS	东莞市腾兴电子有限公司			
9	Contact	Silver alloy	3		mm	SEE NOTE	TITLE:		PART NO.:	
8	Lever	SUS301	1				MICRO SWITCH VM5 SERIES		VM5-04X-XXS-U10	
7	Terminal	C2680	3		SEE NOTE	DR:		DWG NO.:		
6	Fixed Rod	C2680	1			Ricky 2017/5/11		ATD-04X-XXS-U10		
5	Change Plate	C5210	1		Q'TY	CHKD:		SCALE		
4	Spring	SUS304	1			Ricky 2017/5/11		1:1	2/2	REV.
3	Button	PBT	1	Gray	APPD:	CUSTOMER		DRAWING		
2	Lower Housing	PBT	1	Black		DRAWING		DRAWING		
1	Upper Housing	PBT	1	Black	DRAWING		DRAWING			
NO.	PARTS	MATERIAL	Q'TY	FINISHING	DRAWING		DRAWING		DRAWING	

THESE DRAWINGS AND SPECIFICATIONS ARE THE PROPERTY OF ACCURATE INNO TECH INC AND SHALL NOT BE REPRODUCED, COPIED OR USED IN ANY MANNER WITHOUT THE PRIOR WRITTEN CONSENT OF ACCURATE INNO TECH INC.