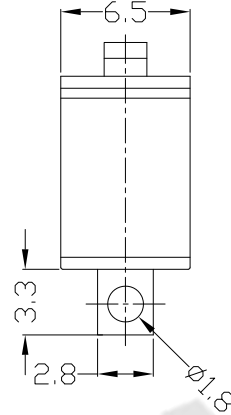
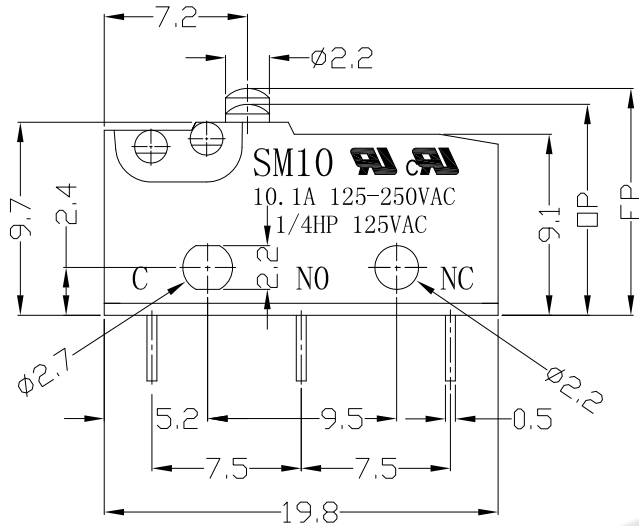




RoHS  
Compliant  
2002/95/EC

REV.	ECN.	NO.	APPD.

### DIMENSIONS

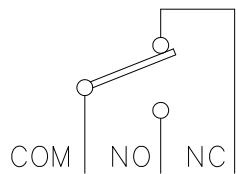


### MODEL CODE

SW 10-00X-XX

1 2 3 4 5

- Series : SW
- Current Rating : 10=10A 125/250VAC
- Actuator : 00=Non-lever 01-99=Lever
- Termination : see chart (N/P/A)  
(7=SPST-NO / 3=SPST-NC)
- Operating Force : see chart



### CIRCUIT DIAGRAM

### 1.Functional spec

1.1 Rated Voltage(AC)	125/250VAC
1.2 Rated Current(AC)	10.1A
1.3 Contact Resistance	≤100mΩ(Initial value)
1.4 Operating Force	175±45gf   250±50gf
1.5 Bounce Time	
1.6 Free Position	11.4±0.5mm
1.7 Operating Position	10.8±0.5mm
1.8 Position Travel	
1.9 Return Force	

### 2.Reliable Rating

2.1 Mechanical Life	1,000,000 CYCLES
2.2 Electrical Life	6,000 CYCLES
2.3 Insulation Resistance	≥100MΩ DC500V
2.4 Withstand Voltage	AC1000V 1 minute
2.5 Soldering Technic	Hand Soldering
2.6 Operating Temper	-25°C ~ +75°C
2.7 Ambient Humidity Used	<85%RH

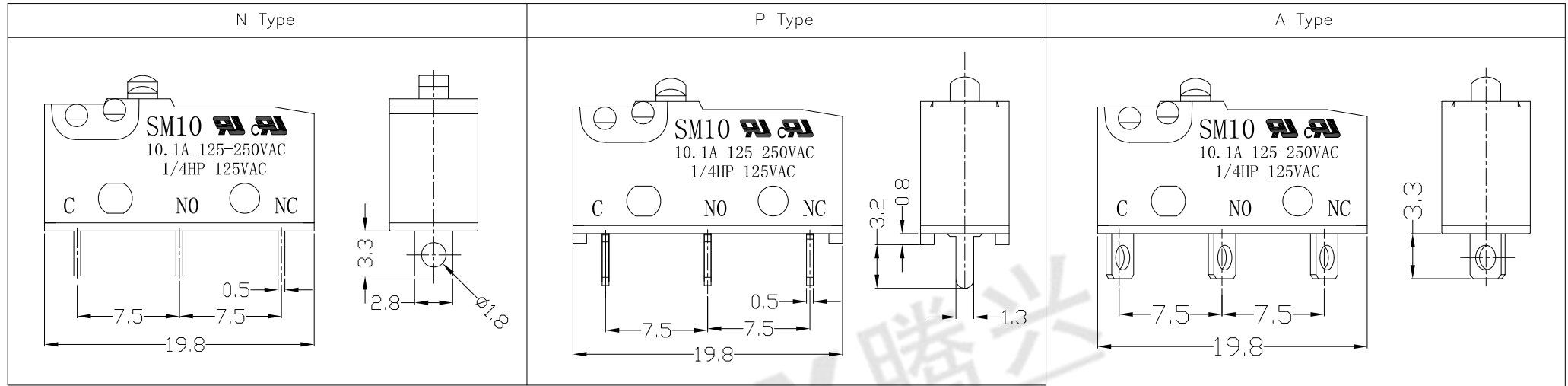
Tolerance:±0.2	UNITS mm	东莞市腾兴电子有限公司				
	MAT'L					
	SEE NOTE	TITLE:	PART NO.:			
	FINISH	MICRO SWITCH SM10 SERIES	SM10-00N-XX			
	SEE NOTE	DR: Ricky 2017/4/7	DWG NO.:			
	Q'TY	CHKD: Ricky 2017/4/7	ATD-00X-XX			
THESE DRAWINGS AND SPECIFICATIONS ARE THE PROPERTY OF ACCURATE INNOTECH INC AND SHALL NOT BE REPRODUCED, COPIED OR USED IN ANY MANNER WITHOUT THE PRIOR WRITTEN CONSENT OF ACCURATE INNOTECH INC.		APPD:	SCALE	SHEET	REV.	CUSTOMER DRAWING
			1:1	1/2	A	



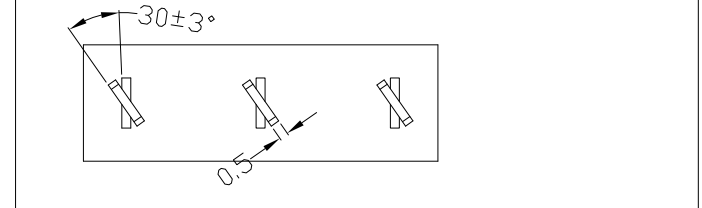
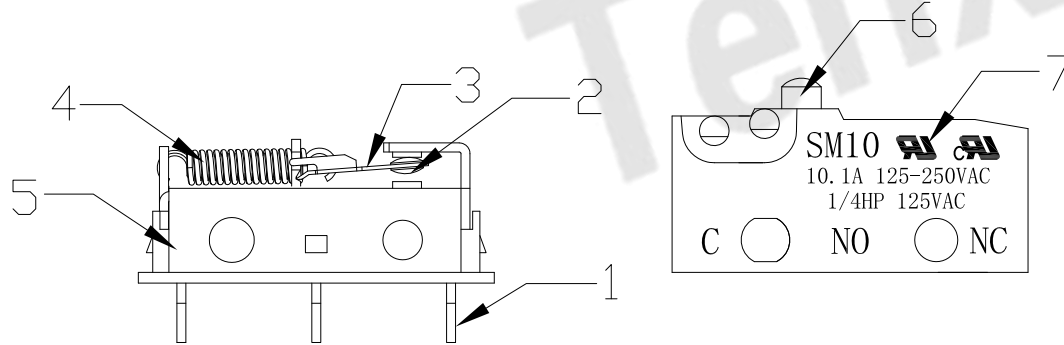
RoHS  
Compliant  
2002/95/EC

REV.	ECN. NO.	NO.	APPD.

### Terminal Type



### Structure chart



### Material list

NO.	PARTS	MATERIAL	Q'TY	FINISHING	UNITS	mm	东莞市腾兴电子有限公司			
8					Tolerance: ±0.2		东莞市腾兴电子有限公司 TITLE: MICRO SWITCH SM10 SERIES PART NO.: SM10-00X-XX DR: Ricky 2017/4/7 DWG NO.: ATD-00X-XX CHKD: Ricky 2017/4/7 SCALE: 1:1 SHEET: 2/2 REV.: A CUSTOMER DRAWING			
7	Upper Housing	PBT	1	Black		MAT'L				
6	Button	PBT	1	Black		SEE NOTE				
5	Lower Housing	PBT	1	Black		FINISH	THESE DRAWINGS AND SPECIFICATIONS ARE THE PROPERTY OF ACCURATE INNOTECH INC AND SHALL NOT BE REPRODUCED, COPIED OR USED IN ANY MANNER WITHOUT THE PRIOR WRITTEN CONSENT OF ACCURATE INNOTECH INC.			
4	Spring	SUS304	1			SEE NOTE				
3	Change Plate	C5210	1			Q'TY	APPD:			
2	Contact	Silver alloy	3			SEE NOTE				
1	Terminal	C2680	3				11 2/2 A			