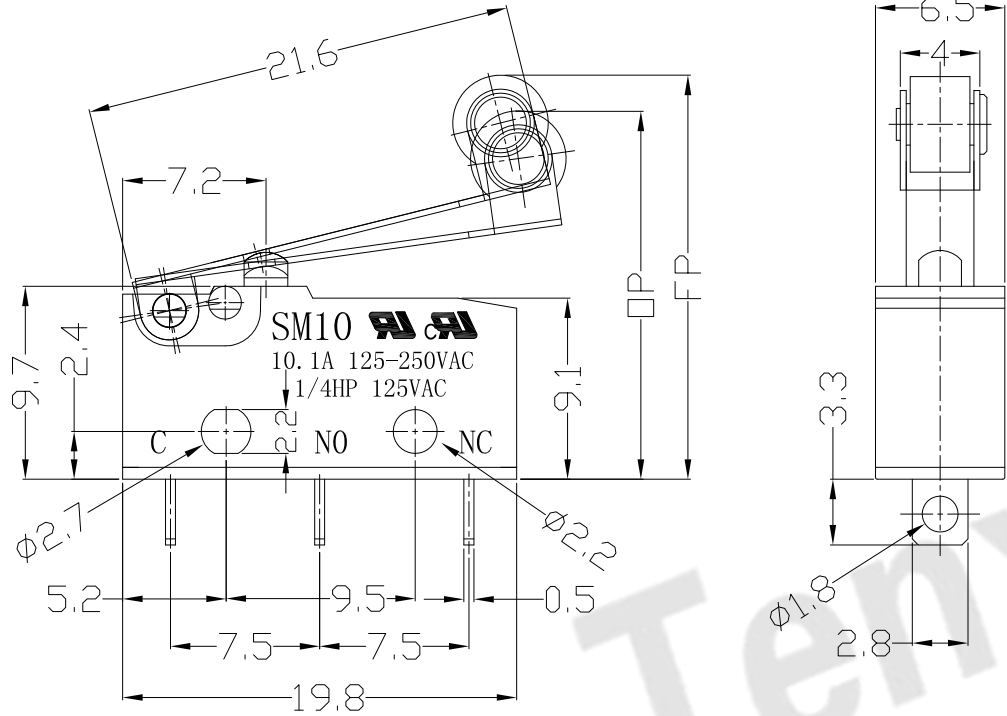




RoHS
Compliant
2002/95/EC

REV.	ECN.	NO.	APPD.

DIMENSIONS



1.Functional spec

1.1 Rated Voltage(AC)	125/250VAC	
1.2 Rated Current(AC)	10.1A	
1.3 Contact Resistance	≤100mΩ(Initial value)	
1.4 Operating Force	55±25gf	75±25gf
1.5 Bounce Time		
1.6 Free Position	20.5±1.5mm	
1.7 Operating Position	18.6±1.5mm	
1.8 Position Travel		
1.9 Return Force		

2.Reliable Rating

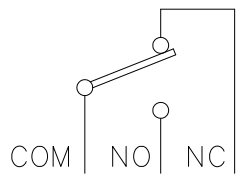
2.1 Mechanical Life	1,000,000 CYCLES
2.2 Electrical Life	6,000 CYCLES
2.3 Insulation Resistance	≥100MΩ DC500V(Initial value)
2.4 Withstand Voltage	AC1000V 1 minute(Initial value)
2.5 Soldering Technic	Hand Soldering
2.6 Operating Temper	-25°C ~ +85°C
2.7 Ambient Humidity Used	<85%RH

MODEL CODE

SW 10 - 03 X - XX

1 2 3 4 5

- 1.Series : SW
- 2.Current Rating : 10=10A 125/250VAC
- 3.Actuator : 00=Non-lever 01-99=Lever
- 4.Termination : see chart (N/P/A)
(7=SPST-NO / 3=SPST-NC)
- 5.Operating Force : see chart



CIRCUIT DIAGRAM

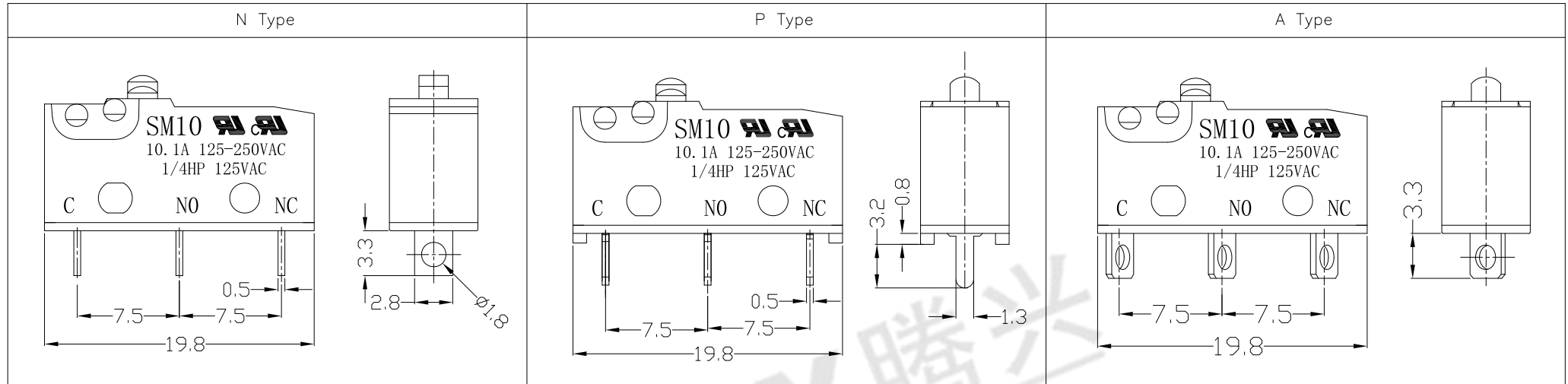
Tolerance:±0.2	UNITS mm	东莞市腾兴电子有限公司				
	MAT'L SEE NOTE					
	FINISH SEE NOTE	TITLE: MICRO SWITCH SM10 SERIES	PART NO.: SM10-03N-XX			
	Q'TY	DR: <i>Ricky</i> 2017/4/7	DWG NO.: ATD-03X-XX			
THESE DRAWINGS AND SPECIFICATIONS ARE THE PROPERTY OF ACCURATE INNOTECH INC AND SHALL NOT BE REPRODUCED, COPIED OR USED IN ANY MANNER WITHOUT THE PRIOR WRITTEN CONSENT OF ACCURATE INNOTECH INC.		CHKD: <i>Ricky</i> 2017/4/7	SCALE	SHEET	REV.	CUSTOMER DRAWING
		APPD:	1:1	1/2	A	



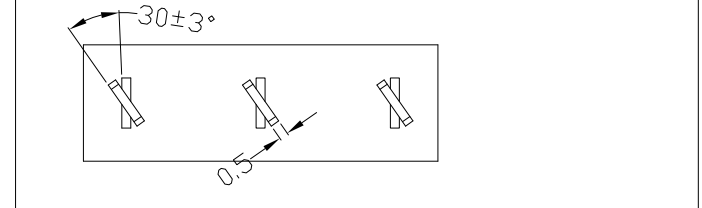
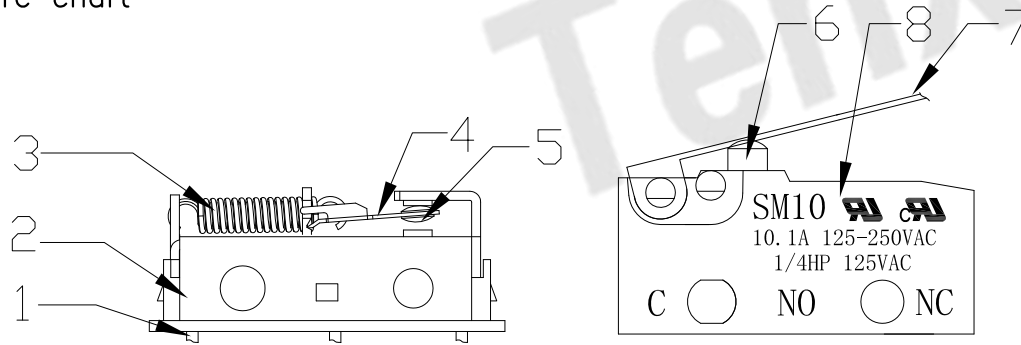
RoHS
Compliant
2002/95/EC

REV.	ECN. NO.	NO.	APPD.

Terminal Type



Structure chart



Material list

8	Upper Housing	PBT	1	Black	Tolerance:±0.2	UNITS	mm	东莞市腾兴电子有限公司						
7	Lever	SUS301	1			MAT'L						SEE NOTE		
6	Button	PBT	1	Black		FINISH	SEE NOTE	TITLE:	PART NO.:					
5	Contact	Silver alloy	3			Q'TY	SEE NOTE	MICRO SWITCH SM10 SERIES	SM10-03X-XX					
4	Change Plate	C5210	1					DR:	Ricky 2017/4/7		DWG NO.:	ATD-03X-XX		
3	Spring	SUS304	1					CHKD:	Ricky 2017/4/7		SCALE	SHEET	REV.	CUSTOMER
2	Lower Housing	PBT	1	Black				APPD:			1:1	2/2	A	DRAWING
1	Terminal	C2680	3											
NO.	PARTS	MATERIAL	Q'TY	FINISHING										

THESE DRAWINGS AND SPECIFICATIONS ARE THE PROPERTY OF ACCURATE INNOTECH INC AND SHALL NOT BE REPRODUCED, COPIED OR USED IN ANY MANNER WITHOUT THE PRIOR WRITTEN CONSENT OF ACCURATE INNOTECH INC.