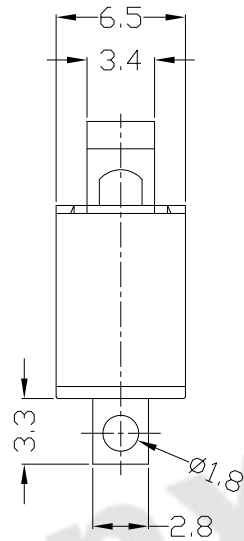
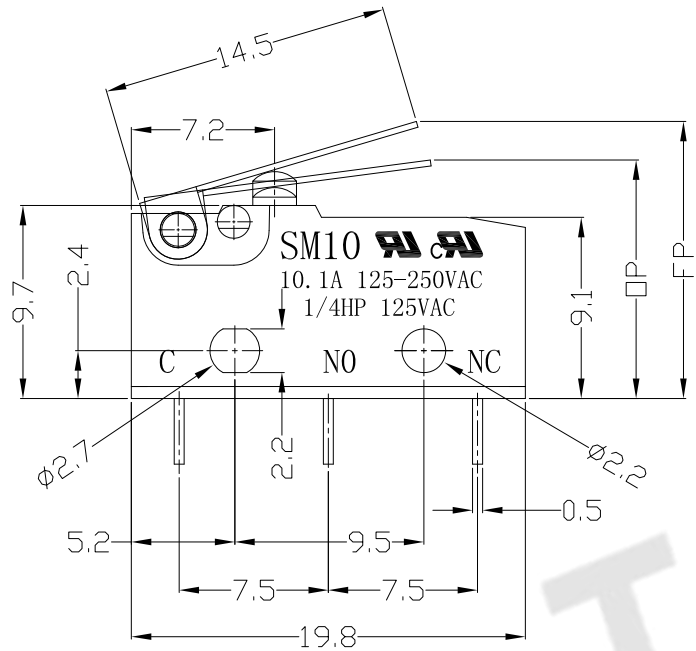




RoHS
Compliant
2002/95/EC

REV.	ECN. NO.	APPD.

DIMENSIONS



1.Functional spec

1.1 Rated Voltage(AC)	125/250VAC	
1.2 Rated Current(AC)	10.1A	
1.3 Contact Resistance	≤100mΩ(Initial value)	
1.4 Operating Force	90±30gf	120±40gf
1.5 Bounce Time		
1.6 Free Position	14.6±1.2mm	
1.7 Operating Position	13.0±1.2mm	
1.8 Position Travel		
1.9 Return Force		

2.Reliable Rating

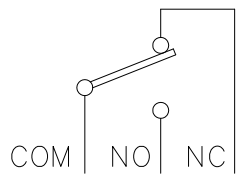
2.1 Mechanical Life	1,000,000 CYCLES
2.2 Electrical Life	6,000 CYCLES
2.3 Insulation Resistance	≥100MΩ DC500V(Initial value)
2.4 Withstand Voltage	AC1000V 1 minute(Initial value)
2.5 Soldering Technic	Hand Soldering
2.6 Operating Temper	-25°C ~ +85°C
2.7 Ambient Humidity Used	<85%RH

MODEL CODE

SW 10-05X-XX

1 2 3 4 5

- 1.Series : SW
- 2.Current Rating : 10=10A 125/250VAC
- 3.Actuator : 00=Non-lever 01-99=Lever
- 4.Termination : see chart (N/P/A)
(7=SPST-NO / 3=SPST-NC)
- 5.Operating Force : see chart



CIRCUIT DIAGRAM

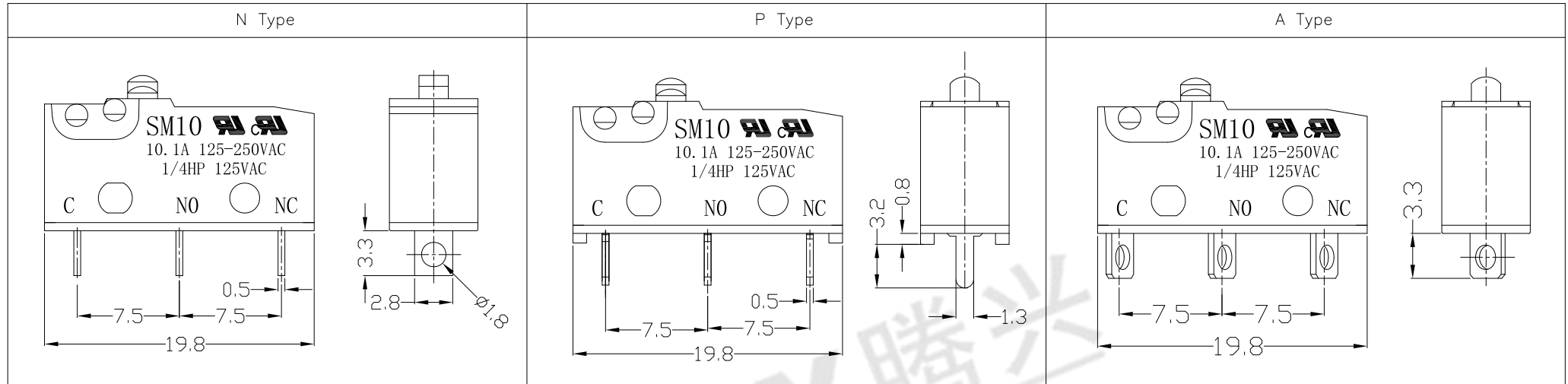
Tolerance: ±0.2	UNITS mm	东莞市腾兴电子有限公司			
	MAT'L SEE NOTE				
	FINISH SEE NOTE	TITLE: MICRO SWITCH SM10 SERIES	PART NO.: SM10-05N-XX		
	Q'TY	DR: <i>Ricky</i> 2017/4/7	DWG NO.: ATD-05X-XX		
THESE DRAWINGS AND SPECIFICATIONS ARE THE PROPERTY OF ACCURATE INNOTECH INC AND SHALL NOT BE REPRODUCED, COPIED OR USED IN ANY MANNER WITHOUT THE PRIOR WRITTEN CONSENT OF ACCURATE INNOTECH INC.		CHKD: <i>Ricky</i> 2017/4/7	APPD:	SCALE 1:1	SHEET 1/2
				REV. A	CUSTOMER DRAWING



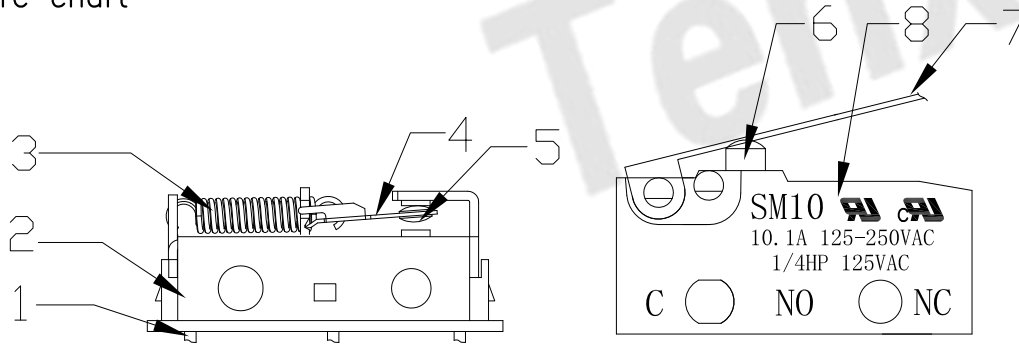
RoHS
Compliant
2002/95/EC

REV.	ECN. NO.	APPD.

Terminal Type



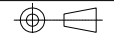
Structure chart



Material list

NO.	PARTS	MATERIAL	Q'TY	FINISHING													
8	Upper Housing	PBT	1	Black	Tolerance:±0.2	UNITS mm	MAT'L	东莞市腾兴电子有限公司 TITLE: MICRO SWITCH SM10 SERIES PART NO.: SM10-05X-XX DR: <i>Ricky</i> 2017/4/7 DWG NO.: ATD-05X-XX CHKD: <i>Ricky</i> 2017/4/7 APPD:									
7	Lever	SUS301	1														
6	Button	PBT	1	Black			SEE NOTE										
5	Contact	Silver alloy	3														
4	Change Plate	C5210	1														
3	Spring	SUS304	1														
2	Lower Housing	PBT	1	Black													
1	Terminal	C2680	3														

THESE DRAWINGS AND SPECIFICATIONS ARE THE PROPERTY OF ACCURATE INNOTECH INC AND SHALL NOT BE REPRODUCED, COPIED OR USED IN ANY MANNER WITHOUT THE PRIOR WRITTEN CONSENT OF ACCURATE INNOTECH INC.



SCALE	SHEET	REV.	CUSTOMER
1:1	2/2	A	DRAWING