

IP 67
ACCORDING TO
EN 60529:1991+A1:2001
IEC 60529:2001

UL US
E 187490

RoHS
compliant

Pb
lead-free

SPECIFICATIONS

CONTACT RATING: Dependent upon contact material See Page 64.

MECHANICAL LIFE: 30,000 make-and-break cycles.

CONTACT RESISTANCE: 10 mΩ max. initial @ 2-4VDC
100mA for both silver and gold plated contacts.

INSULATION RESISTANCE: 1,000 MΩ min.

DIELECTRIC STRENGTH: 1,000 Vrms min. @ sea level.

OPERATING TEMPERATURE: -30°C to 85°C.

MATERIALS

CASE & BUSHING : Glass filled nylon 6/6, flame retardant, heat stabilized (UL94V-0).

ACTUATOR: Nylon, black std. Internal O-ring seal standard with all actuators.

SWITCH SUPPORT: Brass or steel, tin plated.

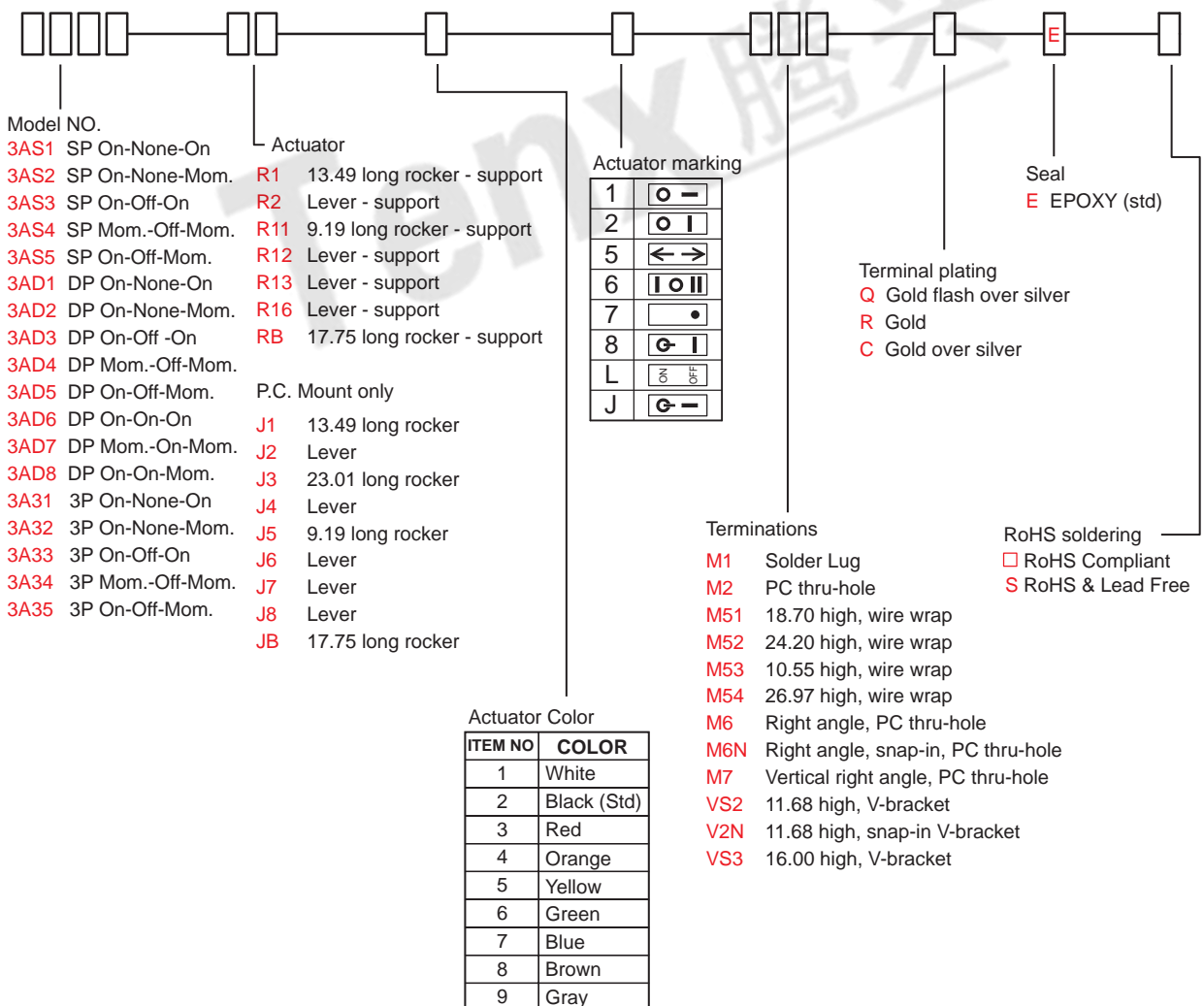
ACTUATOR PIVOT & MOUNTING BRACKET: Nylon.

ACTUATOR PIVOT RETAINER: Stainless steel.

TERMINAL/CONTACT: Silver or gold plated copper alloy.
(See Page 64)

HOW TO ORDER

MODEL NO. ACTUATOR ACTUATOR COLOR ACTUATOR MARKING TERMINATIONS TERMINAL PLATING SEAL RoHS SOLDERING



* Besides standard color, other colors need to check stocks available.



3A
Rocker Switches

3A Series

Swaled Miniature Rocker & Paddle Switches

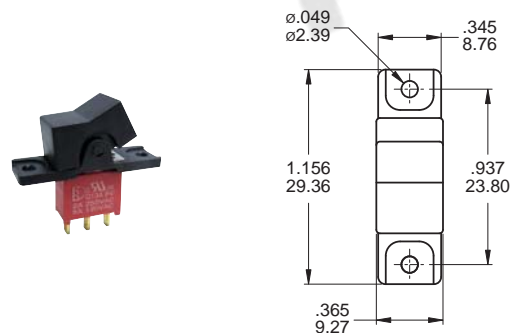
SWITCH FUNCTION

| NO. POLES | UL/CSA MODEL NO. | MODEL NO. | SWITCH FUNCTION | | | CONNECTED TERMINALS / SCHEMATIC | | | |
|-----------|------------------|-----------|-----------------|-------|-------|---------------------------------|---------|-------------|---------|
| | | | POS.1 | POS.2 | POS.3 | POS.1 | POS.2 | POS.3 | |
| | | | | | | | | | |
| SP | Q13A11 | 3AS1 | ON | NONE | ON | 2-3 | N/A | 2-1 | |
| | Q13A12 | 3AS2 | ON | NONE | MOM | | | | |
| | Q13A13 | 3AS3 | ON | OFF | ON | | OPEN | | |
| | Q13A14 | 3AS4 | MOM | OFF | MOM | | | | |
| | Q13A15 | 3AS5 | ON | OFF | MOM | | | | |
| DP | Q13A21 | 3AD1 | ON | NONE | ON | 2-3,5-6 | N/A | 2-1,5-4 | |
| | Q13A22 | 3AD2 | ON | NONE | MOM | | | | |
| | Q13A23 | 3AD3 | ON | OFF | ON | | OPEN | | |
| | Q13A24 | 3AD4 | MOM | OFF | MOM | | | | |
| | Q13A25 | 3AD5 | ON | OFF | MOM | | | | |
| | ▲ | Q13A26 | 3AD6 | ON | ON | ON | 2-3,5-6 | 2-3,5-4 | 2-1,5-4 |
| | ▲ | Q13A27 | 3AD7 | MOM | ON | MOM | | | |
| | Q13A28 | 3AD8 | ON | ON | MOM | | | | |
| 3P | Q13A31 | 3A31 | ON | NONE | ON | 2-3,5-6,8-9 | N/A | 2-1,5-4,8-7 | |
| | Q13A32 | 3A32 | ON | NONE | MOM | | | | |
| | Q13A33 | 3A33 | ON | OFF | ON | | OPEN | | |
| | Q13A34 | 3A34 | MOM | OFF | MOM | | | | |
| | Q13A35 | 3A35 | ON | OFF | MOM | | | | |

MOM=MOMENTARY

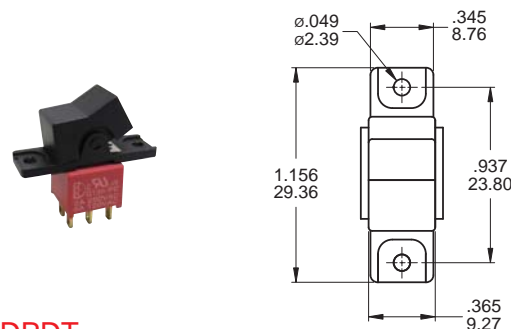
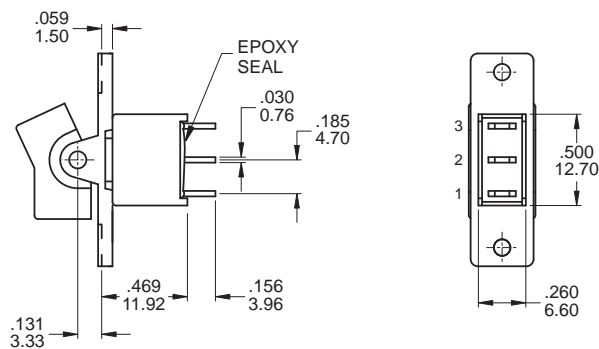
▲ Please check the availability in advance before order

POLE OPTIONS



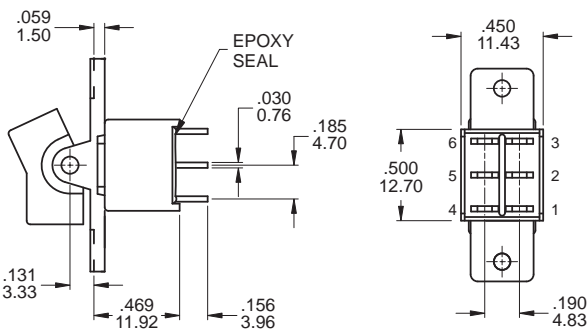
SPDT

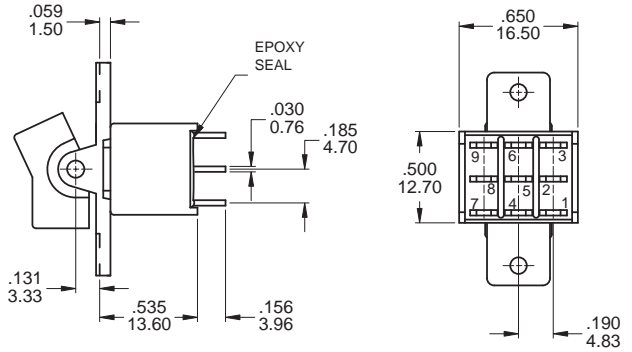
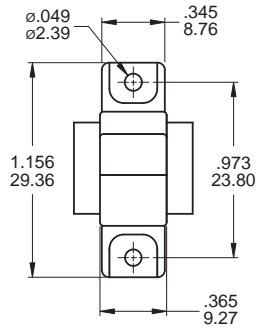
Part No. Shown : 3AS1R102M1QE



DPDT

Part No. Shown : 3AD1R102M1QE



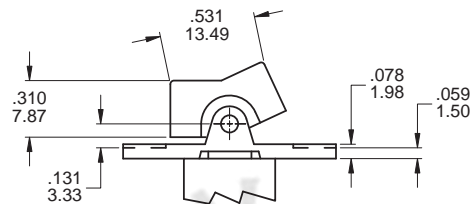
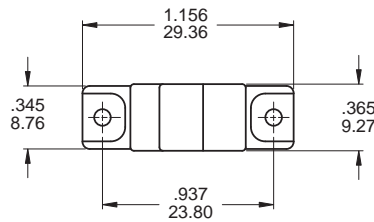


3PDT

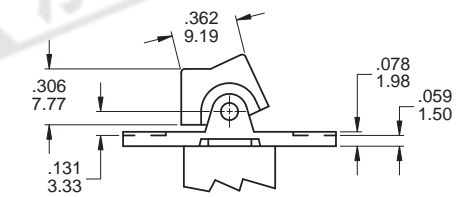
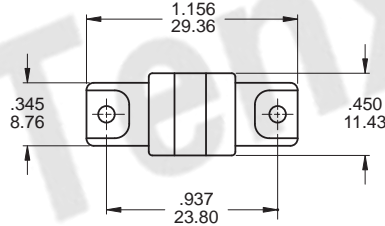
Part No. Shown : 3A31R102M1RE

ACTUATOR OPTIONS FOR PANEL MOUNT ONLY

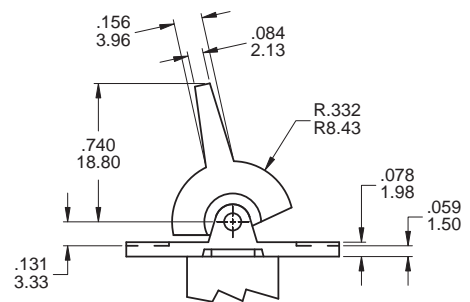
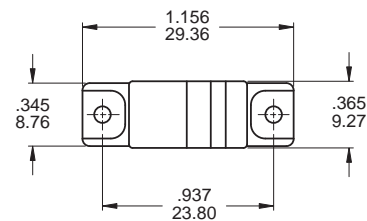
R1



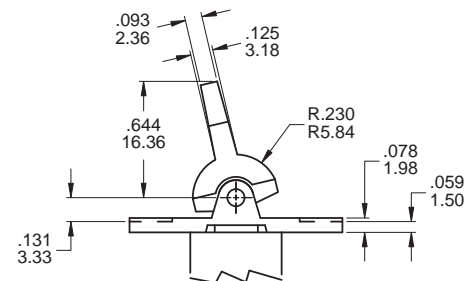
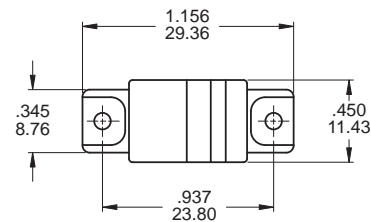
R11



R2



R12



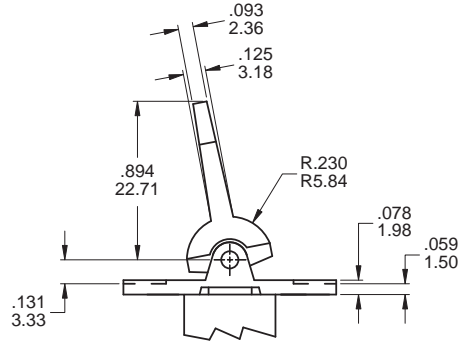
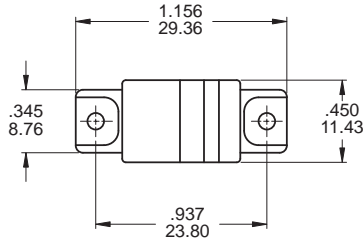
3A Series

Sealed Miniature Rocker & Paddle Switches

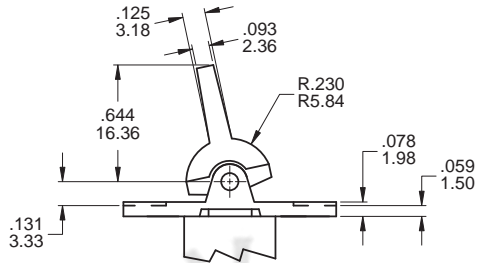
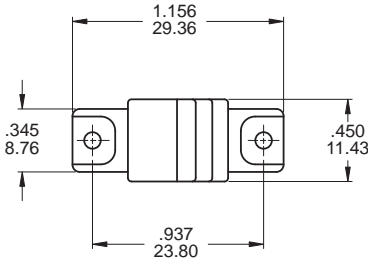


3A
Rocker Switches

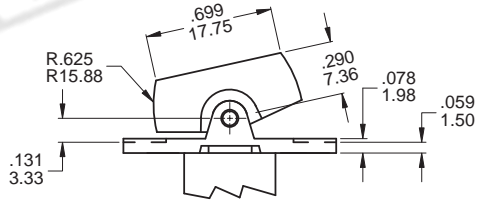
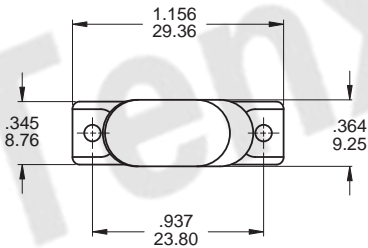
R13



R16

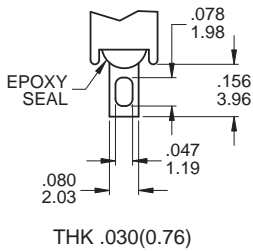


RB

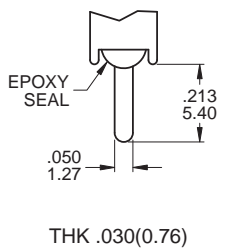


TERMINATION OPTIONS

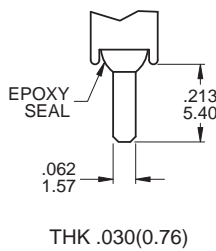
M1 Solder lug



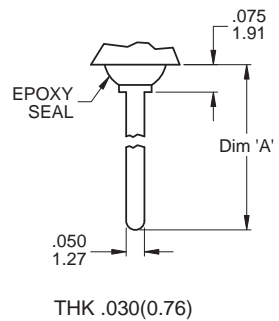
M2 PC Thru-hole



M3 Quick connect



M5 Wire Wrap



OTHER TERMINATION OPTIONS

M6 Right angle P.C. Mount

M7 Right angle P.C. Mount

VS2 Vertical bracket P.C. Mount

VS3 Vertical bracket P.C. Mount

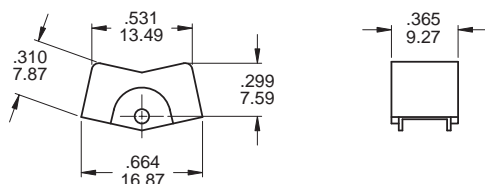
M6N Right angle P.C. Mount with snap-in bracket

V2N Vertical bracket P.C. Mount with snap-in bracket

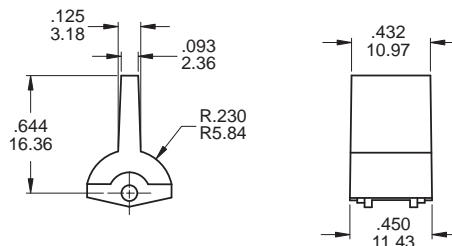
| OPTION CODE | DIM. 'A' |
|-------------|---------------|
| M51 | .736 (18.70) |
| M52 | .953 (24.20) |
| M53 | .415 (10.55) |
| M54 | 1.062 (26.97) |

ACTUATOR OPTIONS FOR P.C. MOUNT ONLY

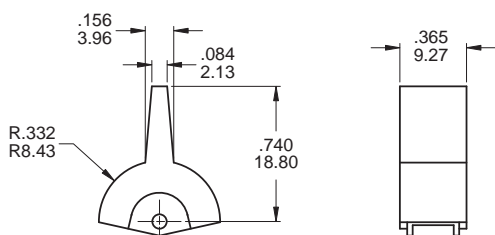
J1



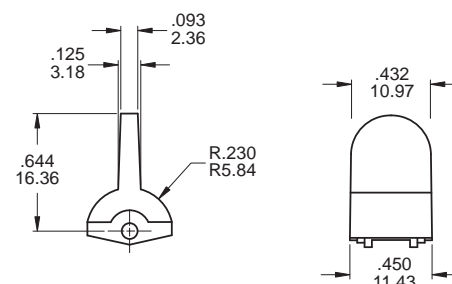
J6



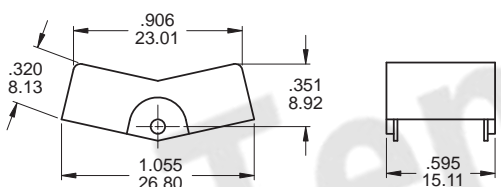
J2



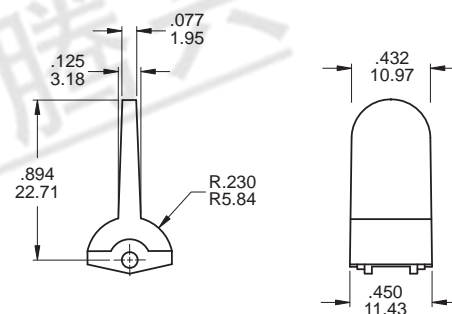
J7



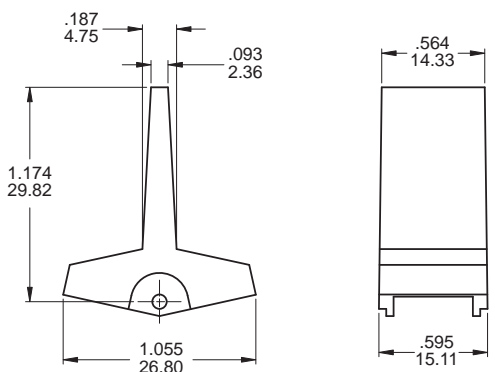
J3



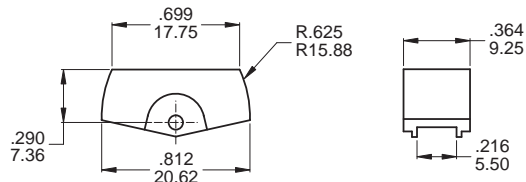
J8



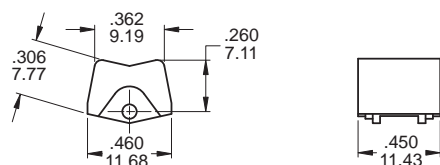
J4



JB



J5



Actuator colors:

| ITEM NO | COLOR |
|---------|---------------|
| 1 | White |
| 2 | Black (Std) |
| 3 | Red |
| 4 | Orange |
| 5 | Yellow |
| 6 | Green |
| 7 | Blue |
| 8 | Brown |
| 9 | Gray |

* Besides standard color, other colors need to check stocks available.



3A
Rocker Switches

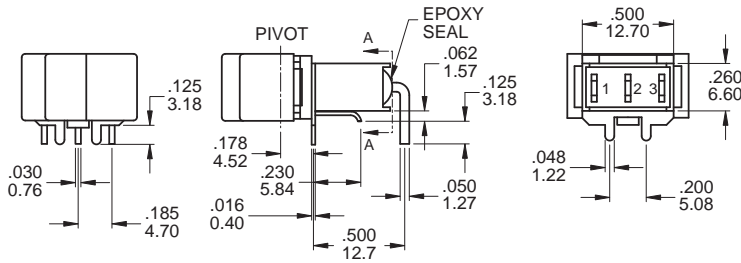
3A Series

Sealed Miniature Rocker & Paddle Switches



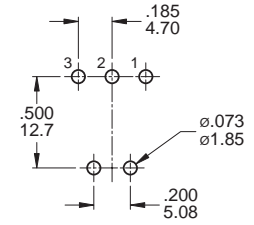
3A
Rocker Switches

M6



SECTION A-A
TERM.NOS.FOR
REFERENCE ONLY

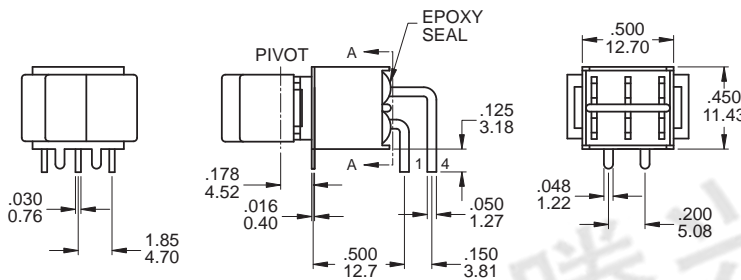
P.C. MOUNTING



SPDT

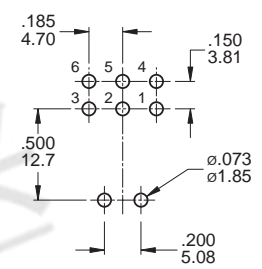
Part No. Shown : 3AS1J102M6QE

M6



SECTION A-A
TERM.NOS.FOR
REFERENCE ONLY

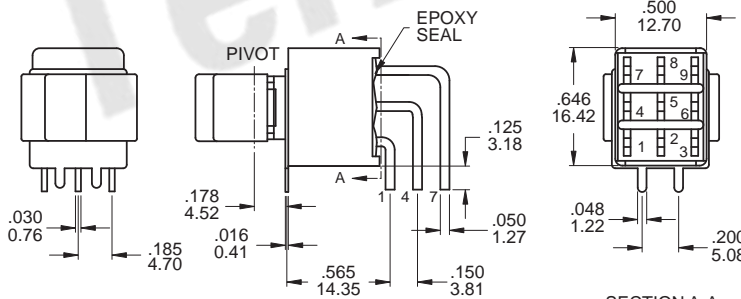
P.C. MOUNTING



DPDT

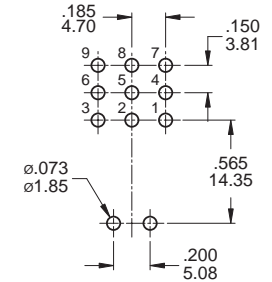
Part No. Shown : 3AD1J102M6QE

M6



SECTION A-A
TERM.NOS.FOR
REFERENCE ONLY

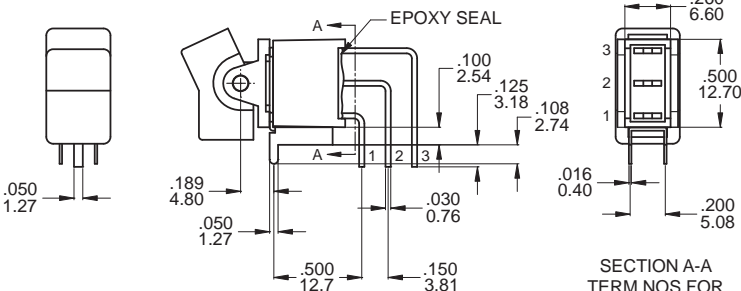
P.C. MOUNTING



3PDT

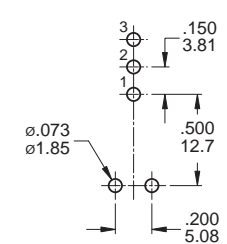
Part No. Shown : 3A31J102M6RE

M7



SECTION A-A
TERM.NOS.FOR
REFERENCE ONLY

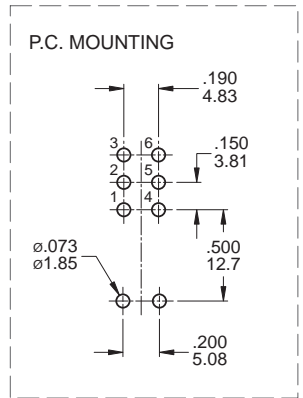
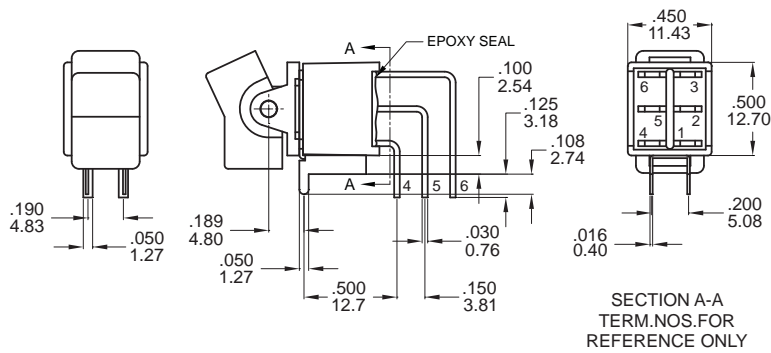
P.C. MOUNTING



SPDT

Part No. Shown : 3AS1J102M7RE

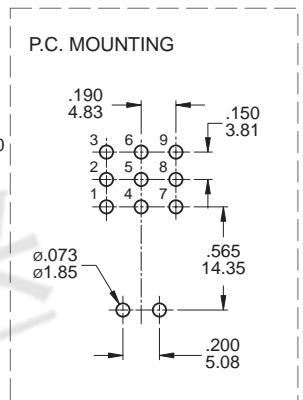
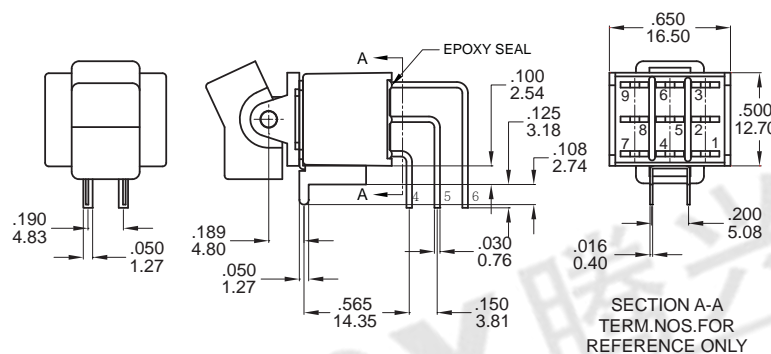
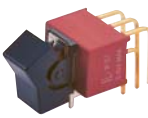
M7



DPDT

Part No. Shown : 3AD1J102M7RE

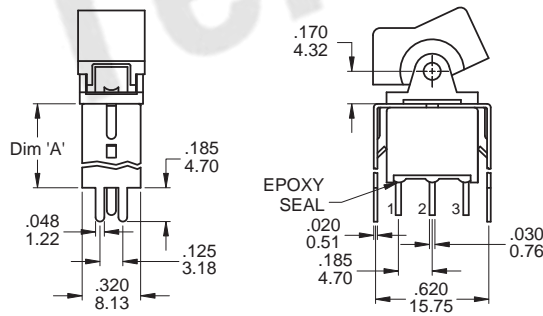
M7



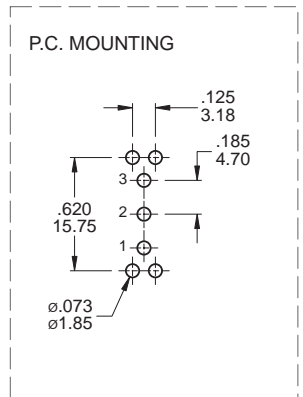
3PDT

Part No. Shown : 3A31J102M7RE

VS2 - VS3



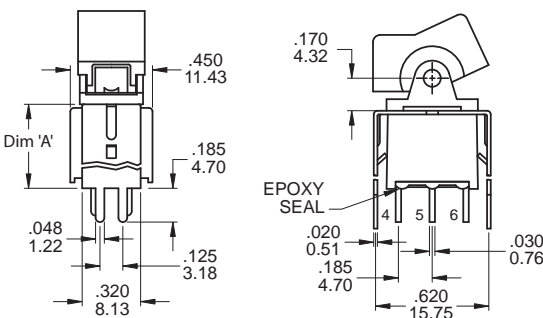
| OPTION CODE | DIM. 'A' |
|-------------|---------------|
| VS2 | .460 11.68 |
| VS3 | .630 16.00 |



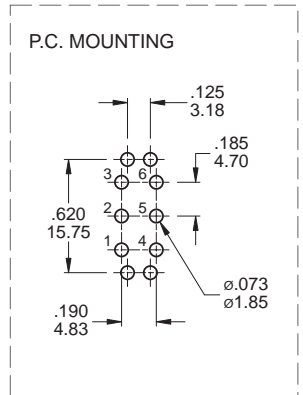
SPDT

Part No. Shown : 3AS1J102VS2QE

VS2 - VS3



| OPTION CODE | DIM. 'A' |
|-------------|---------------|
| VS2 | .460 11.68 |
| VS3 | .630 16.00 |



DPDT

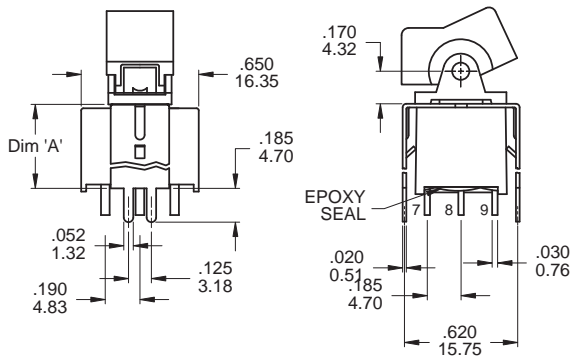
Part No. Shown : 3AD1J102VS2QE



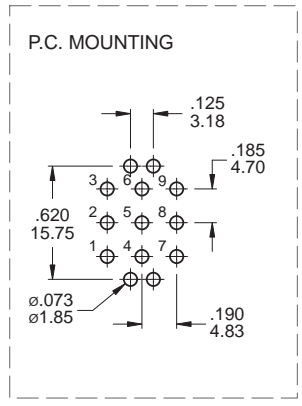
3A Series

Sealed Miniature Rocker & Paddle Switches

VS2 - VS3



| OPTION CODE | DIM. 'A' |
|-------------|---------------|
| VS2 | .460 11.68 |
| VS3 | .630 16.00 |



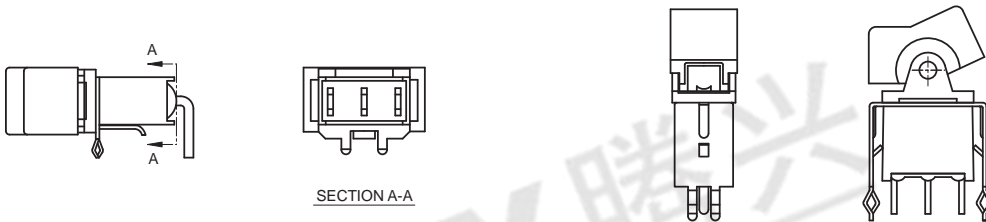
3PDT

Part No. Shown : 3A31J102VS2RE

SNAP-IN TERMINATION OPTIONS

M6N

V2N



CONTACT MATERIAL OPTIONS

| | CONTACT PLATING | TERMINAL PLATING | RATINGS |
|----------|------------------|-----------------------------------|-----------------------------------------------------|
| Q | Silver | Q = Gold flash over silver | 5 Amps with resistant load @ 120VAC or 28VDC |
| C | Gold over Silver | C = Gold over silver | 2 Amps with resistant load @ 250VAC |
| R | Gold | R = Gold | 0.4 Volt - Amps (VA) max. @ 20V max. (AC or DC) |

SOLDERING PROCESSES

MANUAL SOLDERING: Use soldering iron of 30 watts, controlled at 350°C approximately 5 seconds while applying solder.

WAVE SOLDERING: Recommended Soldering Temperature: 270 ± 5°C

Duration of Solder Immersion: Max 5 sec. (PCB is 1.6mm in thickness)