

3M Series

Miniature Rocker & Paddle Switches

SWITCH FUNCTION

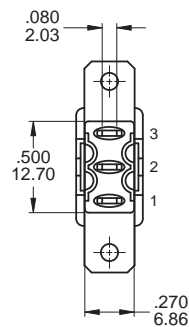
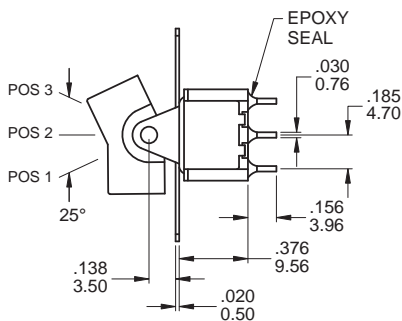
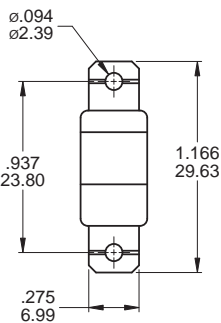
NO. POLES	UL/CSA MODEL NO.	MODEL NO.	SWITCH FUNCTION			CONNECTED TERMINALS / SCHEMATIC		
			POS.1	POS.2	POS.3	POS.1	POS.2	POS.3
3P	Q1311	3MS1	ON	NONE	ON		N/A	
	Q1312	3MS2	ON	NONE	MOM			
	Q1313	3MS3	ON	OFF	ON			
	Q1314	3MS4	MOM	OFF	MOM			
	Q1315	3MS5	ON	OFF	MOM			
DP ▲ ▲	Q1321	3MD1	ON	NONE	ON		N/A	
	Q1322	3MD2	ON	NONE	MOM			
	Q1323	3MD3	ON	OFF	ON			
	Q1324	3MD4	MOM	OFF	MOM			
	Q1325	3MD5	ON	OFF	MOM			
	Q1326	3MD6	ON	ON	ON			
	Q1327	3MD7	MOM	ON	MOM			
	Q1328	3MD8	ON	ON	MOM			
3P	Q1331	3M31	ON	NONE	ON		N/A	
	Q1332	3M32	ON	NONE	MOM			
	Q1333	3M33	ON	OFF	ON			
	Q1334	3M34	MOM	OFF	MOM			
	Q1335	3M35	ON	OFF	MOM			
4P ▲ ▲	Q1341	3M41	ON	NONE	ON		N/A	
	Q1342	3M42	ON	NONE	MOM			
	Q1343	3M43	ON	OFF	ON			
	Q1344	3M44	MOM	OFF	MOM			
	Q1345	3M45	ON	OFF	MOM			
	Q1346	3M46	ON	ON	ON			
	Q1347	3M47	MOM	ON	MOM			
	Q1348	3M48	ON	ON	MOM			

MOM=MOMENTARY

▲ Please check the availability in advance before order

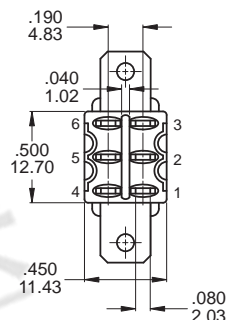
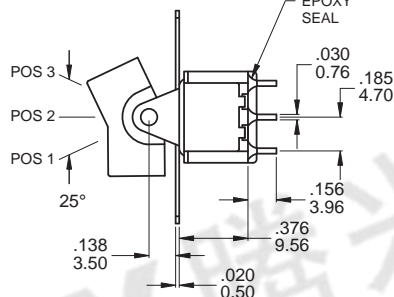
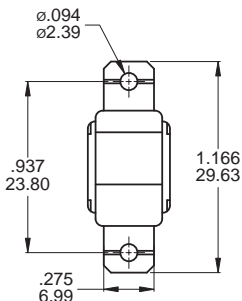
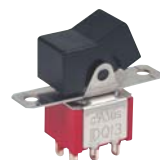
3M
Rocker Switches

POLE OPTIONS



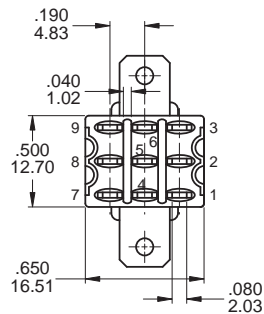
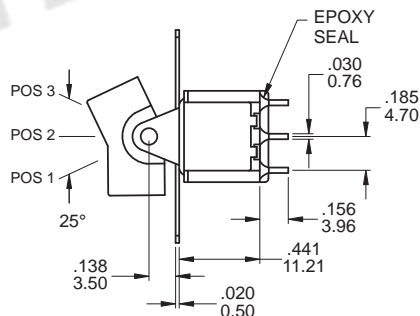
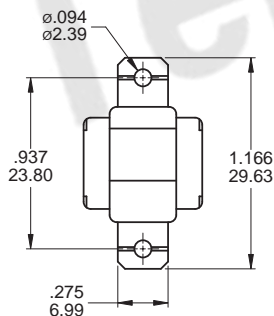
SPDT

Part No. Shown : 3MS1R102M1QE



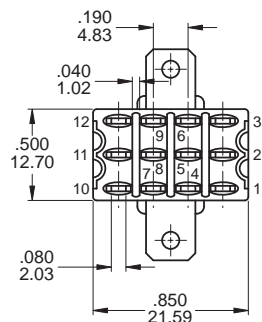
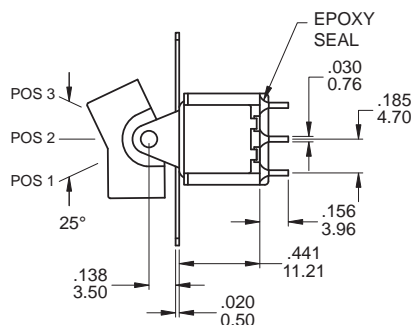
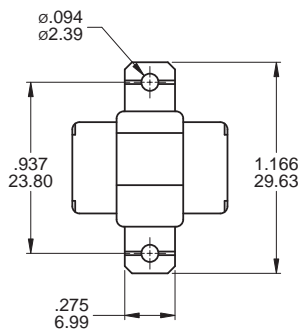
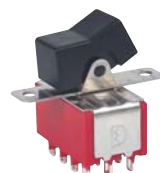
DPDT

Part No. Shown : 3MD1R102M1QE



3PDT

Part No. Shown : 3M31R102M1QE



4PDT

Part No. Shown : 3M41R102M1QE



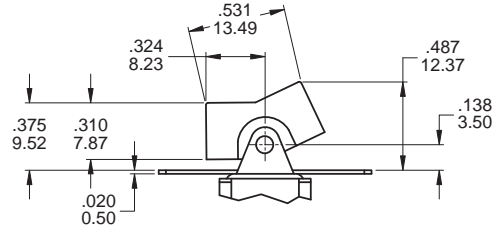
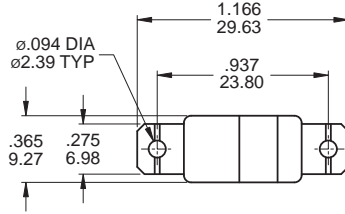
3M
Rocker Switches

3M Series

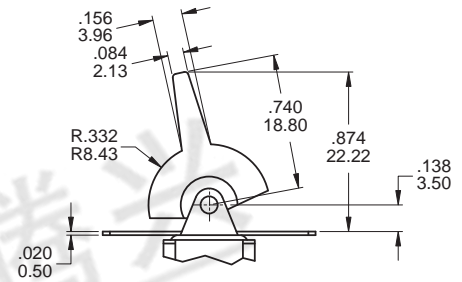
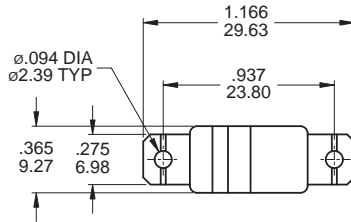
Miniature Rocker & Paddle Switches

ACTUATOR OPTIONS FOR PANEL MOUNT ONLY

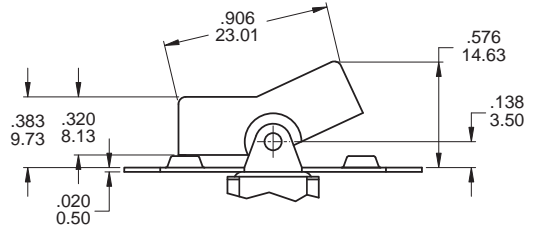
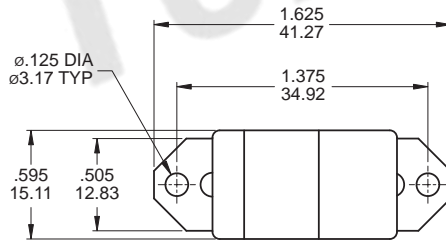
R1



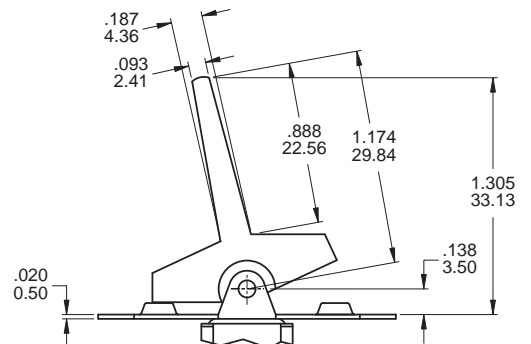
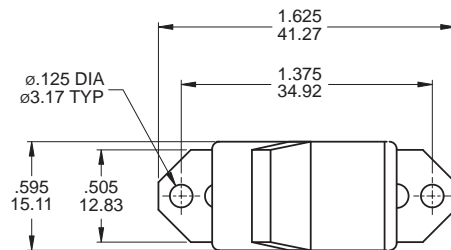
R2



R3



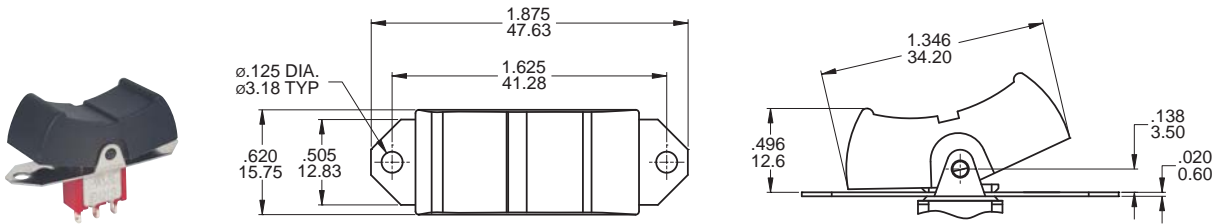
R4



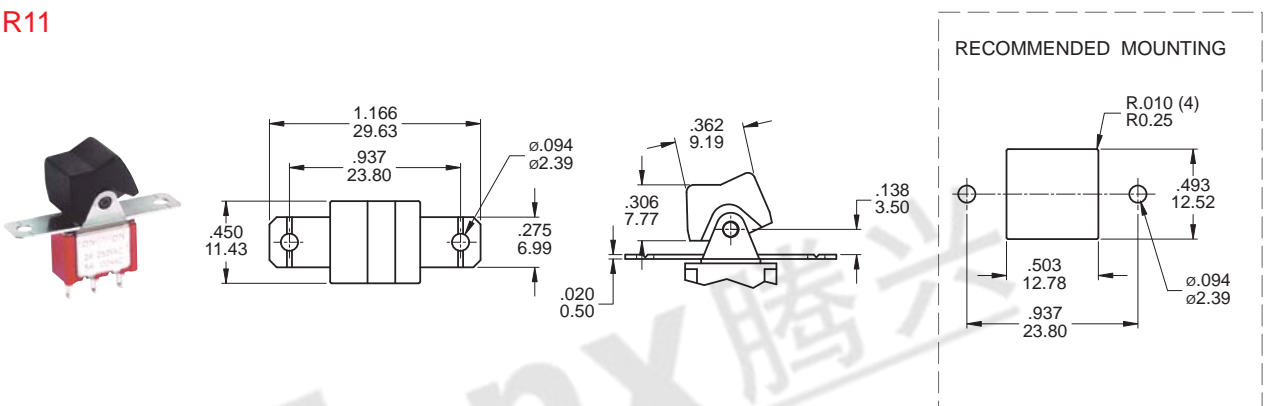


ACTUATOR OPTIONS SNAP-IN FRONT MOUNT

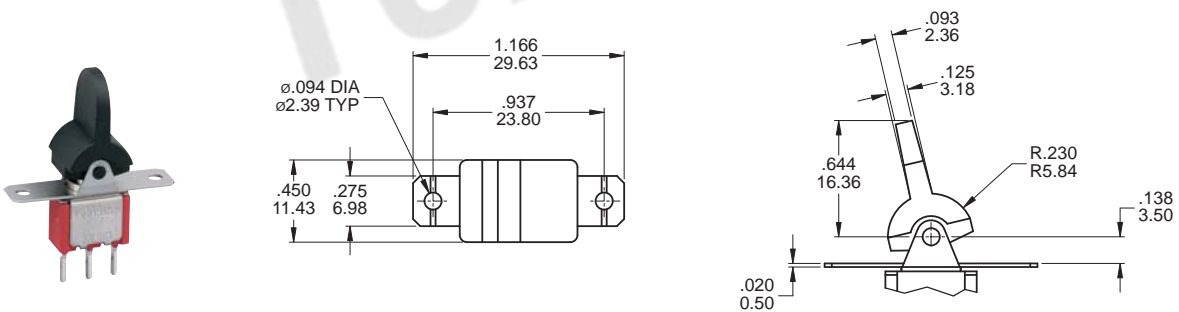
R5



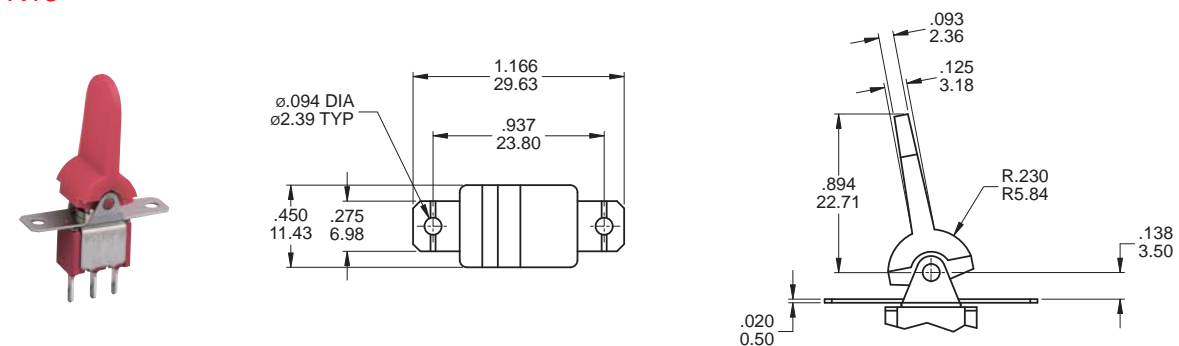
R11



R12



R13



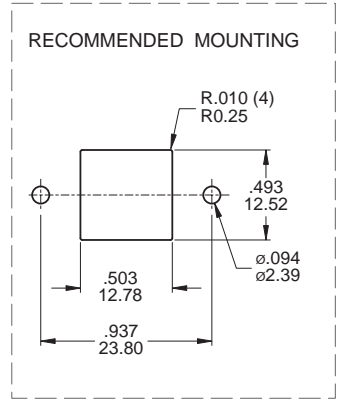
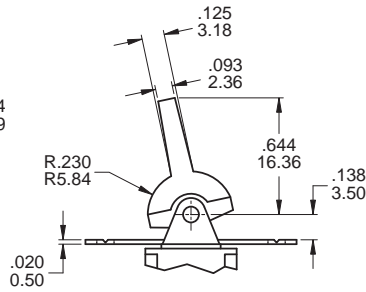
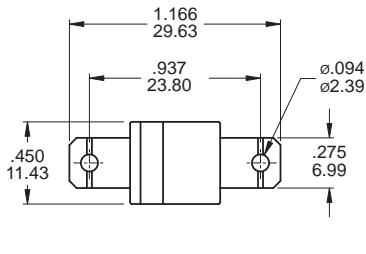
3M Series

Miniature Rocker & Paddle Switches

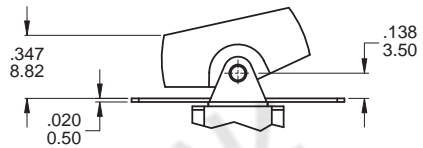
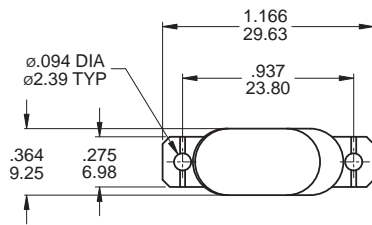


3M
Rocker Switches

R16

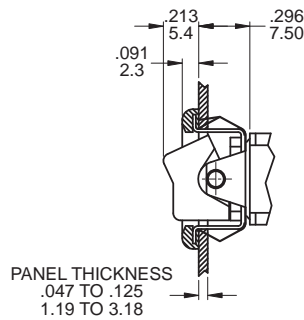
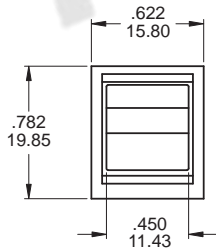


RB

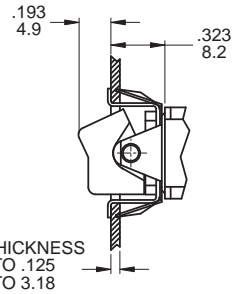


ACTUATOR OPTIONS SNAP-IN FRONT MOUNT

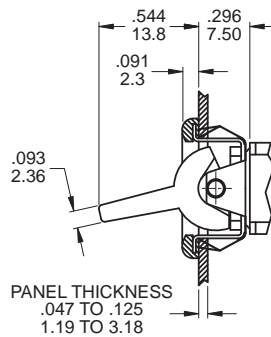
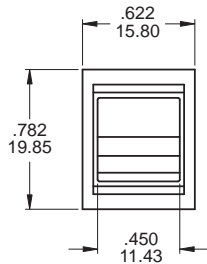
R6



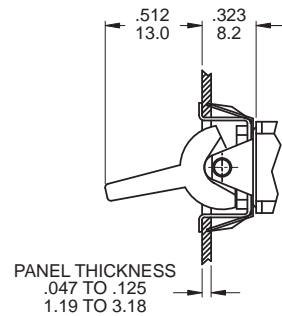
R6K Snap-in



R7

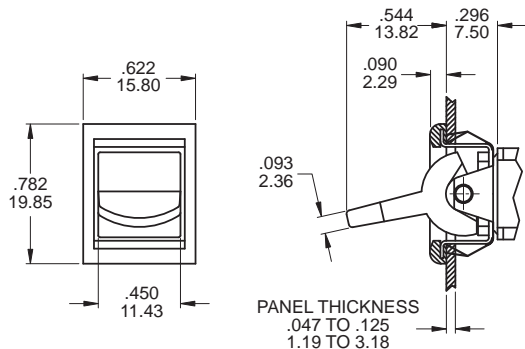


R7K Snap-in

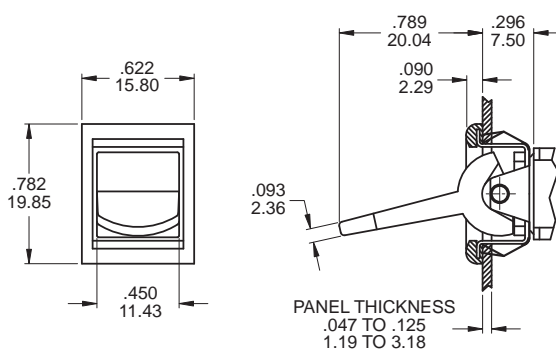




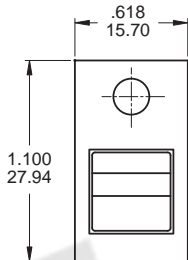
R8



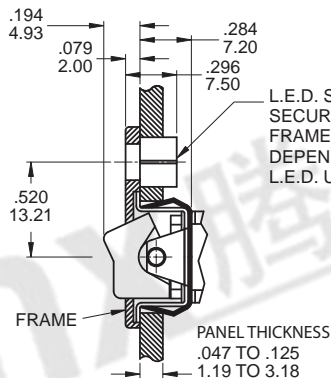
R9



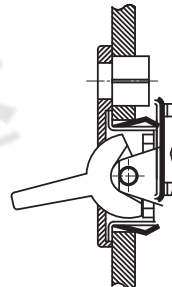
R18



▲R17



▲R18



CAP and FRAME colors

OPTION CODE	COLOR
1	WHITE
2	BLACK (std)
3	RED

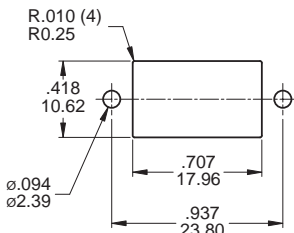
LED colors

OPTION CODE	COLOR
R	RED (std)
O	ORANGE
G	GREEN

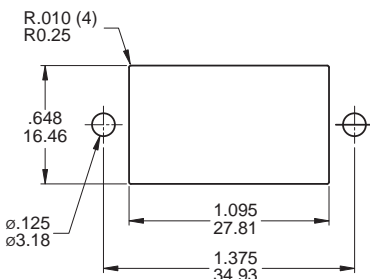
* Besides standard color, other colors need to check stocks available.

PANEL MOUNTING

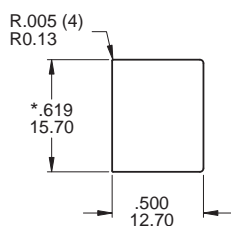
For R1-R2



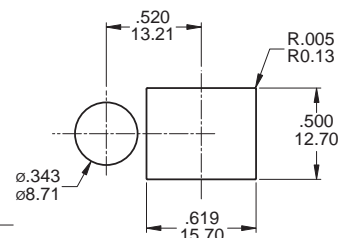
For R3-R4



For R6-R9



For R17-R18



* For R6 and R7: Increase this dim. to .620/.625(15,75/15,88) for .060/.125 (1,52/3,18) thk. panels.

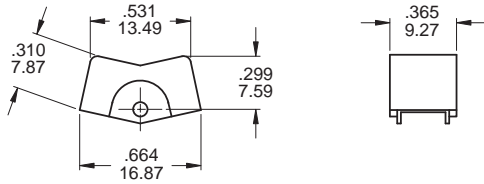
* For R8 and R9: Increase this dim. to .620/.625(15,75/15,88) for .091/.125 (2,31/3,18) thk. panels.

3M Series

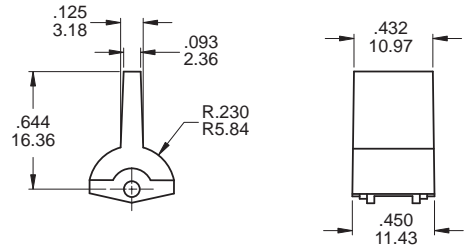
Miniature Rocker & Paddle Switches

ACTUATOR OPTIONS FOR P.C. MOUNT ONLY

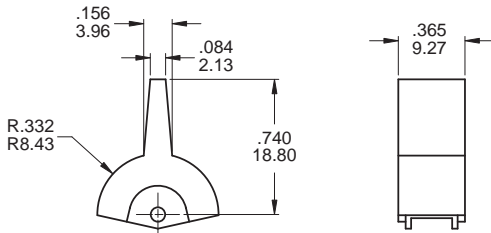
J1



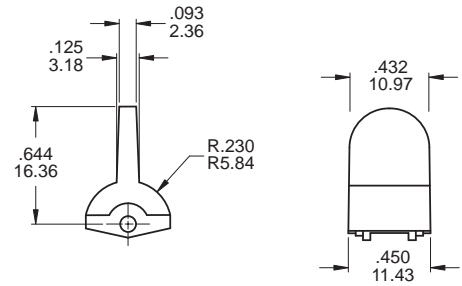
J6



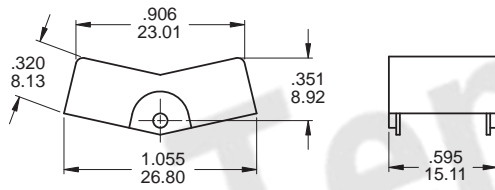
J2



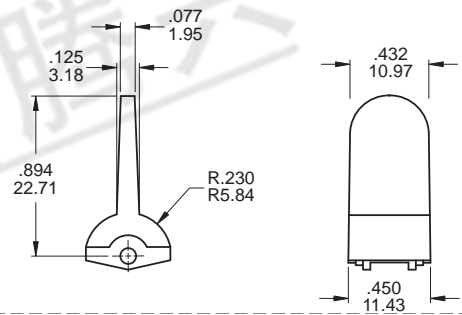
J7



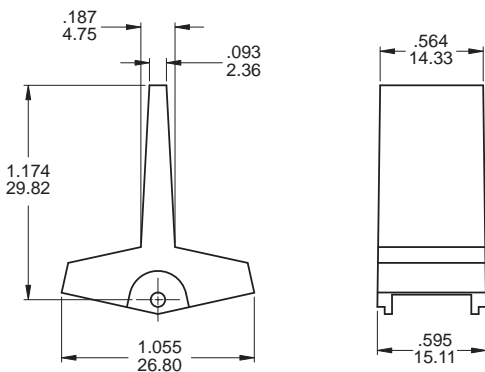
J3



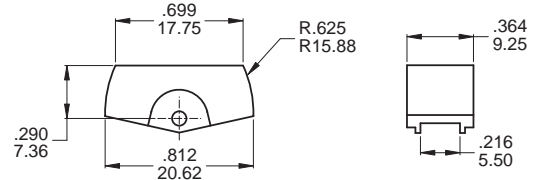
J8



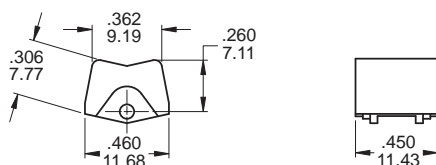
J4



JB



J5



Actuator colors:

ITEM NO	COLOR
1	White
2	Black (Std)
3	Red
4	Orange
5	Yellow
6	Green
7	Blue
8	Brown
9	Gray

* Besides standard color, other colors need to check stocks available.



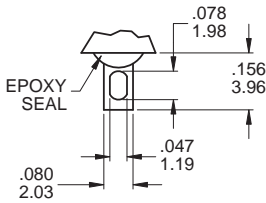
3M
Rocker Switches



3M
Rocker Switches

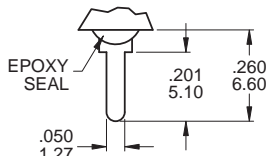
TERMINATION OPTIONS

M1 Solder lug



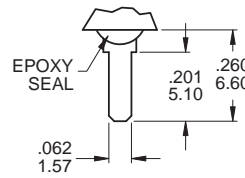
THK .030(0.76)

M2 PC Thru-hole



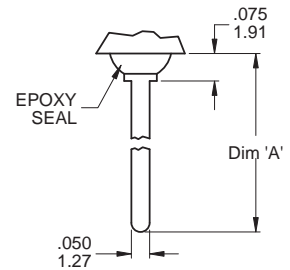
THK .030(0.76)

M3 Quick connect



THK .030(0.76)

M5 Wire Wrap



THK .030(0.76)

OTHER TERMINATION OPTIONS

M6 Right angle P.C. Mount

M7 Right angle P.C. Mount

VS2 Vertical bracket P.C. Mount

VS3 Vertical bracket P.C. Mount

VS4 Vertical bracket P.C. Mount

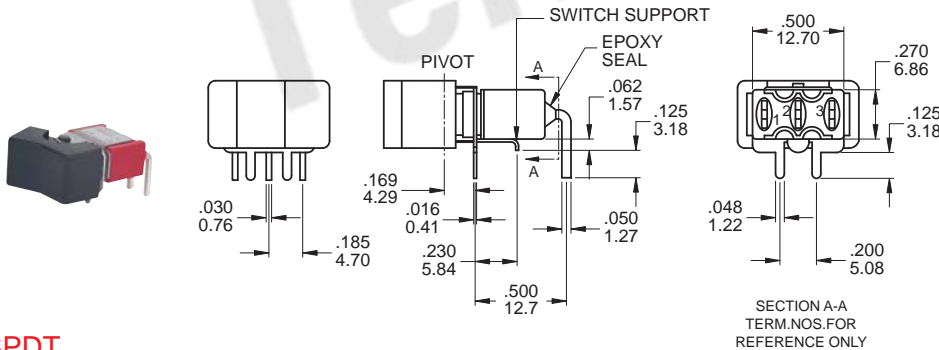
VS5 Vertical bracket P.C. Mount

V2N Vertical bracket P.C. Mount
with snap-in bracket

OPTION CODE	DIM. 'A'
M51	.736 (18.70)
M52	.953 (24.20)
M53	.415 (10.55)
M54	1.062 (26.97)

* Shown with J1 Actuator

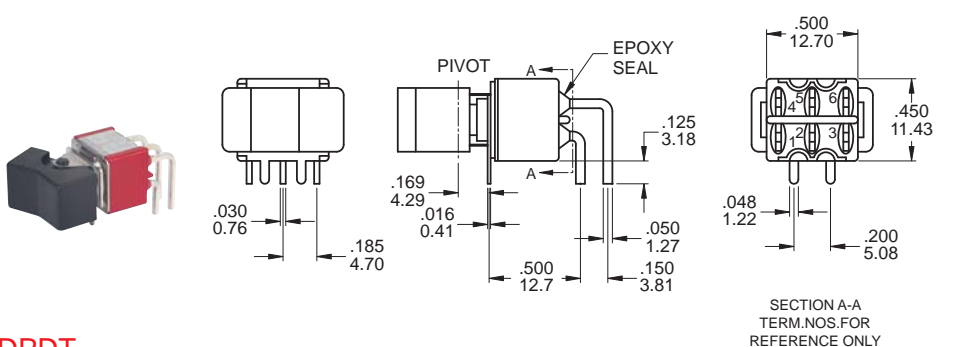
M6



SPDT

Part No. Shown : 3MS1J102M6QE

M7



DPDT

Part No. Shown : 3MD1J102M6QE

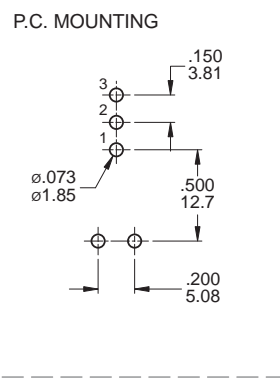
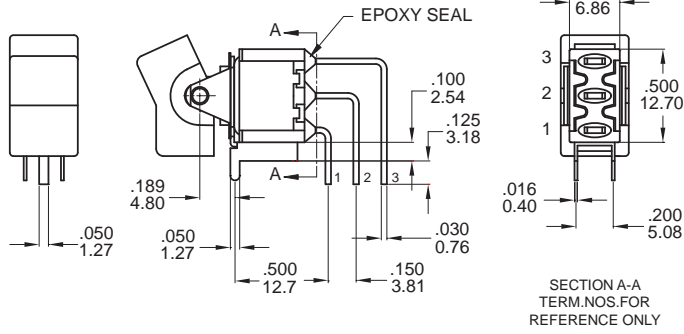
3M Series

Miniature Rocker & Paddle Switches



3M
Rocker Switches

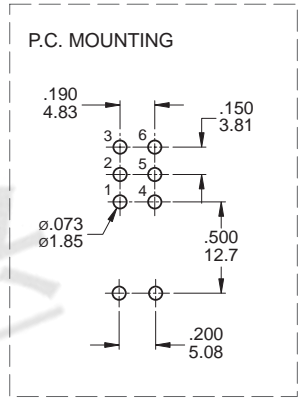
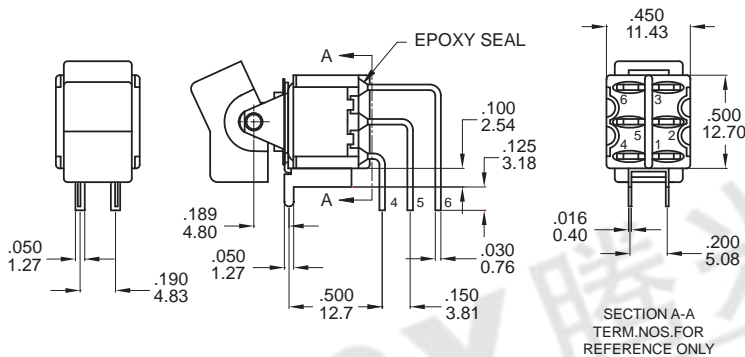
M7



SPDT

Part No. Shown : 3MS1J102M7QE

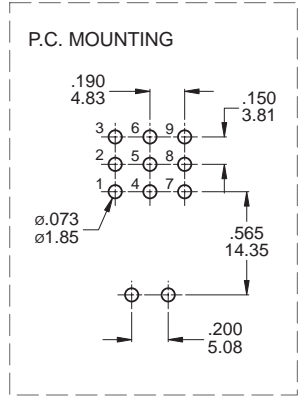
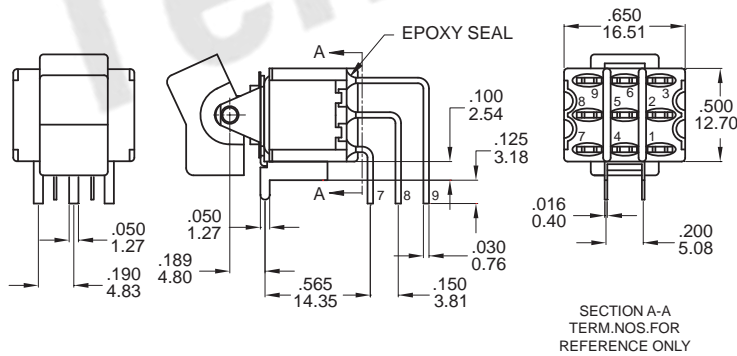
M7



DPDT

Part No. Shown : 3MD1J102M7QE

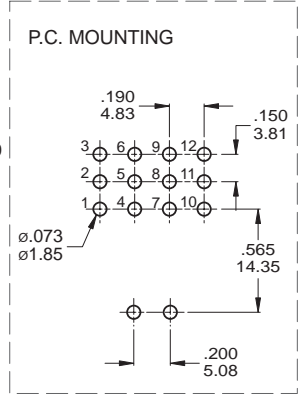
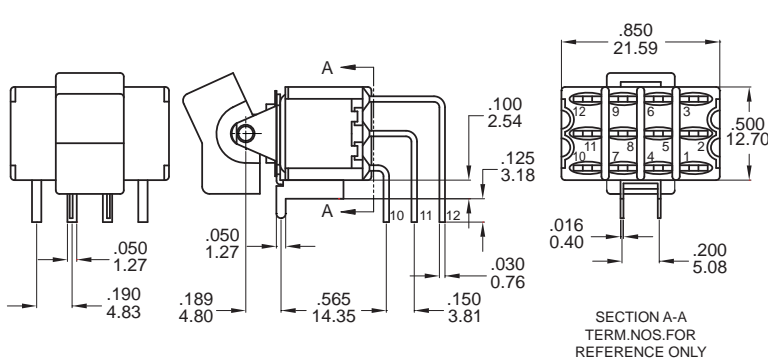
M7



3PDT

Part No. Shown : 3M31J102M7QE

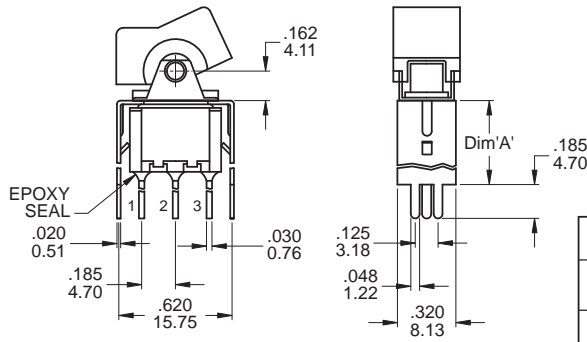
M7



4PDT

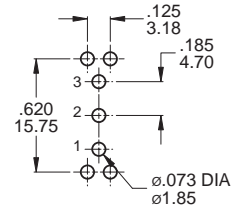
Part No. Shown : 3M41J102M7RE

VS2 - VS3



OPTION CODE	DIM. 'A'
VS2	.460 11.68
VS3	.630 16.00

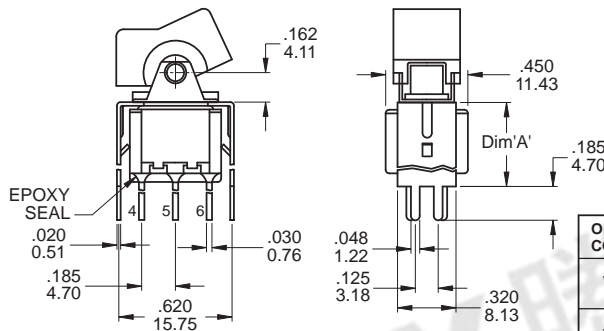
P.C. MOUNTING



SPDT

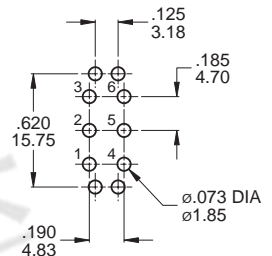
Part No. Shown : 3MS1J102VS2QE

VS2 - VS3



OPTION CODE	DIM. 'A'
VS2	.460 11.68
VS3	.630 16.00

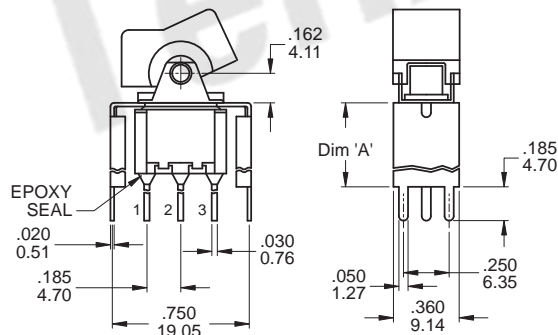
P.C. MOUNTING



DPDT

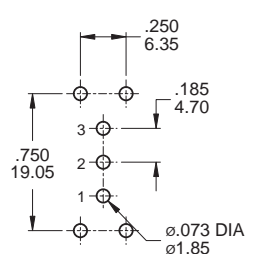
Part No. Shown : 3MD1J102VS2QE

VS4 - VS5



OPTION CODE	DIM. 'A'
VS4	.460 11.68
VS5	.630 16.00

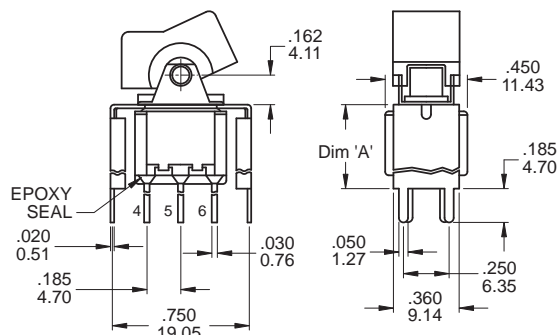
P.C. MOUNTING



SPDT

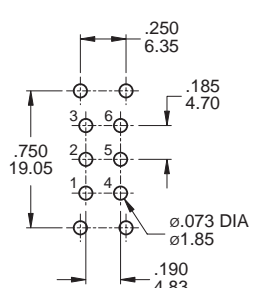
Part No. Shown : 3MS1J102VS4QE

VS4 - VS5



OPTION CODE	DIM. 'A'
VS4	.460 11.68
VS5	.630 16.00

P.C. MOUNTING



DPDT

Part No. Shown : 3MD1J102VS5QE



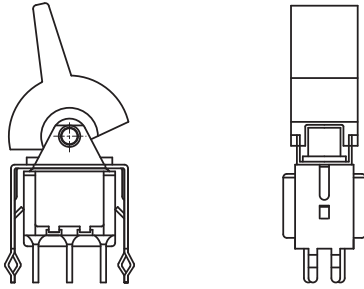
3M
Rocker Switches

3M Series

Miniature Rocker & Paddle Switches

SNAP-IN TERMINATION OPTIONS

V2N



CONTACT MATERIAL OPTIONS

	CONTACT PLATING	TERMINAL PLATING	RATINGS
Q	Silver	Q = Silver	5 Amps with resistant load @ 120VAC or 28VDC
C	Gold over Silver	C = Gold over silver	2 Amps with resistant load @ 250VAC
R	Gold	R = Gold	0.4 Volt - Amps (VA) max. @ 20V max. (AC or DC)

SOLDERING PROCESSES

MANUAL SOLDERING: Use soldering iron of 30 watts, controlled at 350°C approximately 5 seconds while applying solder.

WAVE SOLDERING: Recommended Soldering Temperature: 270 ± 5°C

Duration of Solder Immersion: Max 5 sec. (PCB is 1.6mm in thickness)



3M
Rocker Switches