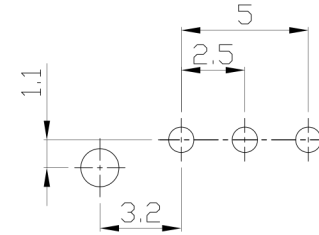
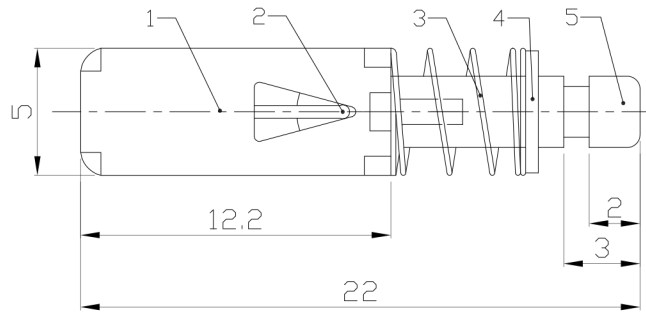




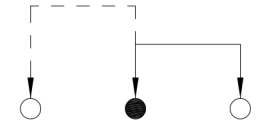
RoHS Compliant
2002/95/EC

REV.	ECN.	NO.	APPD.

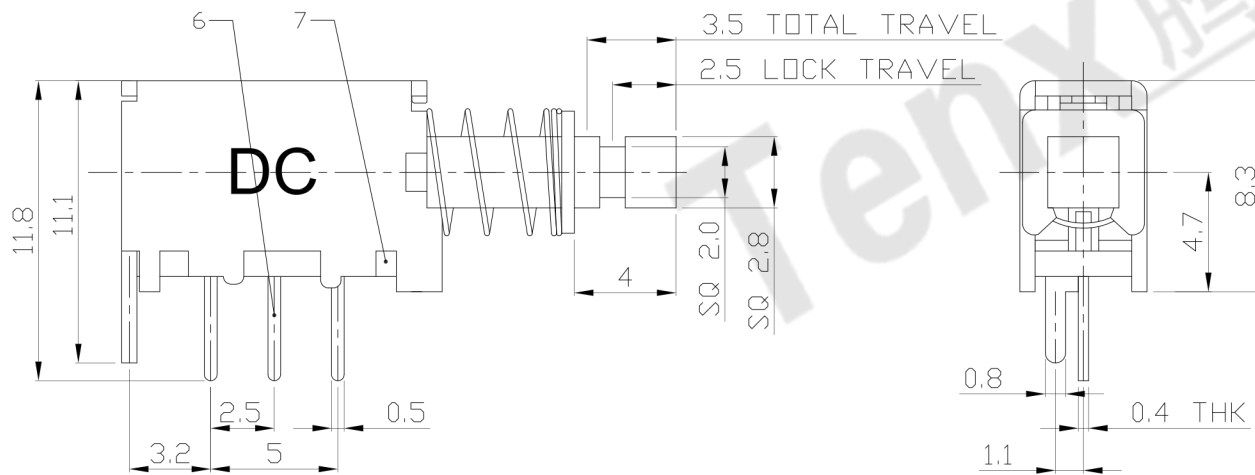
DIMENSIONS



P.C.B LAYOUT
BOTTOM VIEW



CIRCUIT DIAGRAM



ELECTRO-MECHANICAL CHARACTERISTICS

Refer to additional specifications

RATING	0.3A 50V DC
CIRCUIT	1P2T
CONTACT RESISTANCE	30mΩ MAX.
TIMING	NON-SHORTING
OPERATING MODE	SELF-LOCK
STROKE	FULL 3.5mm LOCK 2.5mm
OPERATING FORCE	250±100gf
OPERATING LIFE(cycles)	10,000

9	CONTACT CLIP	PBS C5210R-EH	1	Ag CLAD	WITHIN 1.5mm: ±0.1mm
8	SPRING PLATE	PBS STRIP	1	NATURAL	OVER 1.5mm: ±0.2mm
7	BASE	PHENOLIC RESIN	1	NATURAL	
6	TERMINAL	BRASS STRIP	3	Ag PLATED OVER Ni PLATE	
5	KNOB	PDM	1	BLUE/BLACK	
4	BLOCK	STEEL STRIP	1	Ni PLATED	
3	SPRING	STEEL WIRE	1	Ni PLATED	
2	CAM STICK	PBS WIRE	1	NATURAL	
1	FRAME	STEEL STRIP	1	Ni PLATED	
NO.	PARTS	MATERIAL	Q'TY	FINISHING	

UNITS	mm
MAT'L	
SEE NOTE	
FINISH	
SEE NOTE	
Q'TY	

东莞市腾兴电子有限公司

TITLE: PUSH SWITCH / HORIZONTAL PART NO.: AP-12E06L

DR: Ricky 2017/05/12 DWG NO.: AZJ-12E06

CHKD: Ricky 2017/05/12 SCALE SHEET REV. CUSTOMER DRAWING

THESE DRAWINGS AND SPECIFICATIONS ARE THE PROPERTY OF ACCURATE INNOTECH INC AND SHALL NOT BE REPRODUCED, COPIED OR USED IN ANY MANNER WITHOUT THE PRIOR WRITTEN CONSENT OF ACCURATE INNOTECH INC.

