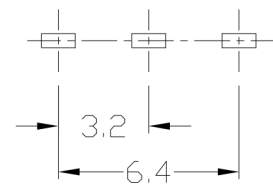
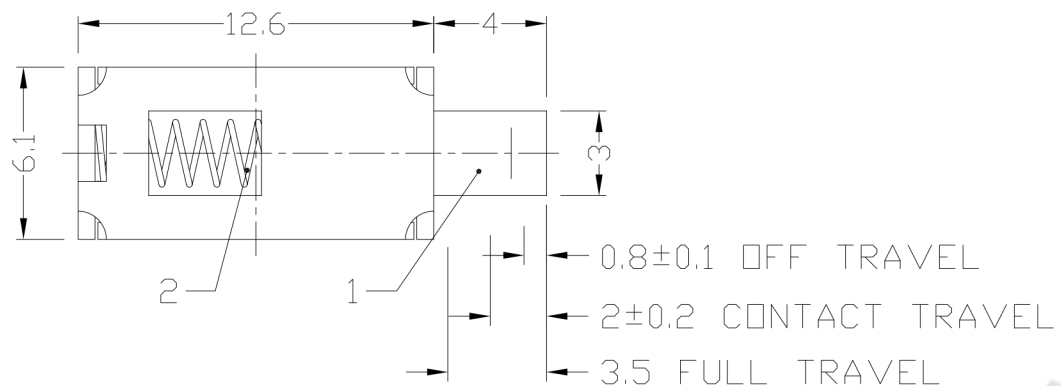




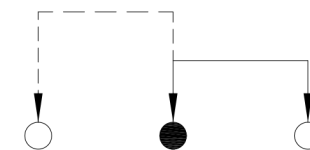
**RoHS Compliant**  
2002/95/EC

REV.	ECN.	NO.	APPD.

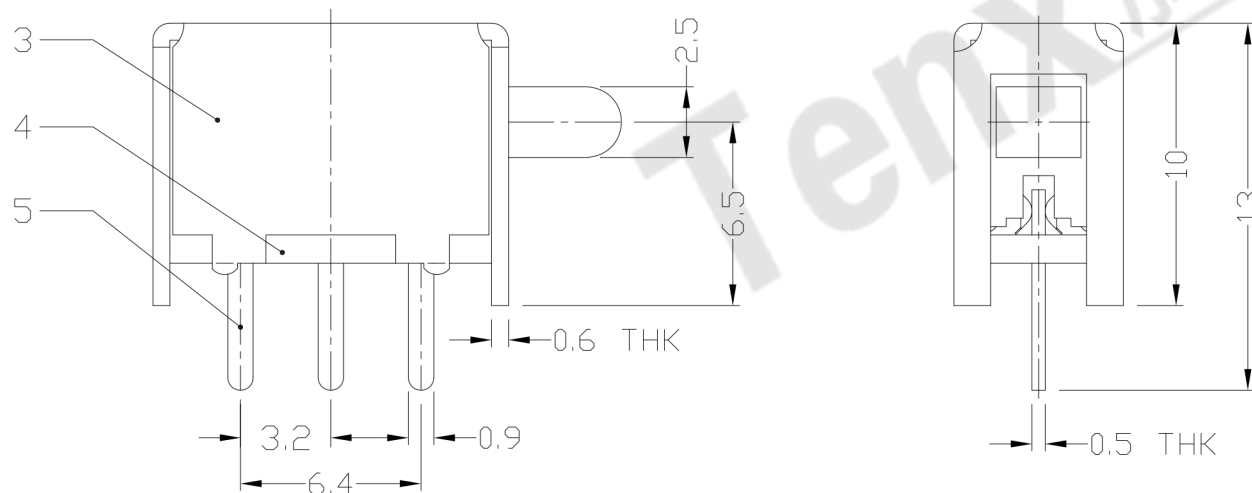
### DIMENSIONS



P.C.B LAYOUT  
BOTTOM VIEW



CIRCUIT DIAGRAM



### ELECTRO-MECHANICAL CHARACTERISTICS

Refer to additional specifications

RATING	DC50V 0.3A
CIRCUIT	1P2T
CONTACT RESISTANCE	100mΩ MAX.
TIMING	NON-SHORTING
OPERATING MODE	NON-LOCK
STROKE	OFF 0.8±0.1 FULL 3.5mm CONTACT 2±0.2
OPERATING FORCE	70±20gf
OPERATING LIFE(cycles)	10,000

8					
7					
6	CONTACT CLIP	PBS STRIP	1	Ag PLATED	
5	TERMINAL	BRASS STRIP	3	Ag PLATED	
4	BASE	PHENOLIC RESIN	1	NATURAL	
3	FRAME	STEEL STRIP	1	Ni PLATED	
2	SPRING	STEEL WIRE	1	NATURAL	
1	KNOB	POM	1	BLACK	
NO.	PARTS	MATERIAL	Q'TY	FINISHING	

WITHIN 1.5mm:±0.1mm  
 OVER 1.5mm:±0.2mm  
 THESE DRAWINGS AND SPECIFICATIONS ARE THE PROPERTY OF ACCURATE INNO TECH INC AND SHALL NOT BE REPRODUCED, COPIED OR USED IN ANY MANNER WITHOUT THE PRIOR WRITTEN CONSENT OF ACCURATE INNO TECH INC.

UNITS mm  
 MAT'L SEE NOTE  
 FINISH SEE NOTE  
 Q'TY

**东莞市腾兴电子有限公司**

TITLE: PUSH SWITCH / HORIZONTAL  
 PART NO.: AP-12F03N  
 DR: Ricky 2015/03/30  
 DWG NO.: ADL-12F03  
 CHKD: Ricky 2015/03/30  
 APPD:  
 SCALE: 3:1  
 SHEET: 1/1  
 REV.: A  
 CUSTOMER DRAWING