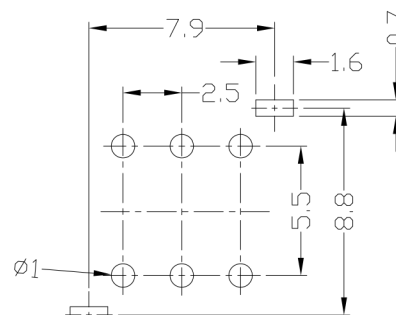
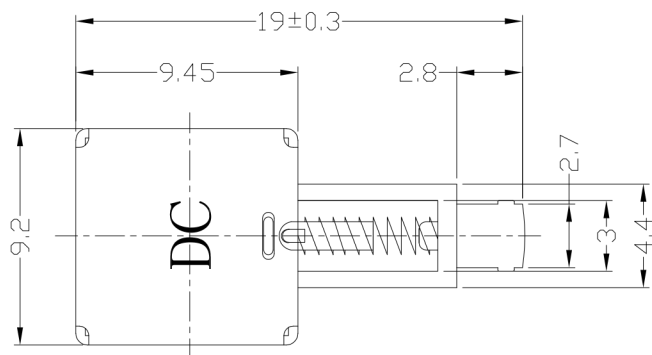




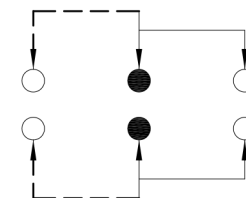
**RoHS Compliant**  
2002/95/EC

REV.	ECN.	NO.	APPD.

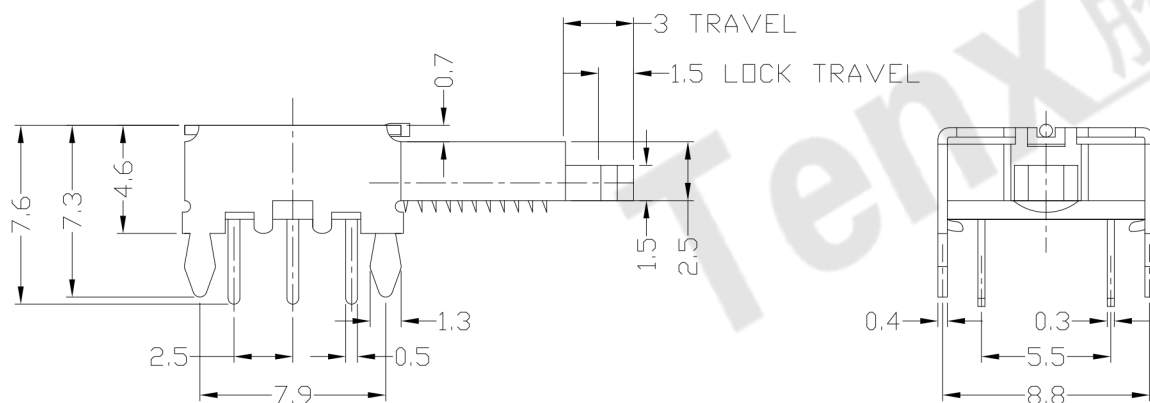
### DIMENSIONS



P.C.B LAYOUT



CIRCUIT DIAGRAM



### ELECTRO-MECHANICAL CHARACTERISTICS

Refer to additional specifications

RATING	DC50V 0.3A	
CIRCUIT	2P2T	
CONTACT RESISTANCE	100mΩ MAX.	
TIMING	NON-SHORTING	
OPERATING MODE	SELF-LOCK	AP-22E02L
	NON-LOCK	AP-22E03N
STROKE	FULL 3.0mm	LOCK 1.5mm
OPERATING FORCE	250±100gf	
OPERATING LIFE(cycles)	10,000	

8	CLIP	PBS	2	Ag PLATED
7	SPRING PLATE	PBS	1	NATURAL
6	CAM STICK	PBS WIRE	1	NATURAL
5	SPRING	SUS WIRE	1	NATURAL
4	TERMINAL	BRASS	6	Ag PLATED
3	TERMINAL CASE	PHENOLIC RESIN	1	NATURAL
2	COVER	MILD STEEL	1	Ni PLATED
1	KNOB	PDM/PBT	1	YELLOW
NO.	PARTS	MATERIAL	Q'TY	FINISHING

WITHIN 1.5mm: ±0.1mm  
OVER 1.5mm: ±0.2mm

THESE DRAWINGS AND SPECIFICATIONS ARE THE PROPERTY OF ACCURATE INNO TECH INC AND SHALL NOT BE REPRODUCED, COPIED OR USED IN ANY MANNER WITHOUT THE PRIOR WRITTEN CONSENT OF ACCURATE INNO TECH INC.

UNITS mm  
MAT'L SEE NOTE  
FINISH SEE NOTE  
Q'TY

### 东莞市腾兴电子有限公司

TITLE:	PUSH SWITCH / HORIZONTAL	PART NO.:	AP-22E02L & AP-22E03N		
DR:	Ricky 2017/05/12	DWG NO.:	AZJ-22E0203		
CHKD:	Ricky 2017/05/12	SCALE	SHEET	REV.	CUSTOMER DRAWING
APPD:		3:1	1/1	A	