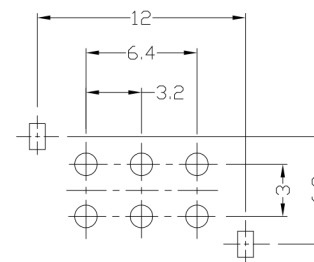
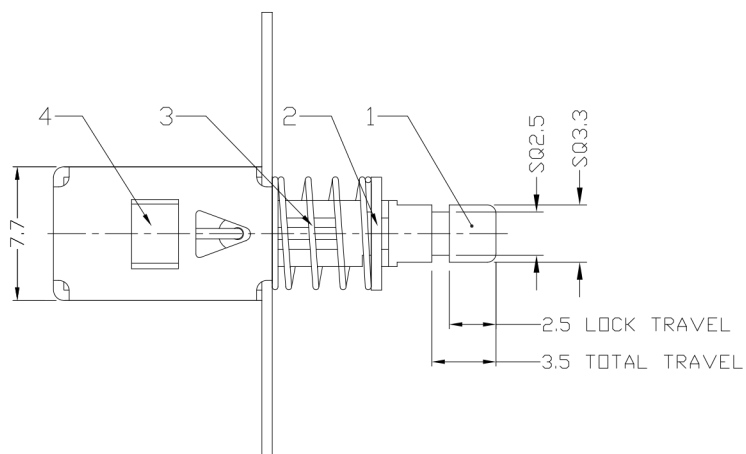




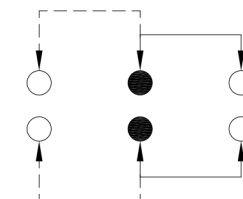
**RoHS Compliant**  
2002/95/EC

REV.	ECN.	NO.	APPD.

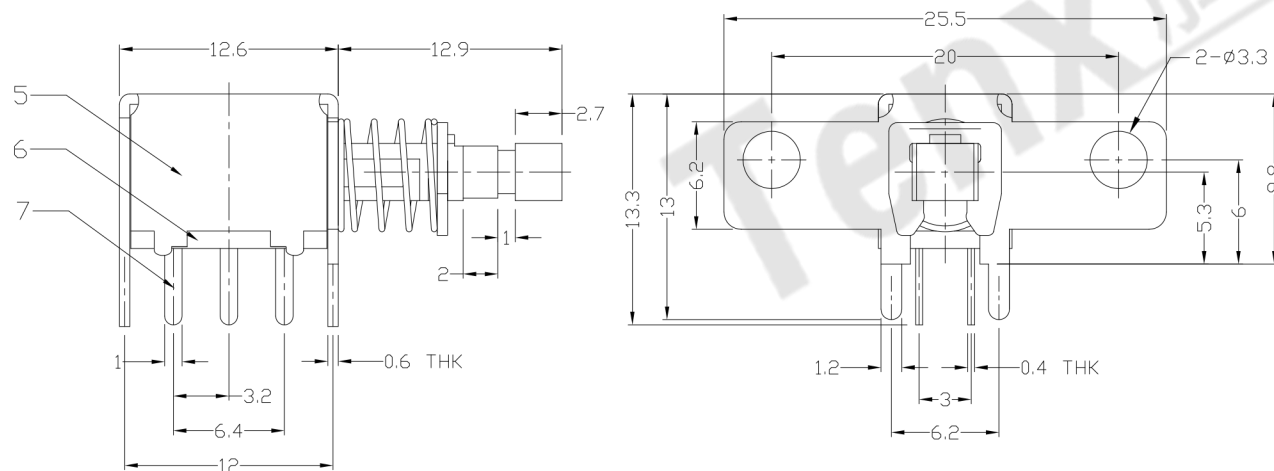
### DIMENSIONS



P.C.B LAYOUT  
BOTTOM VIEW



CIRCUIT DIAGRAM



### ELECTRO-MECHANICAL CHARACTERISTICS

Refer to additional specifications

RATING	DC50V 0.3A	
CIRCUIT	2P2T	
CONTACT RESISTANCE	100mΩ MAX.	
TIMING	NON-SHORTING	
OPERATING MODE	SELF-LOCK	AP-22F06L
	NON-LOCK	AP-22F12N
STROKE	TOTAL 3.5mm	LOCK 2.5mm
OPERATING FORCE	350±100gf	
OPERATING LIFE(cycles)	10,000	

9	CONTACT CLIP	PBS STRIP	2	Ag PLATED	WITHIN 1.5mm:±0.1mm
8	CAM STICK	PBS WIRE	1	NATURAL	OVER 1.5mm:±0.2mm
7	TERMINAL	BRASS STRIP	6	Ag PLATED	
6	BASE	PHENOLIC RESIN	1	NATURAL	
5	FRAME	STEEL STRIP	1	Ni PLATED	
4	SPRING PLATE	PBS STRIP	1	NATURAL	
3	SPRING	STEEL WIRE	1	Ni PLATED	
2	BLOCK	STEEL STRIP	1	Ni PLATED	
1	KNOB	PA66	1	BLACK	
NO.	PARTS	MATERIAL	Q'TY	FINISHING	

THESE DRAWINGS AND SPECIFICATIONS ARE THE PROPERTY OF ACCURATE INNO TECH INC AND SHALL NOT BE REPRODUCED, COPIED OR USED IN ANY MANNER WITHOUT THE PRIOR WRITTEN CONSENT OF ACCURATE INNO TECH INC.

UNITS	mm
MAT'L	SEE NOTE
FINISH	SEE NOTE
Q'TY	

**东莞市腾兴电子有限公司**

TITLE:	PUSH SWITCH / HORIZONTAL	PART NO.:	AP-22F06L & AP-22F12N
DR:	Ricky 2015/03/31	DWG NO.:	ADL-22F0612
CHKD:	Ricky 2015/03/31	SCALE	SHEET
APPD:		5:2	1/1
		REV.	CUSTOMER DRAWING
		A	