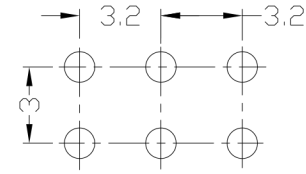
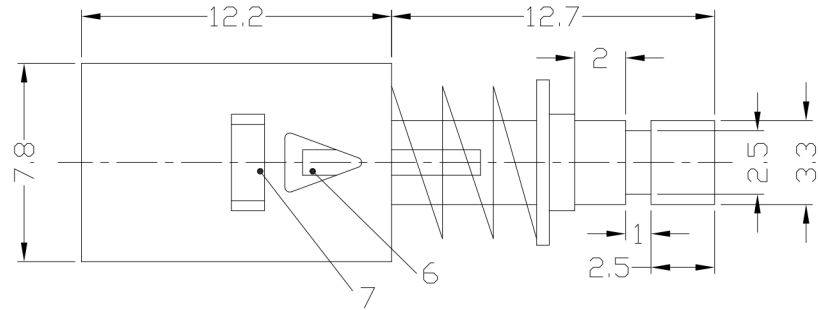




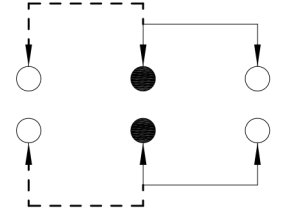
RoHS  
Compliant  
2002/95/EC

REV.	ECN.	NO.	APPD.

### DIMENSIONS



P.C.B LAYOUT  
BOTTOM VIEW

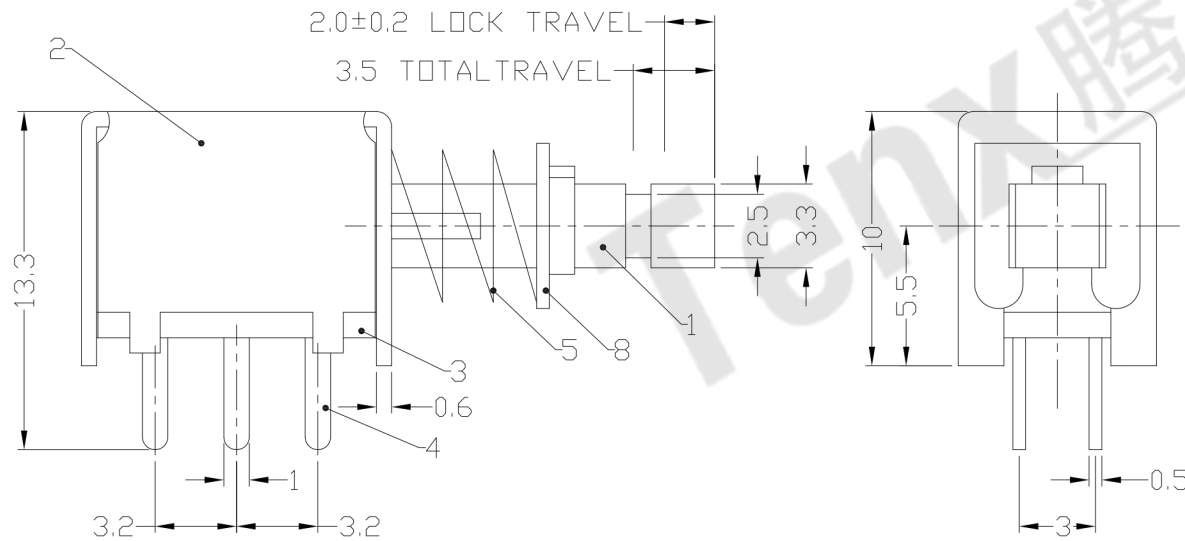


CIRCUIT DIAGRAM

### ELECTRO-MECHANICAL CHARACTERISTICS

Refer to additional specifications

RATING	0.3A 50V DC
CIRCUIT	2P2T
CONTACT RESISTANCE	100mΩ MAX.
TIMING	NON-SHORTING
OPERATING MODE	SELF-LOCK
STROKE	FULL 3.5mm   LOCK 2.0mm
OPERATING FORCE	250±100gf
OPERATING LIFE(cycles)	10,000



9	CLIP	PBS	2	Ag PLATED
8	BLOCK	MILD STEEL	1	Ni PLATED
7	SPRING PLATE	PBS	1	NATURAL
6	CAM STICK	BRASS	1	Ni PLATED
5	SPRING	SUS	1	Ni PLATED
4	TERMINAL	BRASS	6	Ag PLATED
3	TERMINAL CASE	PHENOLIC RESIN	1	NATURAL
2	COVER	MILD STEEL	1	Ni PLATED
1	KNOB	PBT	1	BLACK
NO.	PARTS	MATERIAL	Q'TY	FINISHING

WITHIN 1.5mm: ±0.1mm	UNITS mm
OVER 1.5mm: ±0.2mm	MAT'L
	SEE NOTE
	FINISH
	SEE NOTE
	Q'TY

东莞市腾兴电子有限公司

TITLE: <b>PUSH SWITCH / HORIZONTAL</b>	PART NO.: AP-22F11L
DR: <i>Ricky</i> 2017/05/12	DWG NO.: AZJ-22F11
CHKD: <i>Ricky</i> 2017/05/12	SCALE SHEET REV. CUSTOMER 3:1 1/1 A DRAWING
APPD:	

THESE DRAWINGS AND SPECIFICATIONS ARE THE PROPERTY OF ACCURATE INNOVATECH INC AND SHALL NOT BE REPRODUCED, COPIED OR USED IN ANY MANNER WITHOUT THE PRIOR WRITTEN CONSENT OF ACCURATE INNOVATECH INC.