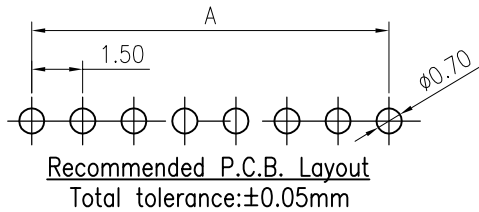
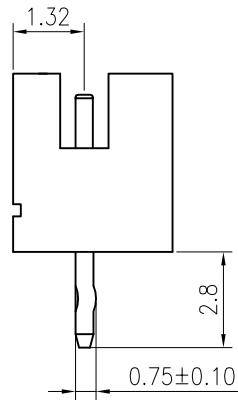
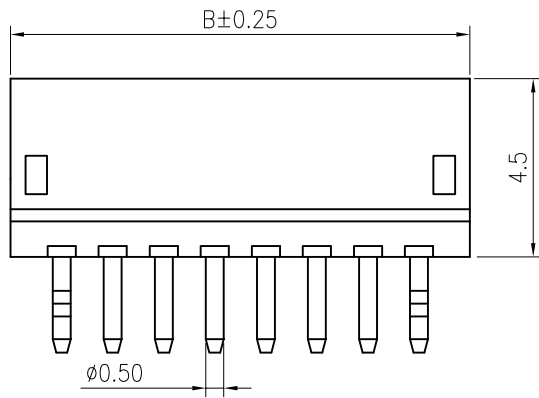
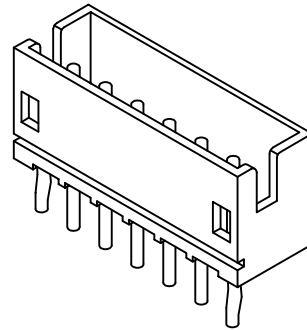
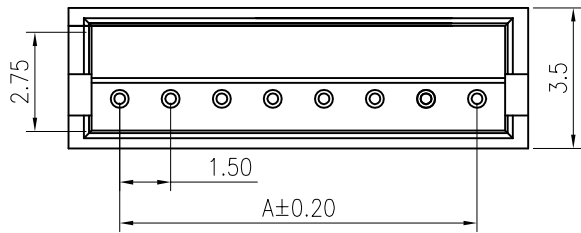


RoHS
COMPLIANT



◆SPECIFICATIONS

- Current rating: 1A AC, DC
- Voltage rating: 100V AC,DC
- Temperature range: -40°C ~ +105°C
- Insulation resistance: 500MΩ Min.
- Withstanding voltage: 500V AC/ minute.
- Contact resistance: 20mΩ Max.

Material:

Insulator: PA66 or PA46 UL 94V-0

Contact: Brass

Plating: Tin plated over nickel

Circuits: 2~13

Mates With KR1501 series Housing

Ordering Code:

C1501VD *** ** T0101PA

No.of Circuits

102:2P,113:13P

Insulator Material

07:PA46 Natural

19:PA66 Grey

PIN NO.	DIMENSIONS		PIN NO.	DIMENSIONS	
	A	B		A	B
02P	1.50	4.50	08P	10.50	13.50
03P	3.00	6.00	09P	12.00	15.00
04P	4.50	7.50	10P	13.50	16.50
05P	6.00	9.00	11P	15.00	18.00
06P	7.50	10.50	12P	16.50	19.50
07P	9.00	12.00	13P	18.00	21.00



MARK

更改料号及图框格式

Ru yi

2020.3.10

TOLERANCE

X. X ±0.30

X. XX ±0.20

X. XXX ±0.10

Angle ±2°

TITLE:

ZH1.5 DIP 180°

Wafer打K

DRAWN: ru yi 2020.03.10

CHECKED:

APPROVED:

UNIT: mm

SCALE: N/A

SHEET: 1/1

PROJECTION

东莞市腾兴电子有限公司

PART NO.: C1501VD*****T0101PA

REV.: A2

DRAWING NO.: 1501WD101-A-S