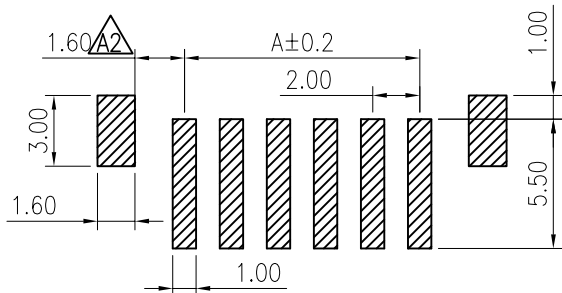
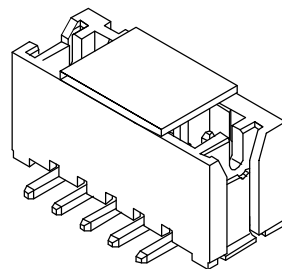


RoHS
COMPLIANT



P.C.B. LAYOUT



带吸盖

◆ SPECIFICATIONS

- Current rating: 2A AC, DC
- Voltage rating: 100V AC, DC
- Temperature range: -40°C ~ +105°C
- Insulation resistance: 1000MΩ Min.
- Withstanding voltage: 800V AC/ minute.
- Contact resistance: 20mΩ Max.

Material:

Insulator: Nylon 9T/LCP UL 94V-0

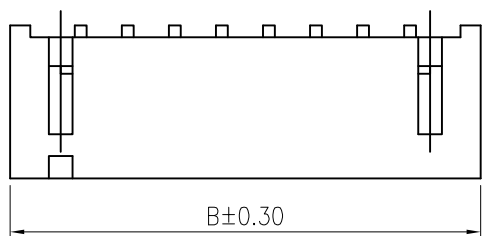
Contact: Brass

Solder Nail: Brass

Plating: Tin plated over Nickel

Circuits: 2~16

Mate: KR2001 series Housing



C2001VS1**11 *** 01RC

02: 2P

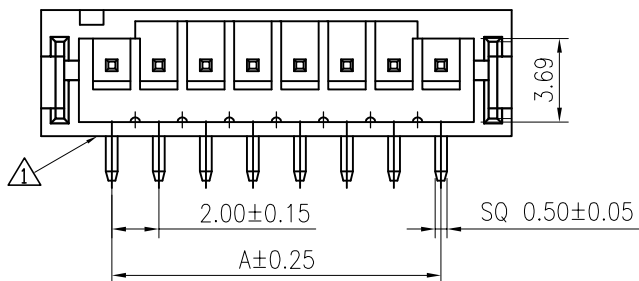
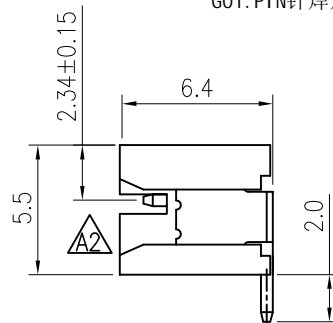
16: 16P

11: PA9T本色

13: LCP本色

M01: 雾锡

G01: PIN针焊片镀漂金



PIN NO.	DIMENSIONS	
	A	B
02P	2.00	8.00
03P	4.00	10.00
04P	6.00	12.00
05P	8.00	14.00
06P	10.00	16.00
07P	12.00	18.00
08P	14.00	20.00
09P	16.00	22.00
10P	18.00	24.00
11P	20.00	26.00
12P	22.00	28.00
13P	24.00	30.00
14P	26.00	32.00
15P	28.00	34.00
16P	30.00	36.00



F



更正P.C.B Layout 尺寸及视图

Arvin

2020.6.16



更改料号及图框格式

Ru yi

2020.3.10

MARK

REVISION DESCRIPTION

SIGNATURE

DATE

TOLERANCE

X.X ±0.30

X.XX ±0.20

X.XXX ±0.10

Angle ±2°

TITLE:

PH 2.0 SMT 180° Wafer

UNIT: mm

SCALE: N/A

DRAWN: ru yi 2020.03.10

CHECKED:

APPROVED:

SHEET: 1/1

PROJECTION

东莞市腾兴电子有限公司

PART NO.: C2001VS1**11 *** 01RC

REV.: A2 DRAWING NO.: 2001WS101-C-S

1

2

3

4

5

6

7

8

9