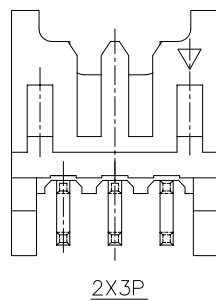
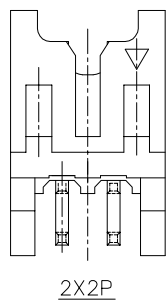
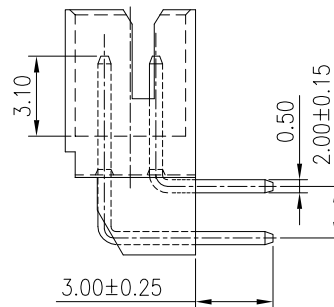
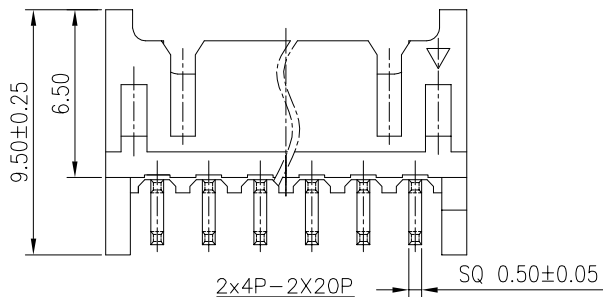
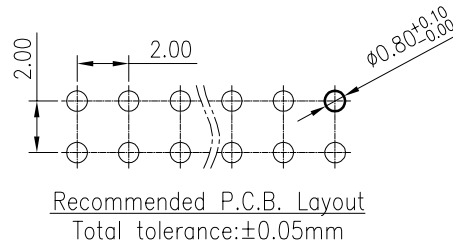
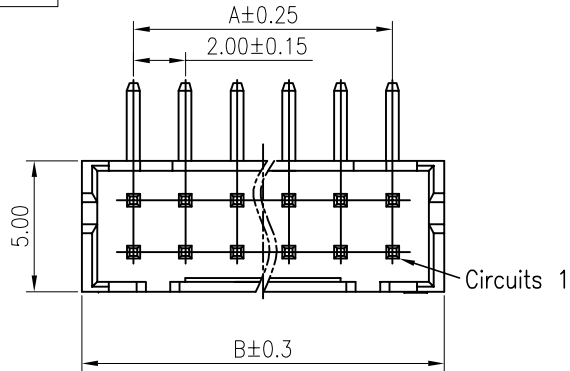


RoHS
COMPLIANT



SPECIFICATIONS

1. Current rating: 3A AC, DC
2. Voltage rating: 250V AC, DC
3. Temperature range: -40°C ~ +105°C
4. Insulation resistance: 1000MΩ Min.
5. Withstanding voltage: 800V AC/ minute.
6. Contact resistance: 20mΩ Max.

Material:

Insulator: PA66 UL 94V-0

Contact: Brass

Plating: Tin plated over Nickel

Mate with KR2005 series housing

Ordering Code:

C2005RD * ** T01 01 PB**

No. of Circuits

202:2x2,220:2x20

Insulator Material

19:PA66 Grey

Circuits	Dimensions		Circuits	Dimensions	
	A	B		A	B
2x2	2.00	6.00	2x12	22.00	26.00
2x3	4.00	8.00	2x13	24.00	28.00
2x4	6.00	10.00	2x14	26.00	30.00
2x5	8.00	12.00	2x15	28.00	32.00
2x6	10.00	14.00	2x16	30.00	34.00
2x7	12.00	16.00	2x17	32.00	36.00
2x8	14.00	18.00	2x18	34.00	38.00
2x9	16.00	20.00	2x19	36.00	40.00
2x10	18.00	22.00	2x20	38.00	42.00
2x11	20.00	24.00			



更改料号及图框格式

LJT

2020.04.21

TOLERANCE

X. X ±0.30

X. XX ±0.20

X. XXX ±0.10

Angle ±2°

TITLE:
PHD 2.0 DIP 90°
Wafer

DRAWN: Liujiangtian 2020.4.21

CHECKED:

APPROVED:

UNIT: mm

SCALE: N/A

SHEET: 1/1

PROJECTION

东莞市腾兴电子有限公司

PART NO.: C2005RD***19T0101PB

REV.: A2

DRAWING NO.: 2005WRD201-B-S

1

2

3

4

5

6

7

8

9