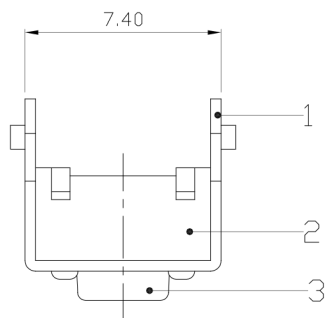




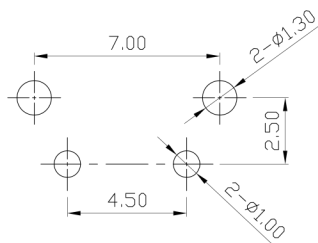
RoHS Compliant
2002/95/EC

REV.	ECN.	NO.	APPD.

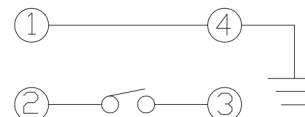
DIMENSIONS



P.C.B MOUNTING PATTERN DIMENSION



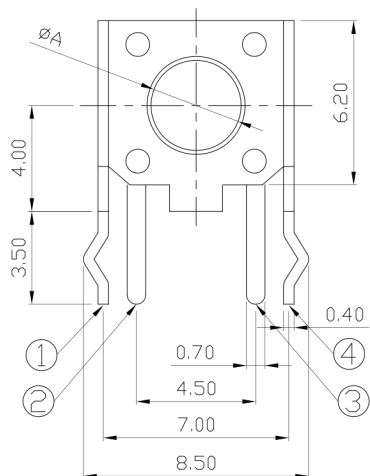
CIRCUIT DIAGRAM



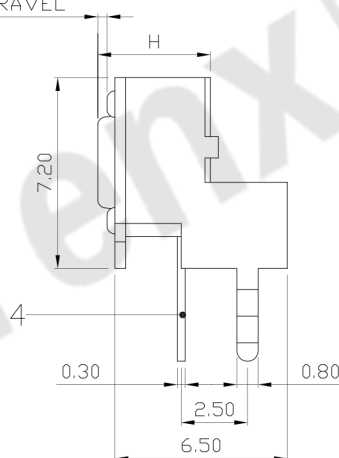
MODEL CODE

AT-1102L-

	H	φA
-	4.3	3.5
A	5.0	3.4
B	7.0	3.3
E	7.3	3.3
C	8.0	3.3
Q	6.0	3.4
D	9.5	3.3
F	12.5	3.3
FL	13.0	3.0
G	13.5	3.0
I	17.0	3.0



0.25±0.1mm TRAVEL



ELECTRO-MECHANICAL CHARACTERISTICS

Refer to additional specifications

Rating	DC 12V 50mA
Contact Resistance	100mΩ Max.
Travel	0.25±0.1mm
Operating Force	100/130/160±50gf 250/320±100gf
Operating Life(cycles)	100,000

NO.	PARTS	MATERIAL	Q'TY	FINISHING
5	CONTACT	PBS C5210R-EH	1	Ag CLAD
4	TERMINAL	BRASS STRIP	2	Ag PLATED
3	KNOB	PBT+F.G/NYLON+F.G	1	BLACK
2	CASE	PBT+F.G/NYLON+F.G	1	BLACK
1	FRAME	STEEL STRIP	1	Ni PLATED

WITHIN 1.5mm:±0.1mm	UNITS mm
OVER 1.5mm:±0.2mm	MAT'L SEE NOTE
	FINISH SEE NOTE
	Q'TY

THESE DRAWINGS AND SPECIFICATIONS ARE THE PROPERTY OF ACCURATE INNO TECH INC AND SHALL NOT BE REPRODUCED, COPIED OR USED IN ANY MANNER WITHOUT THE PRIOR WRITTEN CONSENT OF ACCURATE INNO TECH INC.



东莞市腾兴电子有限公司

TITLE: TACT SWITCH	PART NO.: AT-1102L SERIES
DR: Ricky 2017/08/03	DWG NO.: AZJ-1102L
CHKD: Ricky 2017/08/03	SCALE SHEET REV. CUSTOMER DRAWING
APPD:	4:1 1/1 A